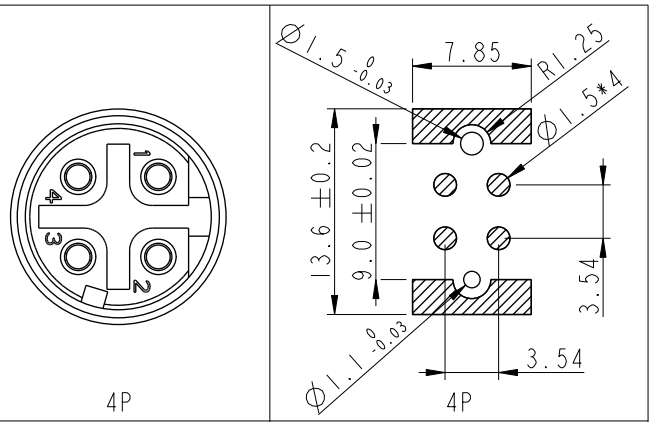
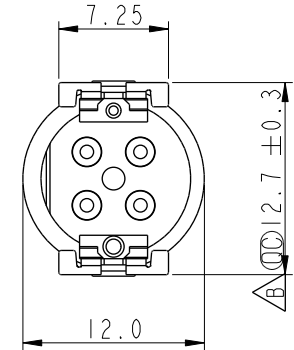
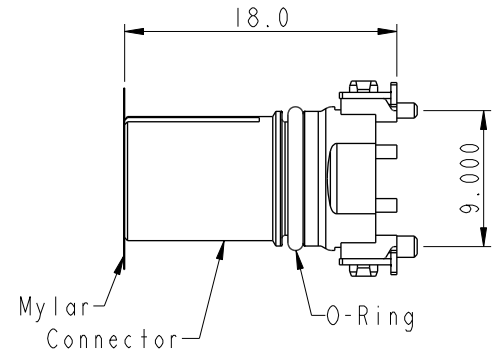


REV.	ECN NO.	DATE	SIGN	DESCRIPTION
A		2020/09/28	Yuwei Chou	Rev.01 To Rev.A
B	C210309	2021/03/03	Ruru	$\triangle B$ X5

$\triangle B$
M12D-XXPFFT-EE0001
XX: No. Of Pin



- $\triangle B$ Note:
- * RoHS Compliant
 - * \odot Important dimension
 - * Waterproof rate: Non-Waterproof
 - * Connector Housing: Thermoplastic, Black
 - * Pin: Copper alloy, Gold plated
 - * O-Ring: Rubber, Black
 - * Mylar: PI, Amber

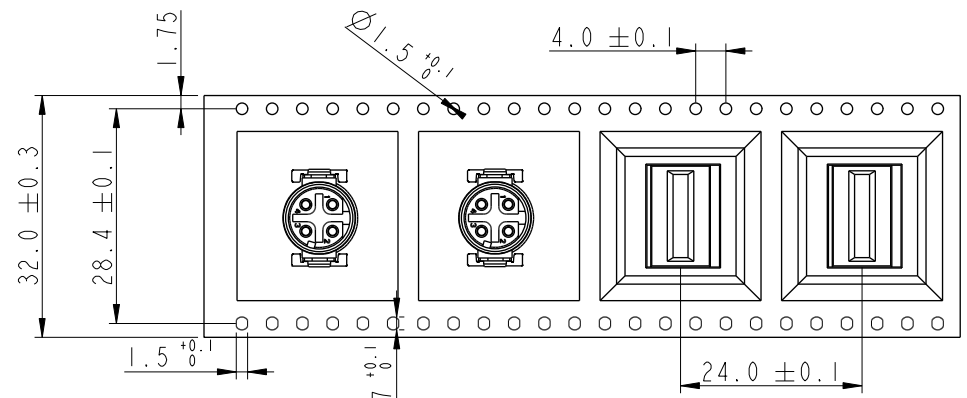
UNIT:mm	\odot	∇	TITLE N SEN, M12 D, NONE RECEPTACLE, F, F, PCB SMT $\triangle B$		
TOLERANCE .X ±0.25 .XX ±0.1 .XXX ±0.05 ANGLES ±1°	SCALE Free	SIZE A4	SHEET 1	OF 3	REV. B
		WC-REV. A.1	\odot : Inspection item		

Amphenol LTW
安費諾亮泰企業股份有限公司

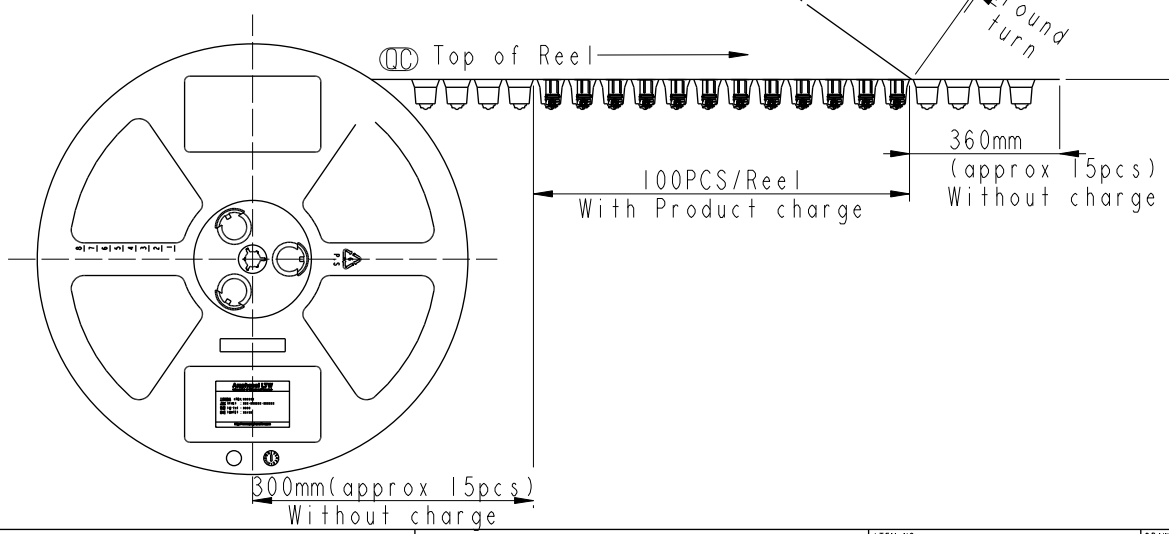
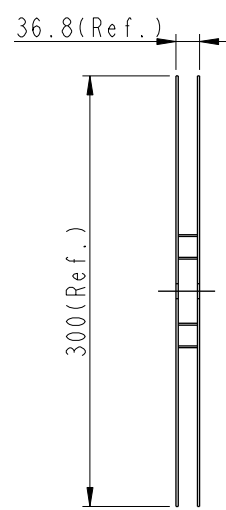
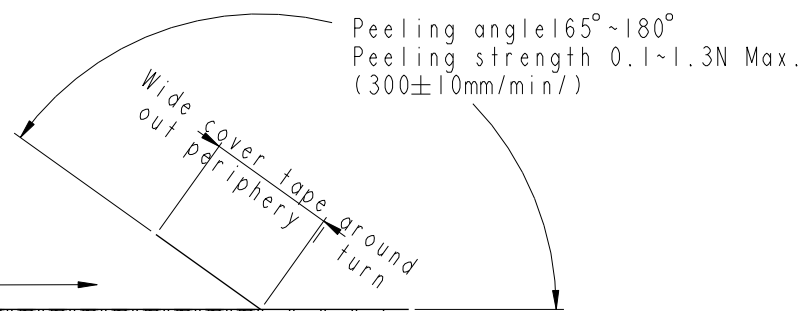
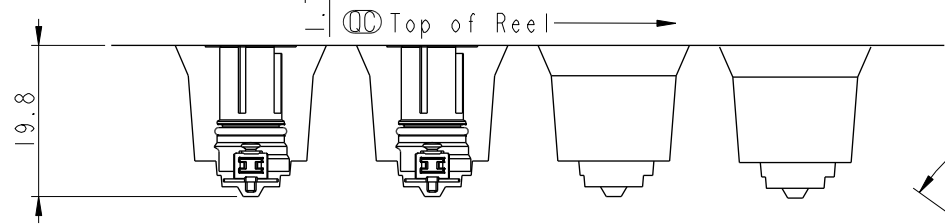
ITEM NO	DRAWN BY Yuwei Chou	DATE 2020-09-28
DWG NO M12D-XXPFFT-EE0001	CHECKED BY Aric Ko	DATE 2020-09-28
CUSTOMER ALTW	APPROVED BY Max Yang	DATE 2020-09-28

THIS DOCUMENT IS SUBJECT TO CHANGE WITHOUT NOTICE. IT IS CONFIDENTIAL AND A PROPERTY OF AMPHENOL LTW. DISCLOSURE TO THIRD PARTY HAS TO BE AUTHORIZED BY AMPHENOL LTW.

THIS DOCUMENT IS SUBJECT TO CHANGE WITHOUT NOTICE. IT IS CONFIDENTIAL AND A PROPERTY OF Amphenol LTW. DISCLOSURE TO THIRD PARTY HAS TO BE AUTHORIZED BY Amphenol LTW.



NOTE:
 * Connector Orient follow Drawing



UNIT: mm		
TOLERANCE	.X	±0.25
	.XX	±0.1
	.XXX	±0.05
ANGLES		±1°

TITLE N SEN, M12 D, NONE RECEPTACLE, F, F, PCB SMT			
SCALE	FREE	SIZE	A4
SHEET	2	OF	3
REV.	B	WC-REV.	A.1

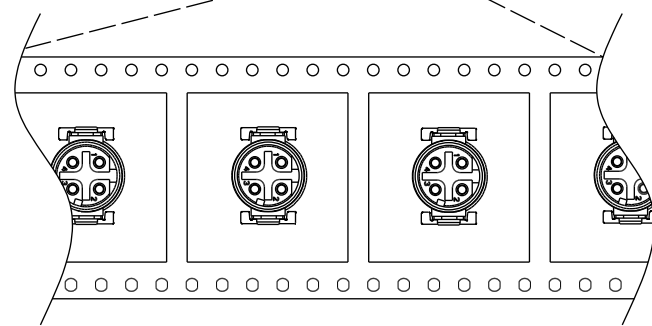
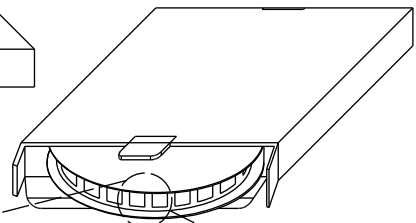
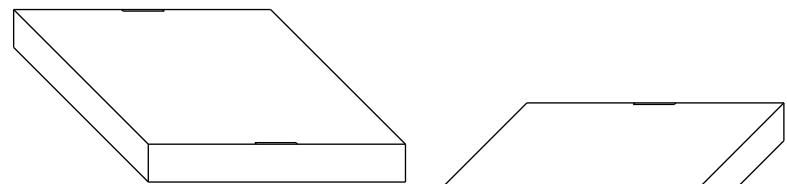
Amphenol LTW
 安費諾亮泰企業股份有限公司

ITEM NO	
DWG NO	M12D-XXPFFT-EE0001
CUSTOMER	ALTW

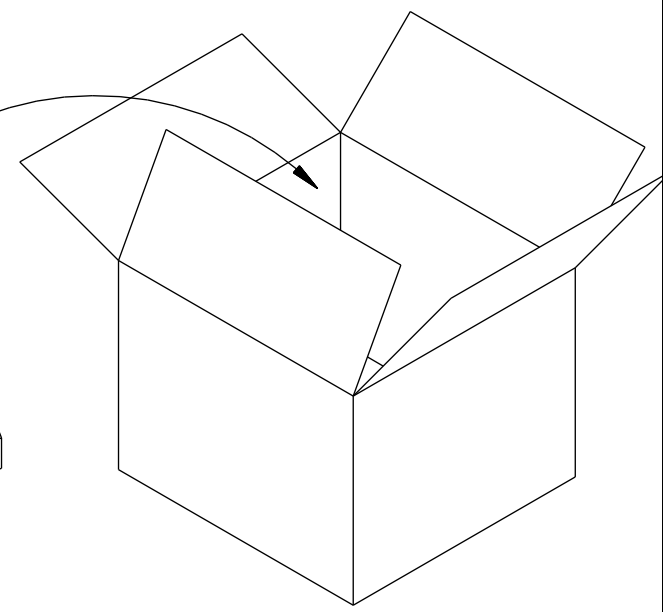
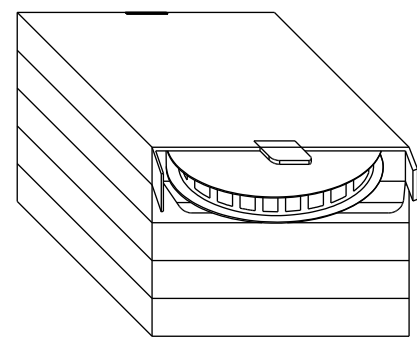
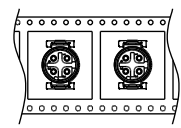
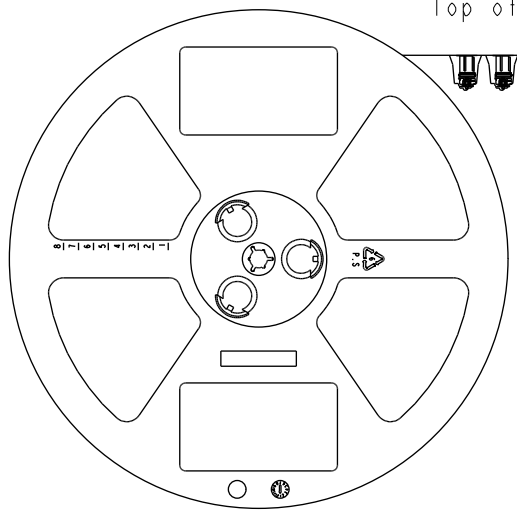
DRAWN BY	Yuwei Chou
CHECKED BY	Aric Ko
APPROVED BY	Max Yang

DATE	2020-09-28
DATE	2020-09-28
DATE	2020-09-28

THIS DOCUMENT IS SUBJECT TO CHANGE WITHOUT NOTICE. IT IS CONFIDENTIAL AND A PROPERTY OF AMPHENOL LTW. DISCLOSURE TO THIRD PARTY HAS TO BE AUTHORIZED BY AMPHENOL LTW.

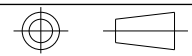


Top of Reel →



Note:
 100 PCS(Connector)/Tape&Reel Put in a Box
 5PCS(Max.) Box Put in a Carton

UNIT: mm



TITLE N SEN, M12 D, NONE RECEPTACLE, F, F, PCB SMT			
SCALE FREE	SIZE A4	SHEET 3 OF 3	
REV. B	WC-REV. A.1	QC: Inspection item	

Amphenol LTW

安費諾亮泰企業股份有限公司

ITEM NO	DRAWN BY Yuwei Chou	DATE 2020-09-28
DWG NO M12D-XXPFPT-EE0001	CHECKED BY Aric Ko	DATE 2020-09-28
CUSTOMER ALTW	APPROVED BY Max Yang	DATE 2020-09-28