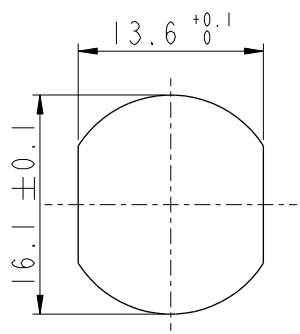
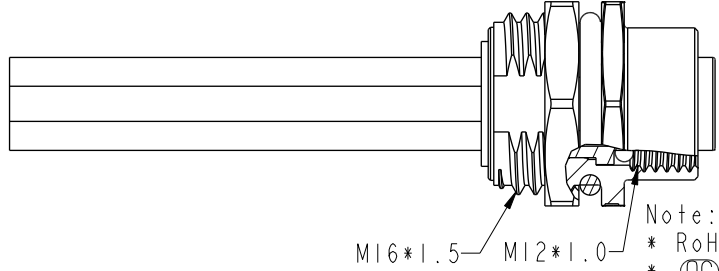
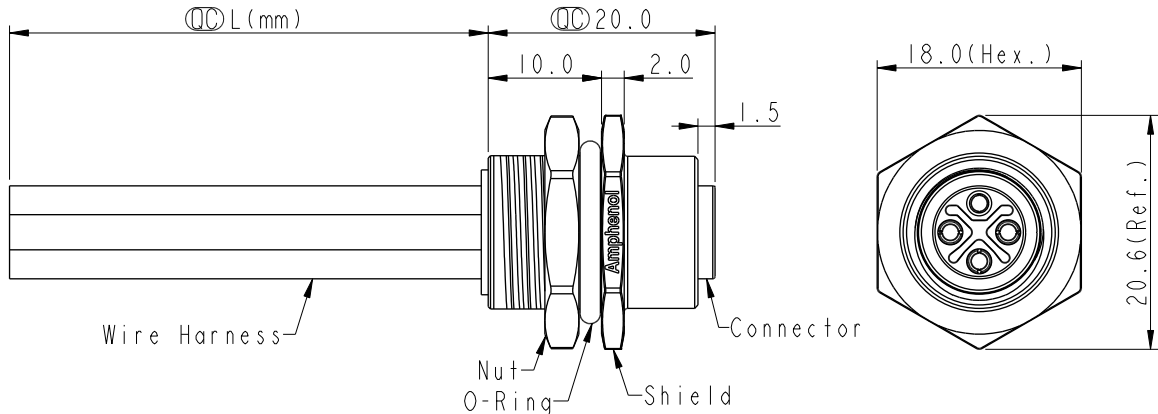
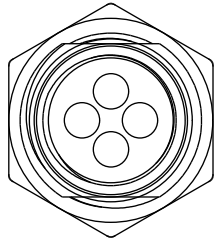


THIS DOCUMENT IS SUBJECT TO CHANGE WITHOUT NOTICE. IT IS CONFIDENTIAL AND A PROPERTY OF Amphenol LTW. DISCLOSURE TO THIRD PARTY HAS TO BE AUTHORIZED BY Amphenol LTW.

REV.	ECN NO.	DATE	SIGN	DESCRIPTION
B	C191643	2019/09/19	Vicky	Update Wire Tolerance
C	C201453	2020/10/14	Ruru	$\triangle C$ X4
D	C210593	2021/04/16	Ruru	$\triangle D$ X2

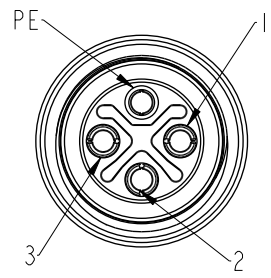


Recommended Panel Cut-Out



PE	Black	黑
3	Blue	藍
2	White	白
1	Brown	棕

Pin #	Wire	Pin Out
3	Blue	Blue
2	White	White
1	Brown	Brown



3+PE
Pin Assignments Front View

$\triangle B \triangle C \triangle D$
M12S-XXPFFS-SH8CXX

XX:No. Of Pin
 15:150mm
 20:200mm
 95:950mm
 Cable Pitch Unit:50mm
 A0:1000mm
 A5:1500mm
 Cable Pitch Unit:100mm
 Wire Length(L):150~1500mm

- Note: $\triangle B \triangle C \triangle D$
- * RoHS Compliant
 - * ⌀ Important dimension
 - * Waterproof rate: IPX8, unmated 1m/24h
 - * Connector
 - Housing: Thermoplastic, Black
 - Pin: Copper alloy, Gold plated
 - O-Ring: Rubber, Green
 - * Shield: Metal
 - * Nut: Metal
 - * O-Ring: Rubber, Black
 - * Wire harness: UL1015, 16AWG
 - * For panel thickness max: 4.5mm
 - * O-Ring and nut are assembled on connectors
 - * Wire harness tolerance: 100mm: ±10mm
 100mm < L ≤ 300mm: ±15mm
 300mm < L ≤ 1000mm: ±20mm
 1000mm < L ≤ 1500mm: ±50mm

UNIT:mm	⌀	⌀
TOLERANCE	.X	±0.25
	.XX	±0.1
	.XXX	±0.05
ANGLES		±1°

TITLE N SEN, M12 S, SCREW RECEPTACLE, F, F, SOLDER $\triangle C$			
SCALE	2:1	SIZE	A4
SHEET	1	OF	1
REV.	D	WC-REV.	A.1
⌀ : Inspection item			

Amphenol LTW
安費諾亮泰企業股份有限公司

ITEM NO	DWG NO	CHECKED BY	DATE
	$\triangle C$ M12S-XXPFFS-SH8CXX	Rita	2019-09-19
CUSTOMER	APPROVED BY	DATE	
ALTW	Max	2019-09-19	