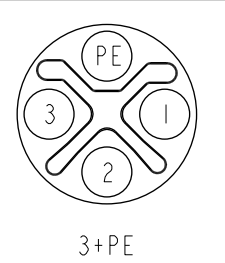
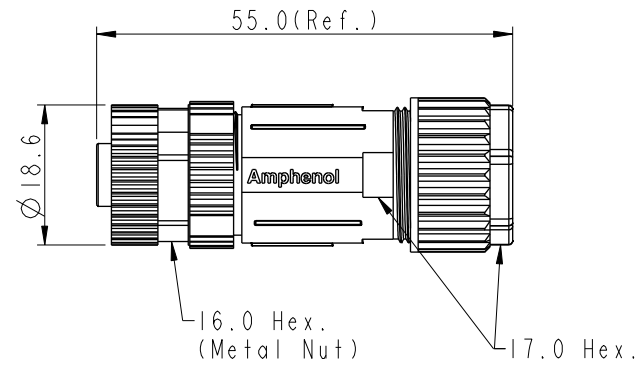
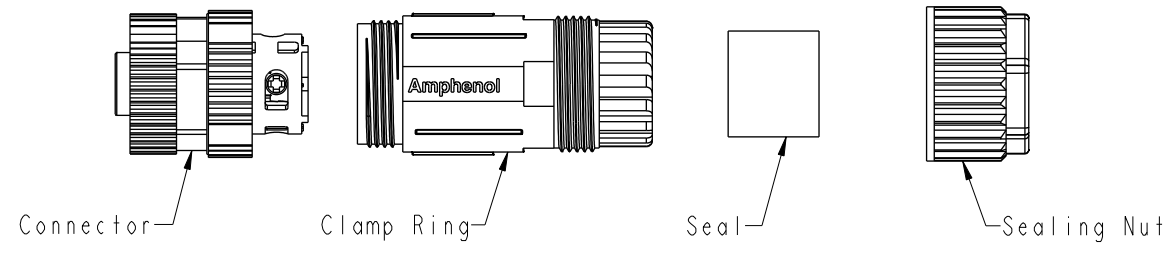


THIS DOCUMENT IS SUBJECT TO CHANGE WITHOUT NOTICE. IT IS CONFIDENTIAL AND A PROPERTY OF Amphenol LTW. DISCLOSURE TO THIRD PARTY HAS TO BE AUTHORIZED BY Amphenol LTW.

REV.	ECN NO.	DATE	SIGN	DESCRIPTION
B	LEN16A0156	2016/10/18	Yulong_wang	Change the Note
C	C201469	2020/09/25	Ruru	$\triangle C$ X4
D	C210561	2021/04/19	Vicky	$\triangle D$ XI

$\triangle C$
MI2S-XXBFFB-SL7002

XX: No. Of Pin



Pin Assignments
Front View

- $\triangle C$ $\triangle D$
Note:
- * RoHS Compliant
 - * $\text{\textcircled{C}}$ Important Dimension
 - * Waterproof rate: IPX7, mated
 - * Connector
 - $\triangle B$ Housing: Thermoplastic, Black
 - Pin: Copper alloy, Gold plated
 - Extension Nut: Thermoplastic, Black
 - Nut: Metal
 - O-Ring: Rubber, Gray
 - * Clamp Ring: Thermoplastic, Black
 - * Sealing Nut: Thermoplastic, Black
 - * Seal: Rubber, Gray, OD: $\varnothing 8.0\text{mm} \sim \varnothing 10.0\text{mm}$
 - * One set unassembled in one pe bag

UNIT:mm	$\text{\textcircled{C}}$	$\text{\textcircled{D}}$	TITLE N SEN, MI2 S, SCREW CABLE W/O SR, F, F, FI SCREW IN	
TOLERANCE	± 0.25	± 0.1	SCALE 1:1	SIZE A4
.X	± 0.1	± 0.05	REV. D	WC-REV. A.2
.XX	± 0.05	$\pm 1^\circ$	SHEET 1 OF 1	
.XXX			$\text{\textcircled{C}}$: Inspection item	
ANGLES				

Amphenol LTW
安費諾亮泰企業股份有限公司

ITEM NO	DRAWN BY Yulong_wang	DATE 2016-10-18
DWG NO $\triangle A$ MI2S-XXBFFB-SL7002	CHECKED BY Jinhai	DATE 2016-10-18
CUSTOMER ALTW	APPROVED BY Jerry	DATE 2016-10-18