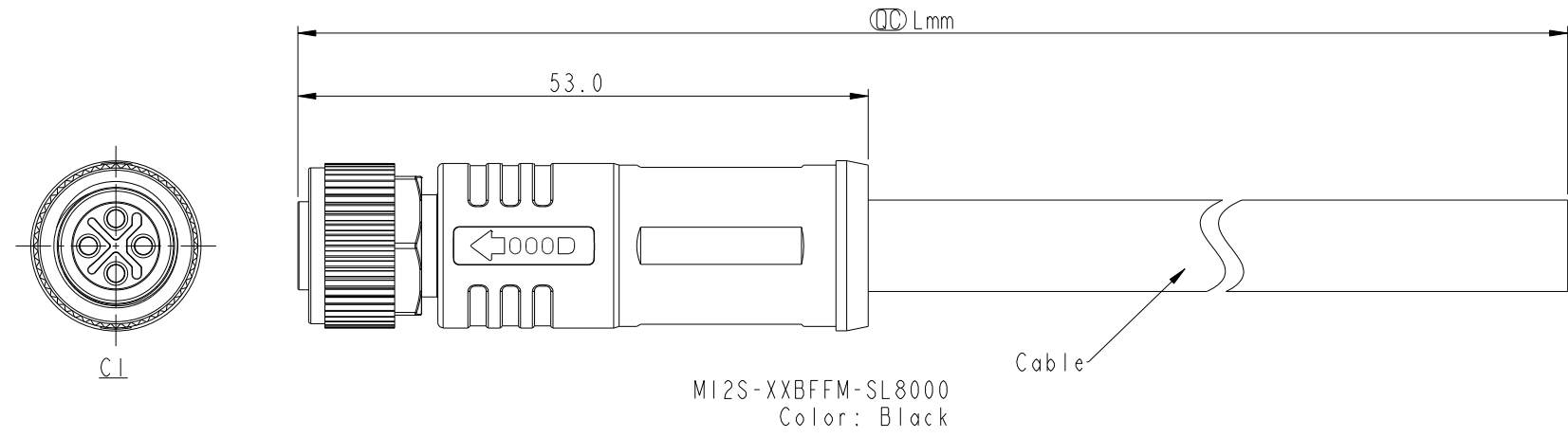
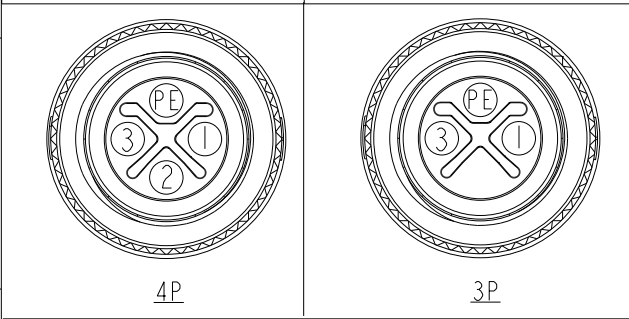


THIS DOCUMENT IS SUBJECT TO CHANGE WITHOUT NOTICE. IT IS CONFIDENTIAL AND A PROPERTY OF Amphenol LTW. DISCLOSURE TO THIRD PARTY HAS TO BE AUTHORIZED BY Amphenol LTW.

REV.	ECN NO.	DATE	SIGN	DESCRIPTION
A	initial release	2021/10/08	Li Dai	Rev.01 to Rev.A
B	C211619	2021/12/16	Li Dai	XI



PE Yellow/Green 黄/绿	PE Yellow/Green 黄/绿
3 Blue 蓝	3 Blue 蓝
2 White 白	2 --
1 Brown 棕	1 Brown 棕
Pin#	Wire



Pin Assignments Front View

MI2S-XXBFFM-SL8GXX

XX: 01~99Meters  
 01: 01Meter  
 :  
 99: 99Meters  
 XX: Number of Pin

Note:  
 \* RoHS Compliant  
 \* Important Dimension to Check  
 \* Waterproof Rate: IPX8, Mated 1m/24h  
 \* Connector:  
 Housing: Thermoplastic, Black  
 Pin: Copper Alloy, Gold Plated  
 Nut: Metal  
 Outer Mold: Thermoplastic, Black  
 \* Cable UL2586, PVC Jacket, Black.  
 \* Cable Length Tolerance: 01M: +50/-0mm

1M < L ≤ 3M: +100/-0 mm
3M < L ≤ 5M: +150/-0 mm
5M < L ≤ 10M: ±100 mm
10M < L ≤ 20M: ±200 mm
20M < L ≤ 30M: ±300 mm
30M < L ≤ 99M: ±500 mm

UNIT:mm			TITLE MI2 S-CODE, STRAIGHT, FEMALE CONN +CABLE, Metal nut
TOLERANCE ±0.5mm	SCALE 3:2	SIZE A4	SHEET 1 OF 1
REV. B	WC-REV. .0	: Inspection item	

**Amphenol LTW**  
 安費諾亮泰企業股份有限公司

ITEM NO	DRAWN BY Li Dai	DATE 2021-10-08
DWG NO MI2S-XXBFFM-SL8GXX	CHECKED BY Fisher Wang	DATE 2021-10-08
CUSTOMER ALTW	APPROVED BY Max Yang	DATE 2021-10-08