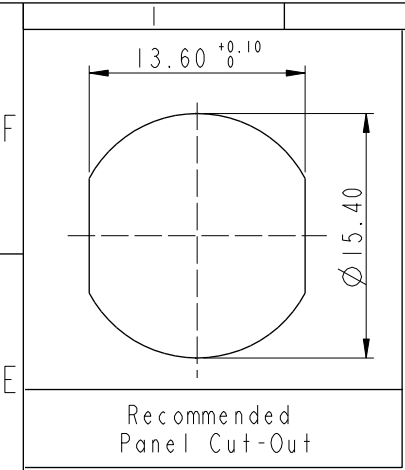
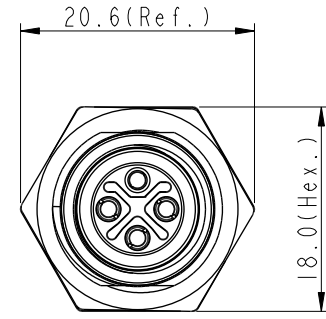
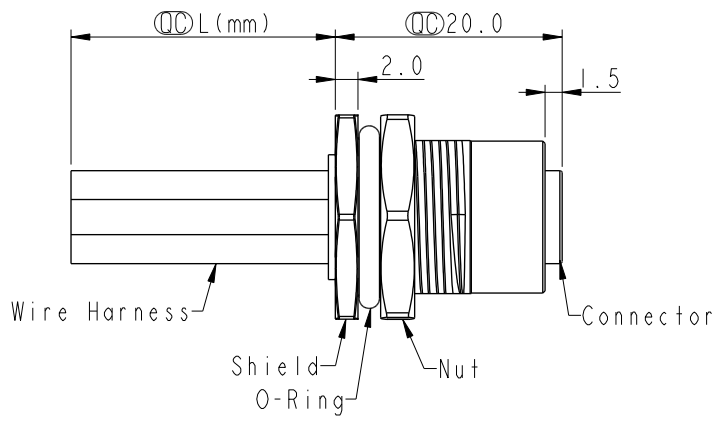
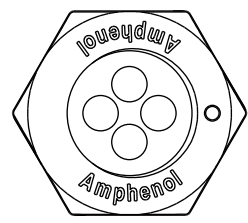


THIS DOCUMENT IS SUBJECT TO CHANGE WITHOUT NOTICE. IT IS CONFIDENTIAL AND A PROPERTY OF Amphenol LTW. DISCLOSURE TO THIRD PARTY HAS TO BE AUTHORIZED BY Amphenol LTW.

REV.	ECN NO.	DATE	SIGN	DESCRIPTION
B	C191643	2019/09/18	Vicky	Update Wire Tolerance
C	C201453	2020/10/14	Ruru	$\triangle C$ X4
D	C210593	2021/04/16	Ruru	$\triangle D$ X2

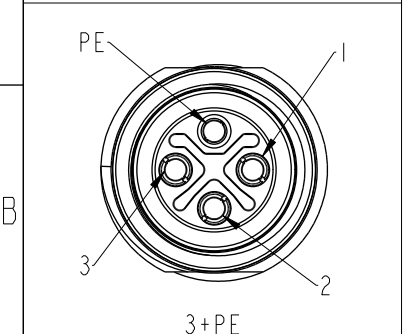


Recommended Panel Cut-Out



PE	Black	黑
3	Blue	藍
2	White	白
1	Brown	棕

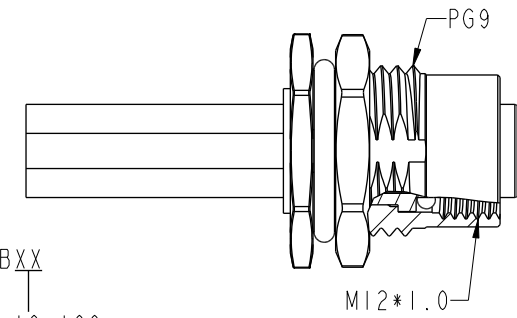
Pin #	Wire	Pin Out
-------	------	---------



3+PE

Pin Assignments Front View

$\triangle B \triangle C \triangle D$   
 M12S-XXPFFS-SF8BXX  
 XX:No. Of Pin



- 10: 100mm
- 15: 150mm
- 20: 200mm
- 95: 950mm
- Cable Pitch Unit: 50mm
- A0: 1000mm
- A5: 1500mm
- Cable Pitch Unit: 100mm
- Wire Length(L): 150~1500mm

- Note:  $\triangle B \triangle C \triangle D$
- \* RoHS Compliant
  - \*  $\text{CC}$  Important dimension
  - \* Waterproof rate: IPX8, unmated 1m/24h
  - \* Connector
  - Housing: Thermoplastic, Black
  - Pin: Copper alloy, Gold plated
  - O-Ring: Rubber, Green
  - \* Shield: Metal
  - \* Nut: Metal
  - \* O-Ring: Rubber, Black
  - \* Wire harness: UL1015, 16AWG
  - \* For panel thickness max: 4.5mm
  - \* O-Ring and nut are assembled on connectors
  - \* Wire harness tolerance: 100mm:  $\pm 10$ mm
  - 100mm < L  $\leq$  300mm:  $\pm 15$ mm
  - 300mm < L  $\leq$  1000mm:  $\pm 20$ mm
  - 1000mm < L  $\leq$  1500mm:  $\pm 50$ mm

UNIT: mm		
TOLERANCE	.X $\pm 0.25$	
	.XX $\pm 0.1$	
	.XXX $\pm 0.05$	
ANGLES	$\pm 1^\circ$	

TITLE N SEN, M12 S, SCREW RECEPTACLE, F, F, SOLDER $\triangle C$			
SCALE 2:1	SIZE A4	SHEET 1 OF 1	
REV. D	WC-REV. A.4	$\text{CC}$ : Inspection item	

**Amphenol LTW**  
 安費諾亮泰企業股份有限公司

ITEM NO	DRAWN BY Vicky	DATE 2019-09-18
DWG NO $\triangle C$ M12S-XXPFFS-SF8BXX	CHECKED BY Rita	DATE 2019-09-18
CUSTOMER ALTW	APPROVED BY Max	DATE 2019-09-18