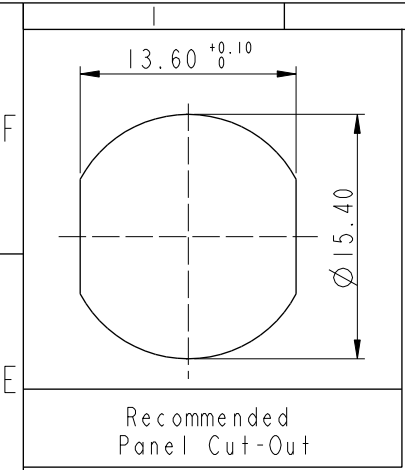
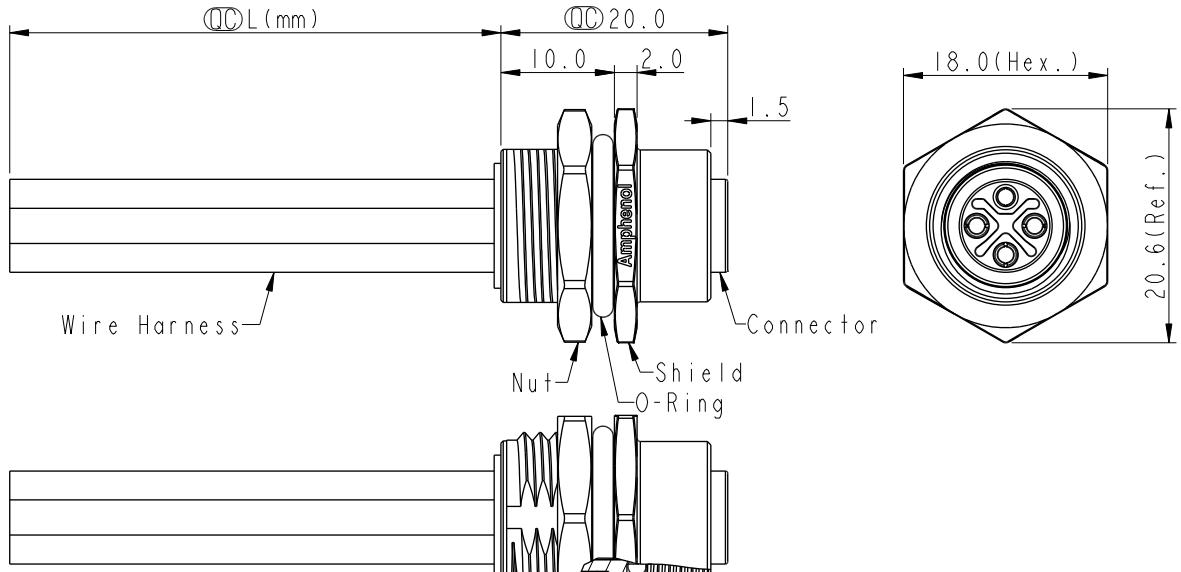
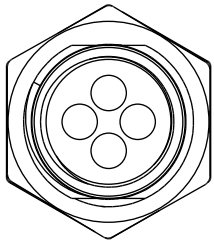


THIS DOCUMENT IS SUBJECT TO CHANGE WITHOUT NOTICE. IT IS CONFIDENTIAL AND A PROPERTY OF Amphenol LTW. DISCLOSURE TO THIRD PARTY HAS TO BE AUTHORIZED BY Amphenol LTW.

REV.	ECN NO.	DATE	SIGN	DESCRIPTION
B	C191643	2019/09/19	Vicky	Update Wire Tolerance
C	C201453	2020/10/14	Ruru	$\triangle C$ X4
D	C210593	2021/04/16	Ruru	$\triangle D$ X2

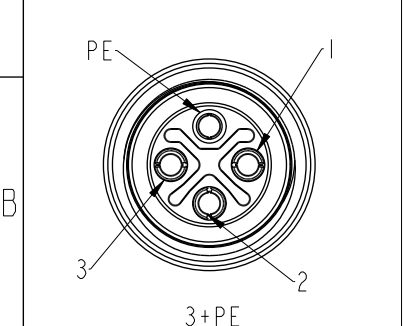


Recommended Panel Cut-Out



PE	Black	黑
3	Blue	藍
2	White	白
1	Brown	棕

Pin #	Wire	Pin Out
-------	------	---------



Pin Assignments Front View

UNIT:mm		
TOLERANCE	.X ± 0.25	
	.XX ± 0.1	
	.XXX ± 0.05	
ANGLES	$\pm 1^\circ$	

$\triangle B \triangle C \triangle D$
M12S-XXPFFS-SH8BXX
XX:No. Of Pin

- 10:100mm
- 15:150mm
- 20:200mm
- 95:950mm
- Cable Pitch Unit:50mm
- A0:1000mm
- A5:1500mm
- Cable Pitch Unit:100mm
- Wire Length(L):150~1500mm

- Note: $\triangle B \triangle C \triangle D$
- * RoHS Compliant
 - * ϕ Important dimension
 - * Waterproof rate: IPX8, unmated 1m/24h
 - * Connector
 - Housing: Thermoplastic, Black
 - Pin: Copper alloy, Gold plated
 - O-Ring: Rubber, Green
 - * Shield: Metal
 - * Nut: Metal
 - * O-Ring: Rubber, Black
 - * Wire harness: UL1015, 16AWG
 - * For panel thickness max: 4.5mm
 - * O-Ring and nut are assembled on connectors
 - * Wire harness tolerance: 100mm: ± 10 mm
 - 100mm < L \leq 300mm: ± 15 mm
 - 300mm < L \leq 1000mm: ± 20 mm
 - 1000mm < L \leq 1500mm: ± 50 mm

TITLE N SEN, M12 S, SCREW RECEPTACLE, F, F, SOLDER $\triangle C$			
SCALE 2:1	SIZE A4	SHEET 1 OF 1	
REV. D	WC-REV. A.4	ϕ Inspection item	

Amphenol LTW
安費諾亮泰企業股份有限公司

ITEM NO	DRAWN BY Vicky	DATE 2019-09-19
DWG NO $\triangle C$ M12S-XXPFFS-SH8BXX	CHECKED BY Rita	DATE 2019-09-19
CUSTOMER ALTW	APPROVED BY Max	DATE 2019-09-19