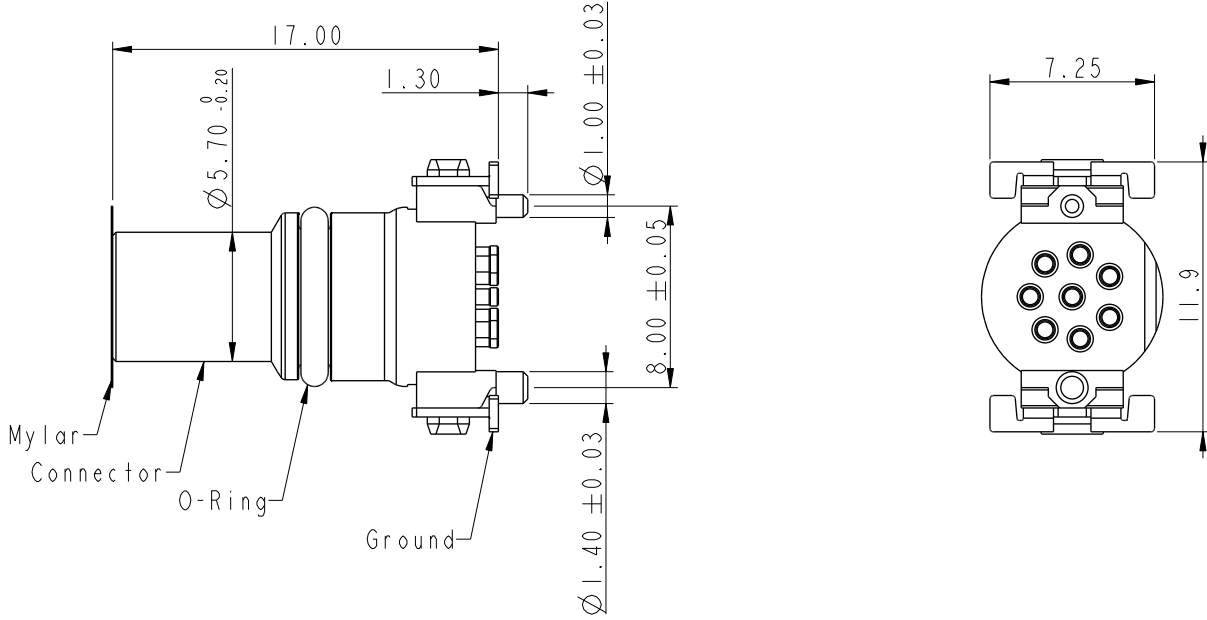


THIS DOCUMENT IS SUBJECT TO CHANGE WITHOUT NOTICE. IT IS CONFIDENTIAL AND A PROPERTY OF Amphenol LTW. DISCLOSURE TO THIRD PARTY HAS TO BE AUTHORIZED BY Amphenol LTW.

REV.	ECN NO.	DATE	SIGN	DESCRIPTION
B	C201549	2020/10/20	Vicky	$\triangle B$ X5
C	C210005	2021/01/07	Roy	$\triangle C$ X2
D	C210686	2021/05/19	Vicky	$\triangle D$ X5



- $\triangle D$ Note:
- * RoHS Compliant
 - * CC Important dimension
 - * Waterproof rate: Non-Waterproof
 - * Connector
 - Housing: Thermoplastic, Black
 - Pin: Copper alloy, Gold plated
 - O-Ring: Rubber, Gray
 - * Spring: Metal
 - * Ground: Metal
 - * Mylar: PI, Amber

UNIT: mm			TITLE N SEN, M8, NONE RECEPTACLE, F, F, PCB SMT	$\triangle D$
TOLERANCE .X ±0.25 .XX ±0.1 .XXX ±0.05 ANGLES ±1°			SCALE 3:1 SIZE A4 SHEET 1 OF 4	
			REV. D WC-REV. A.1	CC : Inspection item

Amphenol LTW
安費諾亮泰企業股份有限公司

ITEM NO	DWG NO $\triangle B$ M8-XXPFFT-EE0001	CUSTOMER ALTW	DRAWN BY Feng_Li	CHECKED BY Jerry	APPROVED BY Max	DATE 2020-06-06	DATE 2020-06-06	DATE 2020-06-06
---------	--	------------------	---------------------	---------------------	--------------------	--------------------	--------------------	--------------------

THIS DOCUMENT IS SUBJECT TO CHANGE WITHOUT NOTICE. IT IS CONFIDENTIAL AND A PROPERTY OF Amphenol LTW. DISCLOSURE TO THIRD PARTY HAS TO BE AUTHORIZED BY Amphenol LTW.

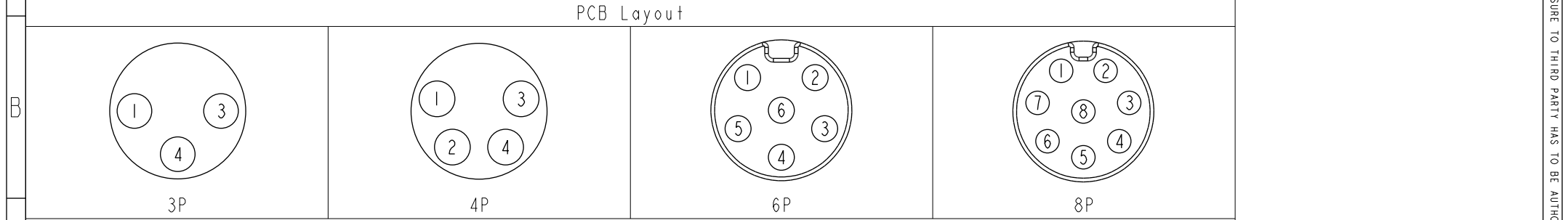
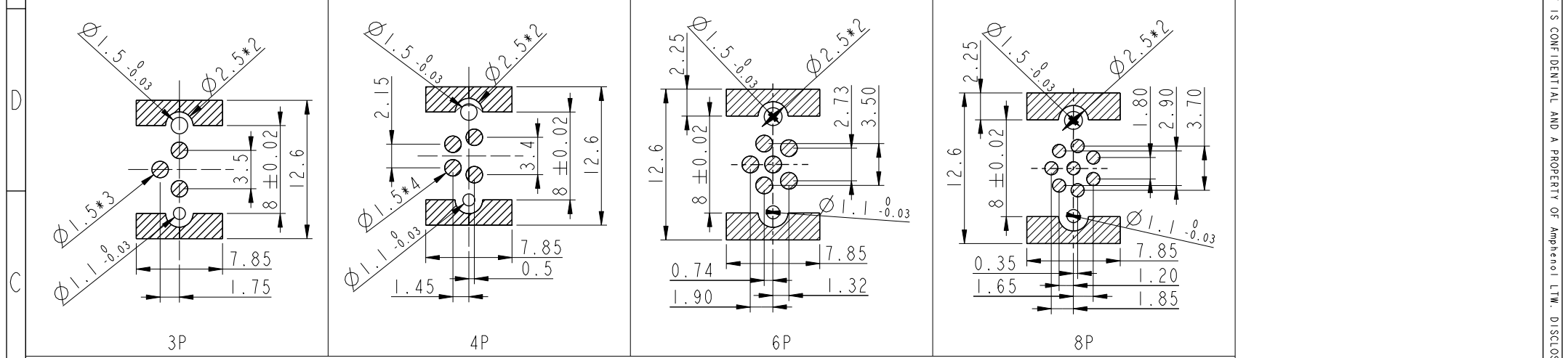
1 2 3 4 5 6 7 8

F

△ C

△ B M8-XXPFFT-EE0001
 XX: No. Of Pin

E



B

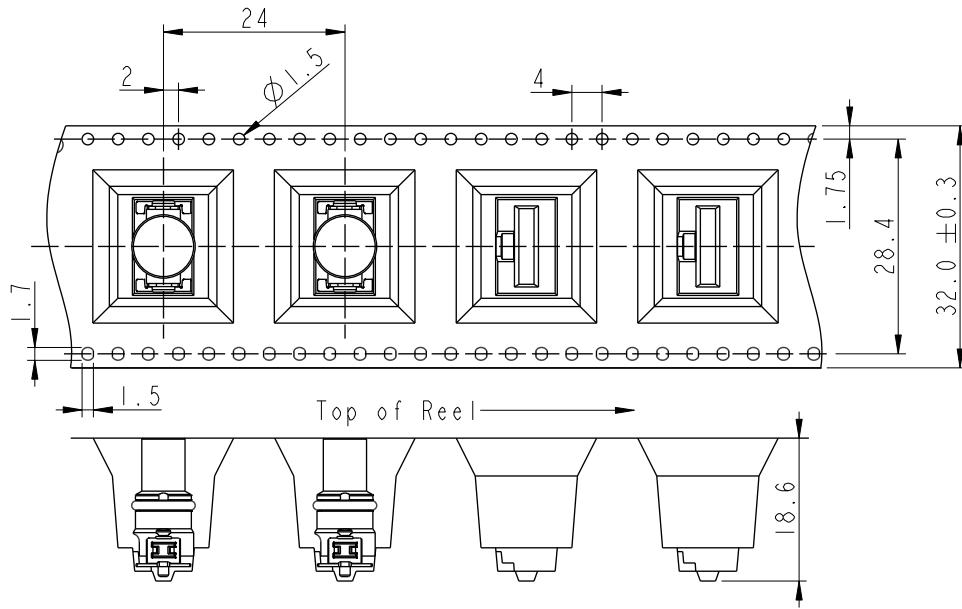
UNIT: mm			TITLE N SEN, M8, NONE RECEPTACLE, F, F, PCB SMT		Amphenol LTW 安費諾亮泰企業股份有限公司	ITEM NO M8-XXPFFT-EE0001	DRAWN BY Feng_Li	DATE 2020-06-06
TOLERANCE .X ±0.25 .XX ±0.1 .XXX ±0.05 ANGLES ±1°			SCALE Free	SIZE A4	SHEET 2 OF 4	DWG NO M8-XXPFFT-EE0001	CHECKED BY Jerry	DATE 2020-06-06
			REV. D	WC-REV. A.1		CUSTOMER ALTW	APPROVED BY Max	DATE 2020-06-06

A

2 3 4 5 6 7 8 W10814-03-0001A2

THIS DOCUMENT IS SUBJECT TO CHANGE WITHOUT NOTICE. IT IS CONFIDENTIAL AND A PROPERTY OF Amphenol LTW. DISCLOSURE TO THIRD PARTY HAS TO BE AUTHORIZED BY Amphenol LTW.

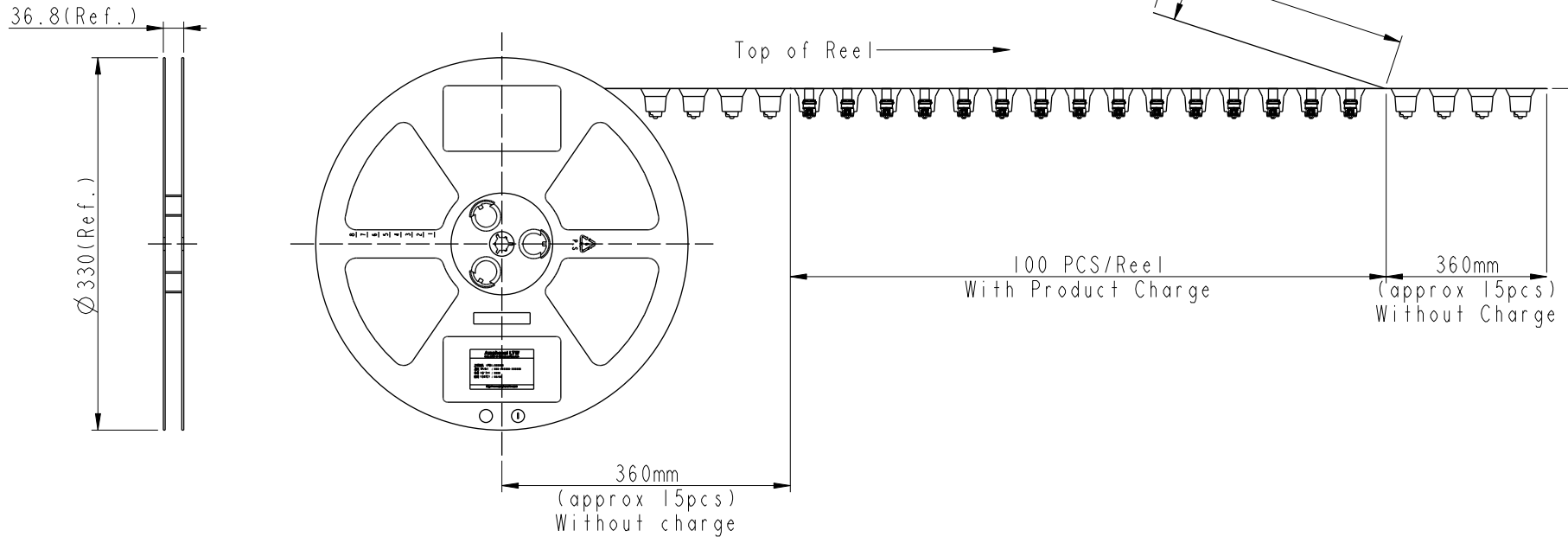
Tape & Reel Information:



Note:
* (CC) Connector Orientation Follow Drawing

Wide Cover Tape Around
Out Periphery 1 Turn

Peeling Strength 0.1~1.3N Max.
(300±10mm/min)
Peeling Angle
165~180°



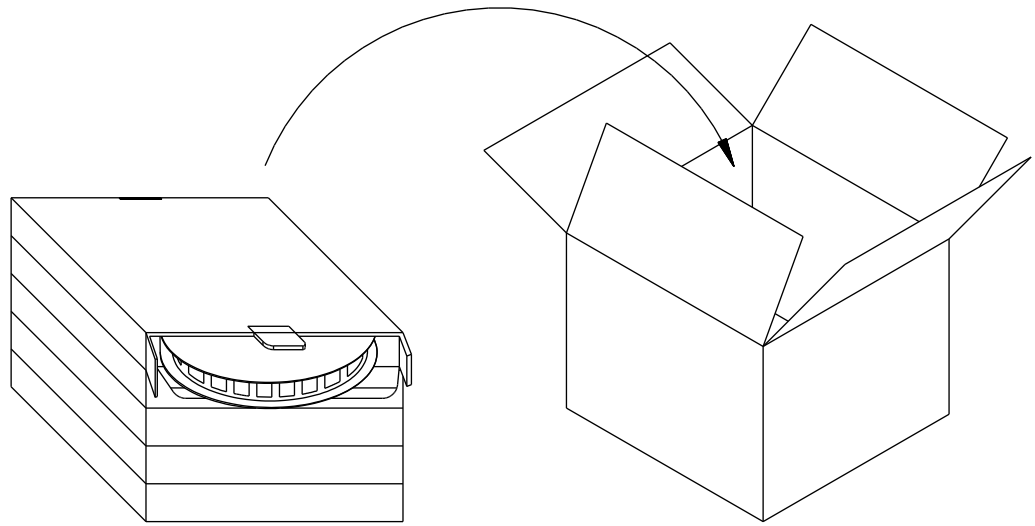
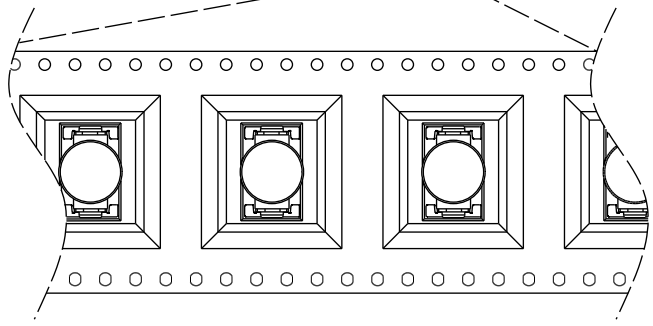
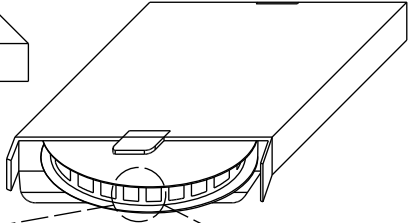
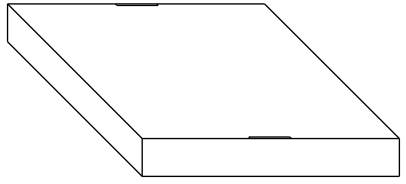
UNIT: mm		
TOLERANCE	.X ±0.25	
	.XX ±0.1	
	.XXX ±0.05	
ANGLES	±1°	

TITLE N SEN, M8, NONE RECEPTACLE, F, F, PCB SMT			
SCALE Free	SIZE A4	SHEET 3 OF 4	
REV. D	WC-REV. A.1	(CC): Inspection item	

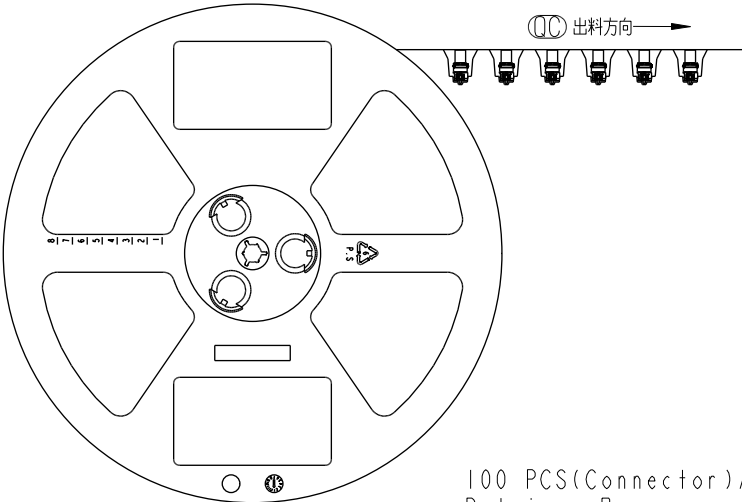
Amphenol LTW
安費諾亮泰企業股份有限公司

ITEM NO	DRAWN BY Feng_Li	DATE 2020-06-06
DWG NO M8-XXPFFT-EE0001	CHECKED BY Jerry	DATE 2020-06-06
CUSTOMER ALTW	APPROVED BY Max	DATE 2020-06-06

THIS DOCUMENT IS SUBJECT TO CHANGE WITHOUT NOTICE. IT IS CONFIDENTIAL AND A PROPERTY OF Amphenol LTW. DISCLOSURE TO THIRD PARTY HAS TO BE AUTHORIZED BY Amphenol LTW.



One Carton can put in the 5PCS(Max.) Box
(500 PCS/Carton)



100 PCS(Connector)/Tape&Reel,
Put in a Box

UNIT: mm		
TOLERANCE	.X	±0.25
	.XX	±0.1
	.XXX	±0.05
ANGLES		±1°

TITLE N SEN, M8, NONE RECEPTACLE, F, F, PCB SMT			
SCALE	SIZE	SHEET	OF
Free	A4	4	4
REV.	WC-REV.	◎◎: Inspection item	
D	A.1		

Amphenol LTW
安費諾亮泰企業股份有限公司

ITEM NO	DWG NO
	M8-XXPFFT-EE0001
CUSTOMER	ALTW

DRAWN BY	CHECKED BY
Feng_Li	Jerry
APPROVED BY	
Max	

DATE	DATE
2020-06-06	2020-06-06
DATE	DATE
2020-06-06	2020-06-06