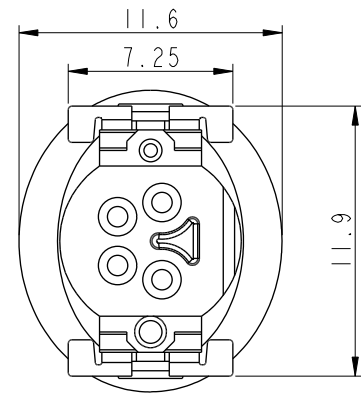
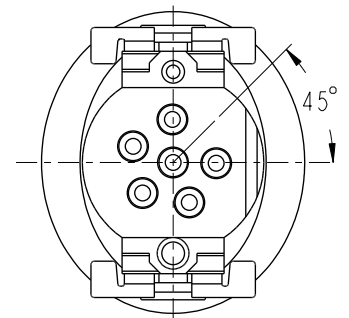


THIS DOCUMENT IS SUBJECT TO CHANGE WITHOUT NOTICE. IT IS CONFIDENTIAL AND A PROPERTY OF AMPHENOL LTW. DISCLOSURE TO THIRD PARTY HAS TO BE AUTHORIZED BY AMPHENOL LTW.

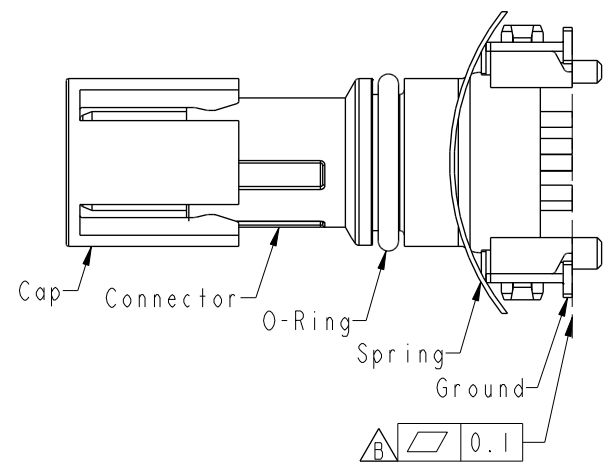
REV.	ECN NO.	DATE	SIGN	DESCRIPTION
A		2020/07/16	Allen Pan	Rev.01 To Rev.A
B	C201911	2021/01/04	Roy Lin	$\triangle B$ X6
C	C210686	2021/05/19	Vicky	$\triangle C$ X6



3&4 Pin



$\triangle B$ 6 Pin



- $\triangle C$ Note:
- * RoHS Compliant
 - * CC Important dimension
 - * Waterproof rate: Non-Waterproof
 - * Connector
 - Housing: Thermoplastic, Black
 - Pin: Copper alloy, Gold plated
 - O-Ring: Rubber, Gray
 - * Spring: Metal
 - * Ground: Metal

UNIT: mm		
TOLERANCE		
.X	± 0.25	
.XX	± 0.1	
.XXX	± 0.05	
ANGLES	$\pm 1^\circ$	

TITLE N SEN, M8-SHLD, NONE RECEPTACLE, M, M, PCB SMT			$\triangle C$
SCALE	SIZE	SHEET	OF
3:1	A4	1	4
REV.	WC-REV.	CC : Inspection item	
C	***		

Amphenol LTW
安費諾亮泰企業股份有限公司

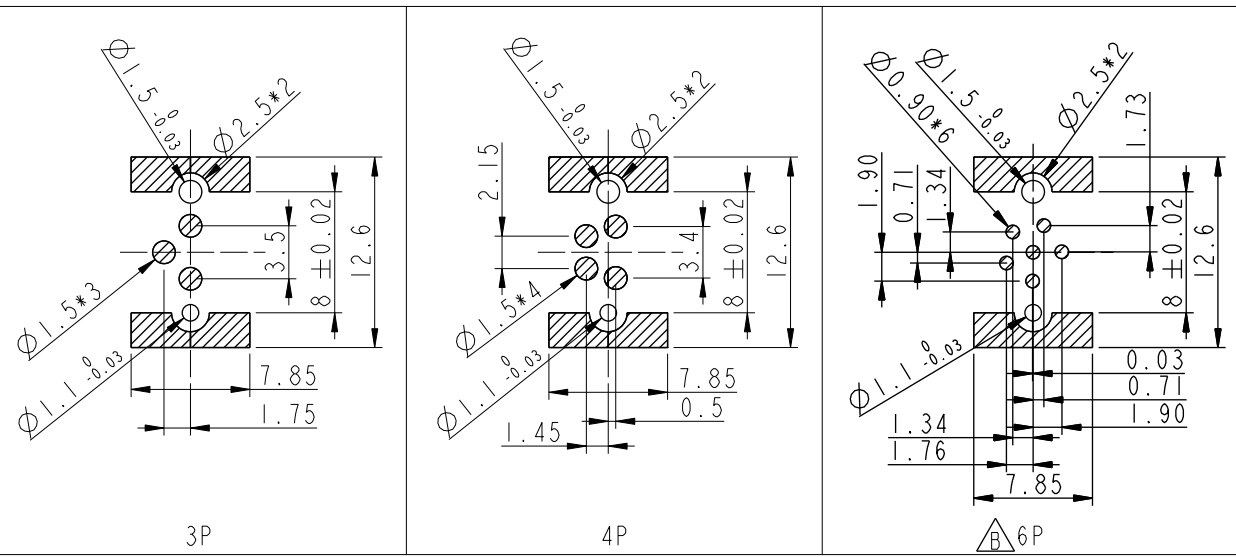
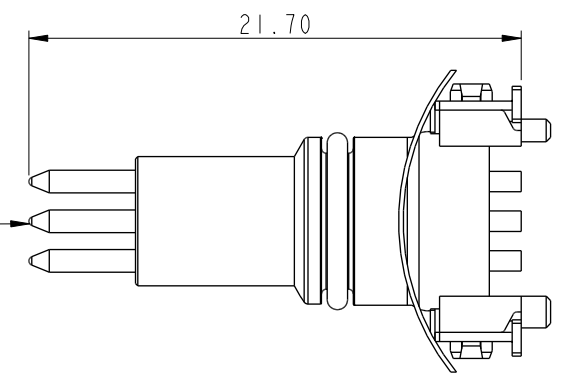
ITEM NO.	DRAWN BY	DATE
	Allen Pan	2020-07-16
DWG NO.	CHECKED BY	DATE
M8S-XXPMMT-EE0001	Sam Ho	2020-07-16
CUSTOMER	APPROVED BY	DATE
ALTW	Fred Lee	2020-07-16

THIS DOCUMENT IS SUBJECT TO CHANGE WITHOUT NOTICE. IT IS CONFIDENTIAL AND A PROPERTY OF Amphenol LTW. DISCLOSURE TO THIRD PARTY HAS TO BE AUTHORIZED BY Amphenol LTW.

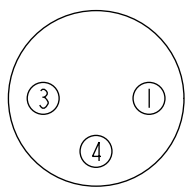
△ B M8S-XXPMMT-EE0001
 △ C XX: No. Of Pin

△ B

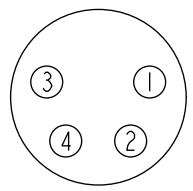
PCB LAYOUT VIEW DIRECTION



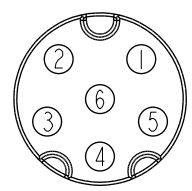
PCB Layout



3P



4P



△ B 6P

Pin Assignments Front View

UNIT: mm		
TOLERANCE	.X ±0.25	
.XX ±0.1		
.XXX ±0.05		
ANGLES	±1°	

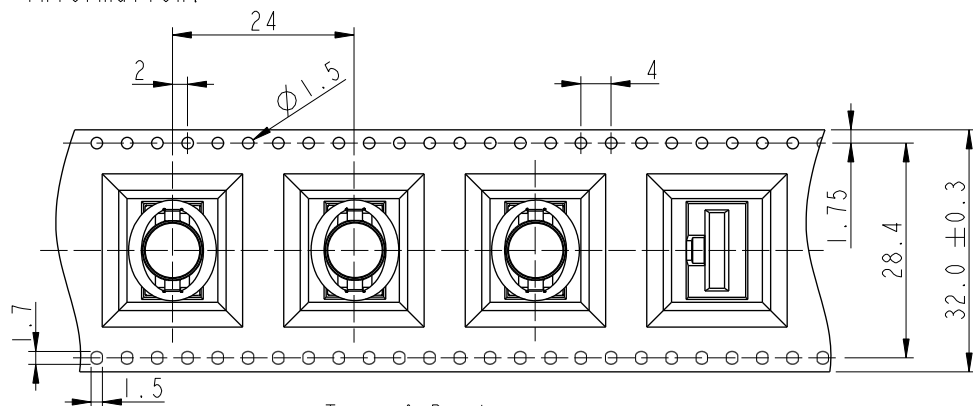
TITLE N SEN, M8-SHLD, NONE RECEPTACLE, M, M, PCB SMT			△ C
SCALE Free	SIZE A4	SHEET 2 OF 4	
REV. C	WC-REV. ***	QC: Inspection item	

Amphenol LTW
 安費諾亮泰企業股份有限公司

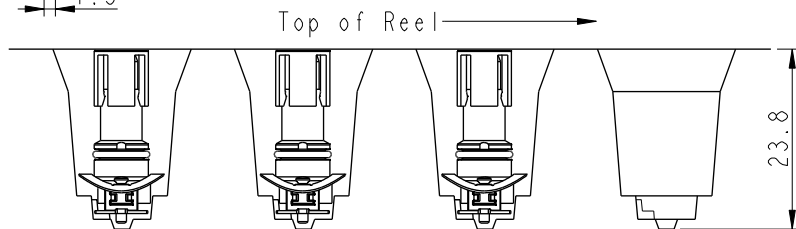
ITEM NO	DRAWN BY Allen Pan	DATE 2020-07-16
DWG NO M8S-XXPMMT-EE0001	CHECKED BY Sam Ho	DATE 2020-07-16
CUSTOMER ALTW	APPROVED BY Fred Lee	DATE 2020-07-16

THIS DOCUMENT IS SUBJECT TO CHANGE WITHOUT NOTICE. IT IS CONFIDENTIAL AND A PROPERTY OF Amphenol LTW. DISCLOSURE TO THIRD PARTY HAS TO BE AUTHORIZED BY Amphenol LTW.

Tape & Reel Information:

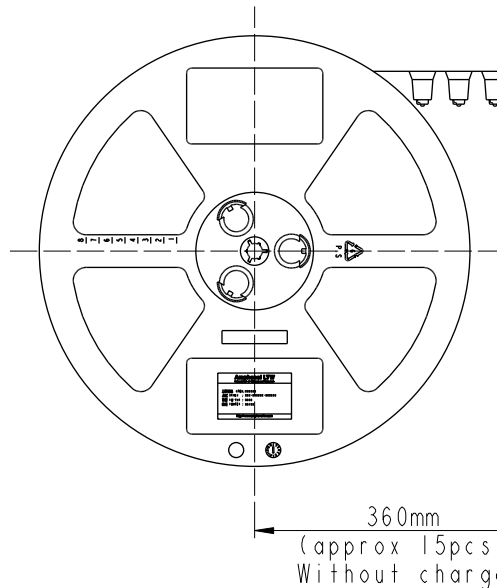
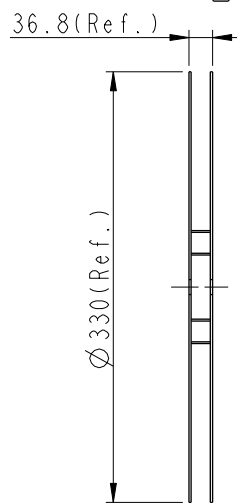


Note:
* Connector Orientation Follow Drawing



Wide Cover Tape Around
Out Periphery 1 Turn

Peeling Strength 0.1~1.3N Max.
(300±10mm/min)
Peeling Angle
165~180°



Top of Reel →

100 PCS/Reel
With Product Charge

360mm
(approx 15pcs)
Without Charge

UNIT: mm			
TOLERANCE			
.X	±0.25		
.XX	±0.1		
.XXX	±0.05		
ANGLES	±1°		

TITLE N SEN, M8-SHLD, NONE RECEPTACLE, M, M, PCB SMT					
SCALE	Free	SIZE	A4	SHEET	3 OF 4
REV.	C	WC-REV.	***		Inspection item

Amphenol LTW
安費諾亮泰企業股份有限公司

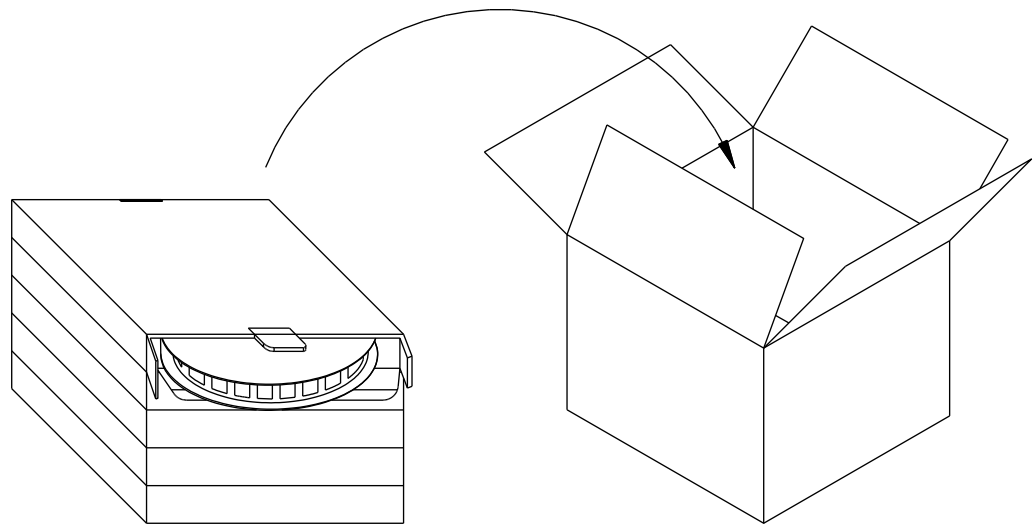
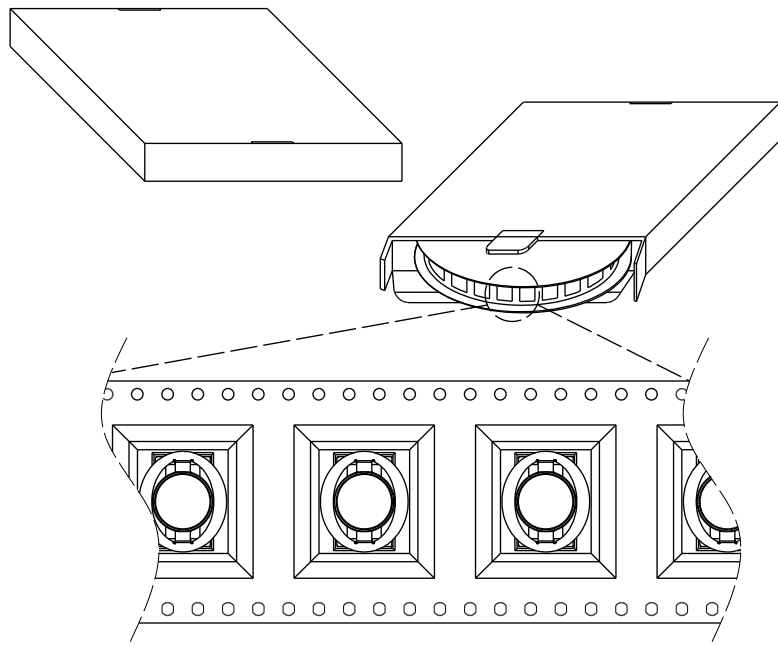
ITEM NO	DWG NO	CUSTOMER
	M8S-XXPMMT-EE0001	ALTW

DRAWN BY	CHECKED BY	APPROVED BY
Allen Pan	Sam Ho	Fred Lee

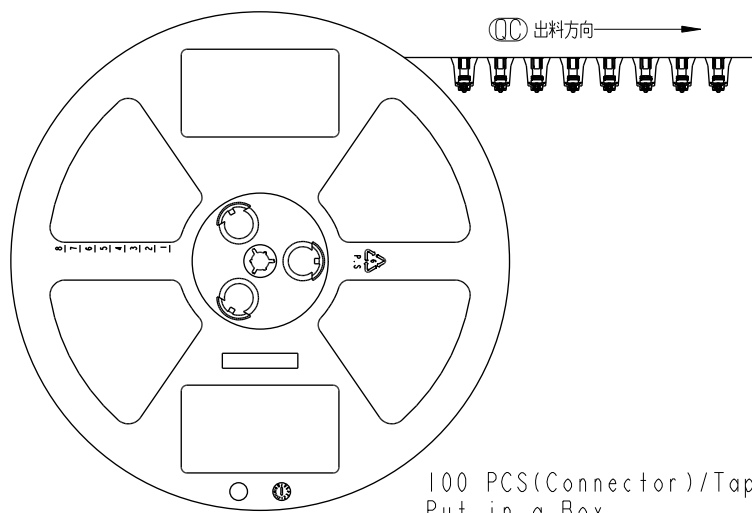
DATE	DATE	DATE
2020-07-16	2020-07-16	2020-07-16

THIS DOCUMENT IS SUBJECT TO CHANGE WITHOUT NOTICE. IT IS CONFIDENTIAL AND A PROPERTY OF Amphenol LTW. DISCLOSURE TO THIRD PARTY HAS TO BE AUTHORIZED BY Amphenol LTW.

Package:

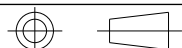


One Carton can put in the 5PCS(Max.) Box
(500 PCS/Carton)



100 PCS(Connector)/Tape&Reel,
Put in a Box

UNIT:mm



TOLERANCE
.X ±0.25
.XX ±0.1
.XXX ±0.05
ANGLES ±1°

TITLE N SEN, M8-SHLD, NONE RECEPTACLE, M, M, PCB SMT			△
SCALE Free	SIZE A4	SHEET 4 OF 4	
REV. C	WC-REV. ***	QC: Inspection item	

Amphenol LTW
安費諾亮泰企業股份有限公司

ITEM NO	DRAWN BY Allen Pan	DATE 2020-07-16
DWG NO M8S-XXPMMT-EE0001	CHECKED BY Sam Ho	DATE 2020-07-16
CUSTOMER ALTW	APPROVED BY Fred Lee	DATE 2020-07-16