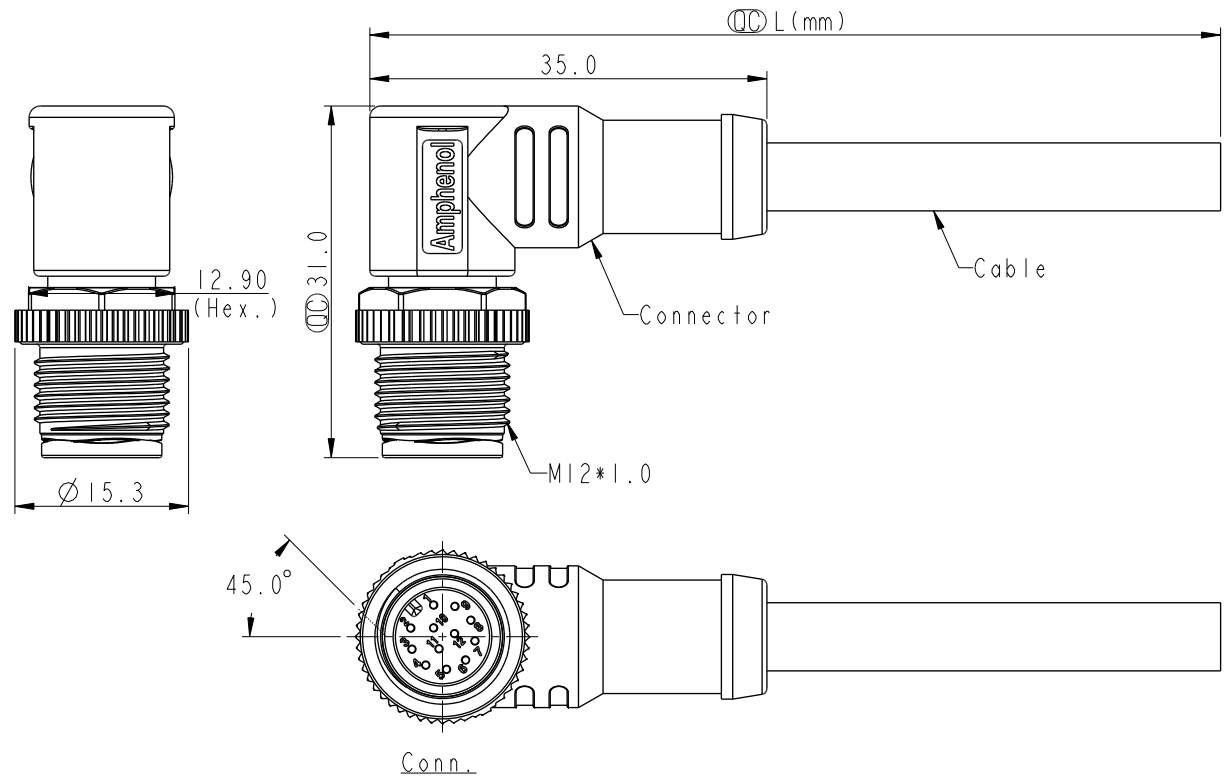


THIS DOCUMENT IS SUBJECT TO CHANGE WITHOUT NOTICE. IT IS CONFIDENTIAL AND A PROPERTY OF Amphenol LTW. DISCLOSURE TO THIRD PARTY HAS TO BE AUTHORIZED BY Amphenol LTW.

REV.	ECN NO.	DATE	SIGN	DESCRIPTION
D	LEN1750136~39	2017/04/06	Lingpeng	Change The Cable OD
E	C201638	2020/10/23	Vicky	△E X4
F	C210224	2021/03/22	Vicky	△E X4



- △E △F
 Note:
 * RoHS Compliant
 * Ⓞ Important dimension
 △C * Waterproof rate: IPX8, mated 1m/24h
 IPX9K, mated
- * Connector
 Housing: Thermoplastic, Black
 Pin: Copper alloy, Gold plated
- △B Nut: Thermoplastic, Black
 Outer mold: Thermoplastic, Black
- * Cable: UL20549, PUR Jacket, Black
 * Cable length tolerance: 1M: +50/-0 mm
 1M < L ≤ 3M: +100/-0 mm
 3M < L ≤ 5M: +150/-0 mm
 5M < L ≤ 10M: ±100 mm
 10M < L ≤ 20M: ±200 mm
 20M < L ≤ 30M: ±300 mm
 30M < L ≤ 99M: ±500 mm

UNIT: mm
 TOLERANCE
 ±0.5mm

TITLE N SEN, M12 A -PLASTIC, SCREW CABLE W/O SR, M, M, MOLDING △E			
SCALE 3:2	SIZE A4	SHEET 1 OF 2	
REV. F	WC-REV. A.1	Ⓞ: Inspection item	

Amphenol LTW
 安費諾亮泰企業股份有限公司

ITEM NO.	DRAWN BY Lingpeng	DATE 2017-04-06
DWG NO. △E MSAP-XXBMM-SR8BXX	CHECKED BY Ma Fei	DATE 2017-04-06
CUSTOMER ALTW	APPROVED BY Jerry	DATE 2017-04-06

F	<div style="text-align: center;"> MSAP-XXBMMM-SR8BXX </div> <p style="margin-left: 20px;">XX: No. Of Pin</p> <div style="margin-left: 100px;"> XX: 01~99Meters 01: 01Meter 02: 02Meters : 99: 99Meters </div>	<table border="1" style="width:100%; border-collapse: collapse;"> <tr> <td style="width: 10%;"></td> <td style="width: 15%;">12P</td> <td style="width: 10%;">6.0</td> <td style="width: 10%;">26</td> <td style="width: 55%;">MSAP-12BMMM-SR8BXX</td> </tr> <tr> <td></td> <td>10P</td> <td></td> <td></td> <td>MSAP-10BMMM-SR8BXX</td> </tr> <tr> <td style="text-align: center;"></td> <td>8P</td> <td>4.8</td> <td rowspan="2">24</td> <td>MSAP-08BMMM-SR8BXX</td> </tr> <tr> <td style="text-align: center;"></td> <td>6P</td> <td>5.0</td> <td>MSAP-06BMMM-SR8BXX</td> </tr> <tr> <td></td> <td>5P</td> <td>4.4</td> <td rowspan="3">22</td> <td>MSAP-05BMMM-SR8BXX</td> </tr> <tr> <td style="text-align: center;"></td> <td>4P</td> <td>4.0</td> <td>MSAP-04BMMM-SR8BXX</td> </tr> <tr> <td></td> <td>3P</td> <td>3.8</td> <td>MSAP-03BMMM-SR8BXX</td> </tr> <tr> <td style="text-align: center;"></td> <td>Contacts</td> <td>Cable OD</td> <td>AWG</td> <td>Item No.</td> </tr> </table>		12P	6.0	26	MSAP-12BMMM-SR8BXX		10P			MSAP-10BMMM-SR8BXX		8P	4.8	24	MSAP-08BMMM-SR8BXX		6P	5.0	MSAP-06BMMM-SR8BXX		5P	4.4	22	MSAP-05BMMM-SR8BXX		4P	4.0	MSAP-04BMMM-SR8BXX		3P	3.8	MSAP-03BMMM-SR8BXX		Contacts	Cable OD	AWG	Item No.
	12P	6.0	26	MSAP-12BMMM-SR8BXX																																			
	10P			MSAP-10BMMM-SR8BXX																																			
	8P	4.8	24	MSAP-08BMMM-SR8BXX																																			
	6P	5.0		MSAP-06BMMM-SR8BXX																																			
	5P	4.4	22	MSAP-05BMMM-SR8BXX																																			
	4P	4.0		MSAP-04BMMM-SR8BXX																																			
	3P	3.8		MSAP-03BMMM-SR8BXX																																			
	Contacts	Cable OD	AWG	Item No.																																			

	Pin Out	5 -- 4 Black 黑 3 Blue 藍 2 -- 1 Brown 棕	5 -- 4 Black 黑 3 Blue 藍 2 White 白 1 Brown 棕	5 Gray 灰 4 Black 黑 3 Blue 藍 2 White 白 1 Brown 棕	8 -- 7 Blue 藍 6 Pink 粉 5 -- 4 Yellow 黃 3 Green 綠 2 Brown 棕 1 White 白	8 Red 紅 7 Blue 藍 6 Pink 粉 5 Gray 灰 4 Yellow 黃 3 Green 綠 2 Brown 棕 1 White 白	12 -- 11 -- 10 Violet 紫 9 Black 黑 8 Red 紅 7 Blue 藍 6 Pink 粉 5 Gray 灰 4 Yellow 黃 3 Green 綠 2 Brown 棕 1 White 白	12 Red/Blue 紅/藍 11 Gray/Pink 灰/粉 10 Violet 紫 9 Black 黑 8 Red 紅 7 Blue 藍 6 Pink 粉 5 Gray 灰 4 Yellow 黃 3 Green 綠 2 Brown 棕 1 White 白
		Pin # Wire	Pin # Wire	Pin # Wire	Pin # Wire	Pin # Wire	Pin # Wire	Pin # Wire
C								
		3P	4P	5P	6P	8P	10P	12P

Pin Assignments Front View

UNIT:mm		TITLE	N SEN, M12 A -PLASTIC, SCREW CABLE W/O SR, M, M, MOLDING		ITEM NO	DRAWN BY	DATE			
TOLERANCE	±0.5mm	SCALE	3:2	SIZE	A4	SHEET	2 OF 2			
			REV.	F	WC-REV.	A.1	Inspection item			
<h2 style="margin: 0;">Amphenol LTW</h2> <p style="margin: 0;">安費諾亮泰企業股份有限公司</p>					DWG NO	MSAP-XXBMMM-SR8BXX	CHECKED BY	Ma Fei	DATE	2017-04-06
					CUSTOMER	ALTW	APPROVED BY	Jerry	DATE	2017-04-06