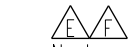
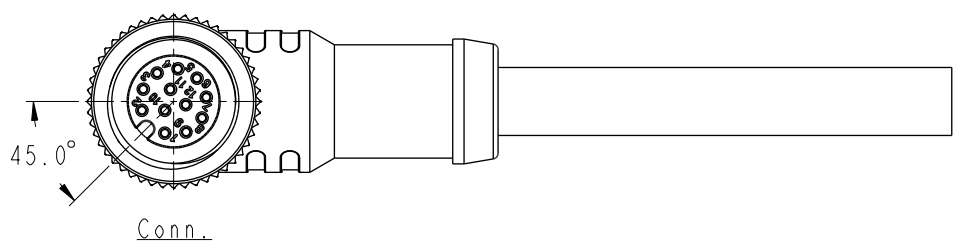
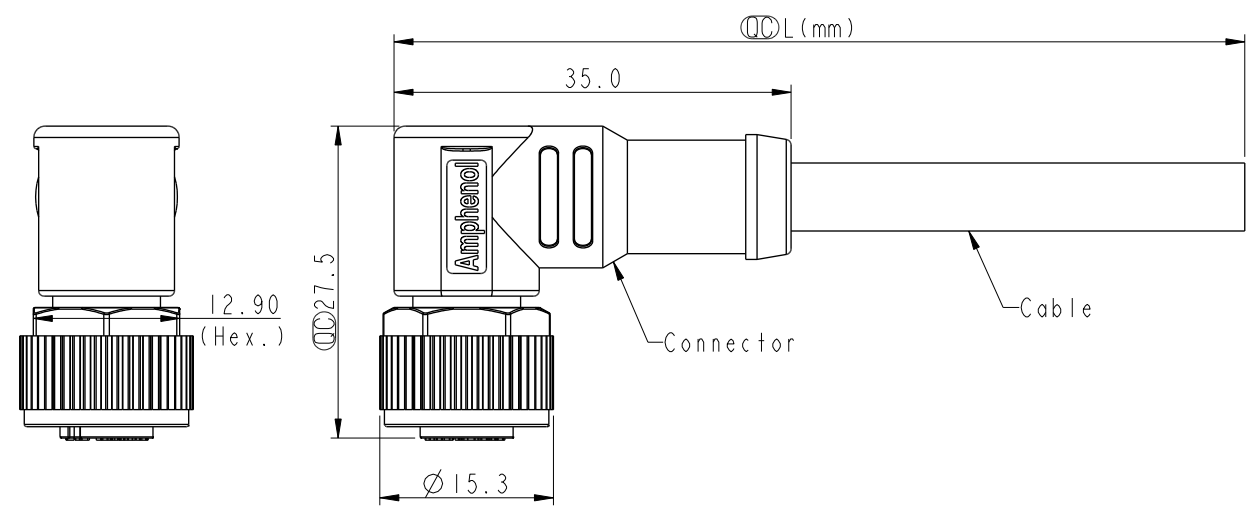


THIS DOCUMENT IS SUBJECT TO CHANGE WITHOUT NOTICE. IT IS CONFIDENTIAL AND A PROPERTY OF Amphenol LTW. DISCLOSURE TO THIRD PARTY HAS TO BE AUTHORIZED BY Amphenol LTW.

REV.	ECN NO.	DATE	SIGN	DESCRIPTION
D	LEN1750126~29	2017/04/06	Lingpeng	Change The Cable OD
E	C201451	2020/10/12	Ruru	△E X5
F	C210222	2021/03/19	Vicky	△F X4



Note:

- * RoHS Compliant
- * \varnothing Important dimension
- * \triangle Waterproof rate: IPX8, mated 1m/24h
IPX9K, mated
- * Connector
 - Housing: Thermoplastic, Black
 - Pin: Copper alloy, Gold plated
 - O-Ring: Rubber, Green
- * \triangle Nut: Thermoplastic, Black
- * Outer mold: Thermoplastic, Black
- * Cable: UL2517, PVC Jacket, Yellow
- * Cable length tolerance: 1M: +50/-0 mm

1M < L ≤ 3M:	+100/-0 mm
3M < L ≤ 5M:	+150/-0 mm
5M < L ≤ 10M:	±100 mm
10M < L ≤ 20M:	±200 mm
20M < L ≤ 30M:	±300 mm
30M < L ≤ 99M:	±500 mm

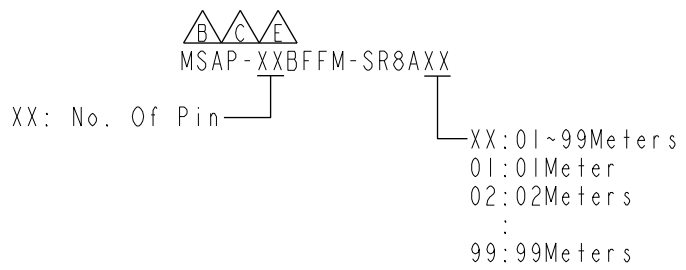
UNIT: mm		
TOLERANCE	±0.5mm	

TITLE N SEN, M12 A -PLASTIC, SCREW CABLE W/O SR, F, F, MOLDING			\triangle E
SCALE 3:2	SIZE A4	SHEET 1 OF 2	
REV. F	WC-REV. A.3	\varnothing : Inspection item	

Amphenol LTW
安費諾亮泰企業股份有限公司

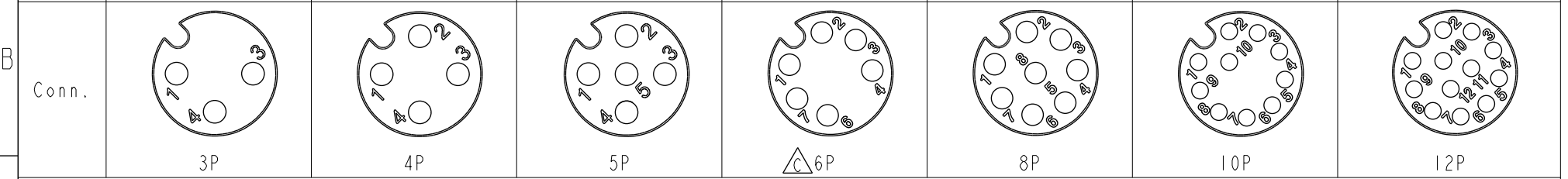
ITEM NO	DRAWN BY Lingpeng	DATE 2017-04-06
DWG NO \triangle E MSAP-XXBFFM-SR8AXX	CHECKED BY Ma Fei	DATE 2017-04-06
CUSTOMER ALTW	APPROVED BY Jerry	DATE 2017-04-06

THIS DOCUMENT IS SUBJECT TO CHANGE WITHOUT NOTICE. IT IS CONFIDENTIAL AND A PROPERTY OF Amphenol LTW. DISCLOSURE TO THIRD PARTY HAS TO BE AUTHORIZED BY Amphenol LTW.



C	12P	6.0	26	MSAP-12BFFM-SR8AXX
	10P			MSAP-10BFFM-SR8AXX
A	8P	5.5	24	MSAP-08BFFM-SR8AXX
	6P			MSAP-06BFFM-SR8AXX
F	5P	5.1	22	MSAP-05BFFM-SR8AXX
	4P			MSAP-04BFFM-SR8AXX
	3P			MSAP-03BFFM-SR8AXX
	Contacts	Cable OD	AWG	Item No.

Pin Out	Wire	Wire	Wire	Wire	Wire	Wire	Wire				
5	--	--	5	Gray	灰	8	--				
4	Black	黑	4	Black	黑	7	Blue	藍			
3	Blue	藍	3	Blue	藍	6	Pink	粉			
2	--	--	2	White	白	5	--	5	Gray	灰	
1	Brown	棕	1	Brown	棕	4	Yellow	黃	4	Yellow	黃
						3	Green	綠	3	Green	綠
						2	Brown	棕	2	Brown	棕
						1	White	白	1	White	白



Pin Assignments Front View

UNIT:mm		TITLE
TOLERANCE	±0.5mm	N SEN, M12 A -PLASTIC, SCREW CABLE W/O SR, F, F, MOLDING
SCALE	3:2	SIZE
REV.	F	A4
		SHEET 2 OF 2
		WC-REV. A.3
		QC: Inspection item

ITEM NO	MSAP-XXBFFM-SR8AXX		DRAWN BY	Lingpeng	DATE	2017-04-06
	DWG NO	CUSTOMER	CHECKED BY	Ma Fei	DATE	2017-04-06
			APPROVED BY	Jerry	DATE	2017-04-06
	ALTW					

Amphenol LTW
安費諾亮泰企業股份有限公司