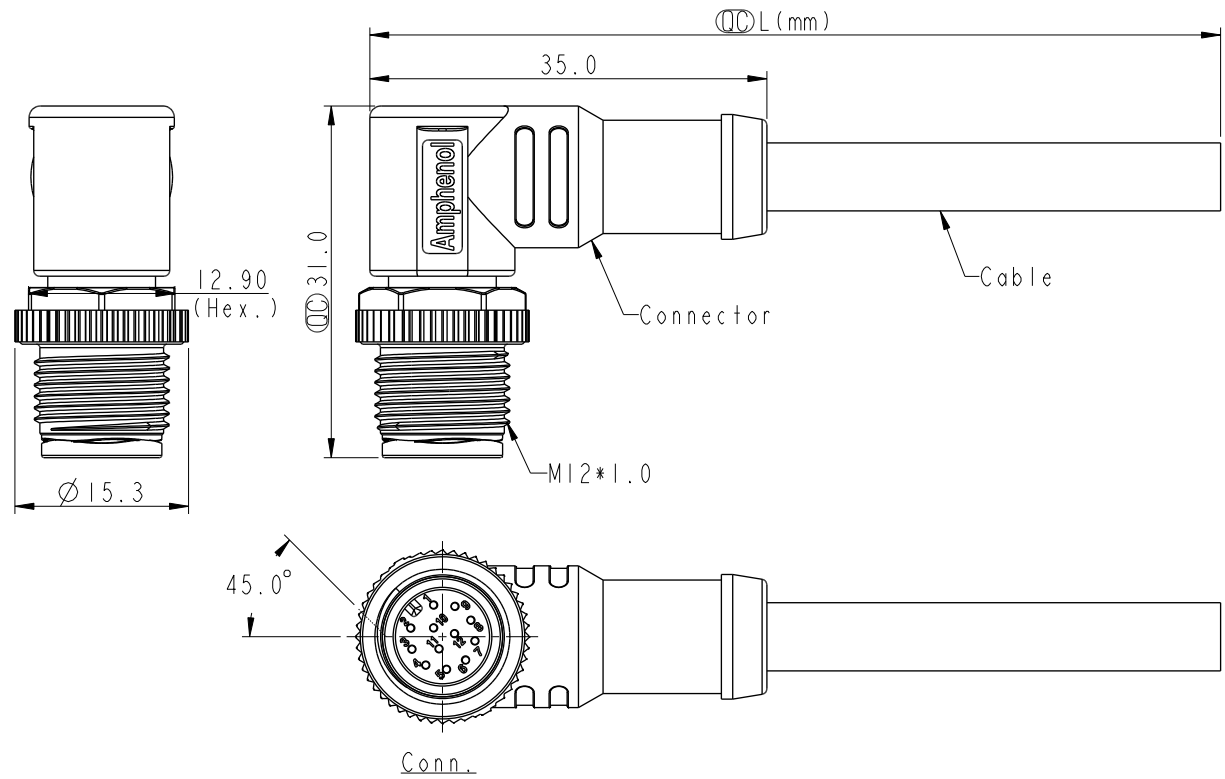


THIS DOCUMENT IS SUBJECT TO CHANGE WITHOUT NOTICE. IT IS CONFIDENTIAL AND A PROPERTY OF Amphenol LTW. DISCLOSURE TO THIRD PARTY HAS TO BE AUTHORIZED BY Amphenol LTW.

REV.	ECN NO.	DATE	SIGN	DESCRIPTION
D	LEN1750136~39	2017/04/06	Lingpeng	Change The Cable OD
E	C201638	2020/10/23	Vicky	△E X4
F	C210224	2021/03/22	Vicky	△E X4



△E △F  
 Note:  
 \* RoHS Compliant  
 \* Ⓞ Important dimension  
 △C \* Waterproof rate: IPX8, mated 1m/24h  
 IPX9K, mated

- \* Connector
- Housing: Thermoplastic, Black
- Pin: Copper alloy, Gold plated
- △B Nut: Thermoplastic, Black
- Outer mold: Thermoplastic, Black
- \* Cable: UL2517, PVC Jacket, Yellow
- \* Cable length tolerance: 1M: +50/-0 mm
- 1M < L ≤ 3M: +100/-0 mm
- 3M < L ≤ 5M: +150/-0 mm
- 5M < L ≤ 10M: ±100 mm
- 10M < L ≤ 20M: ±200 mm
- 20M < L ≤ 30M: ±300 mm
- 30M < L ≤ 99M: ±500 mm

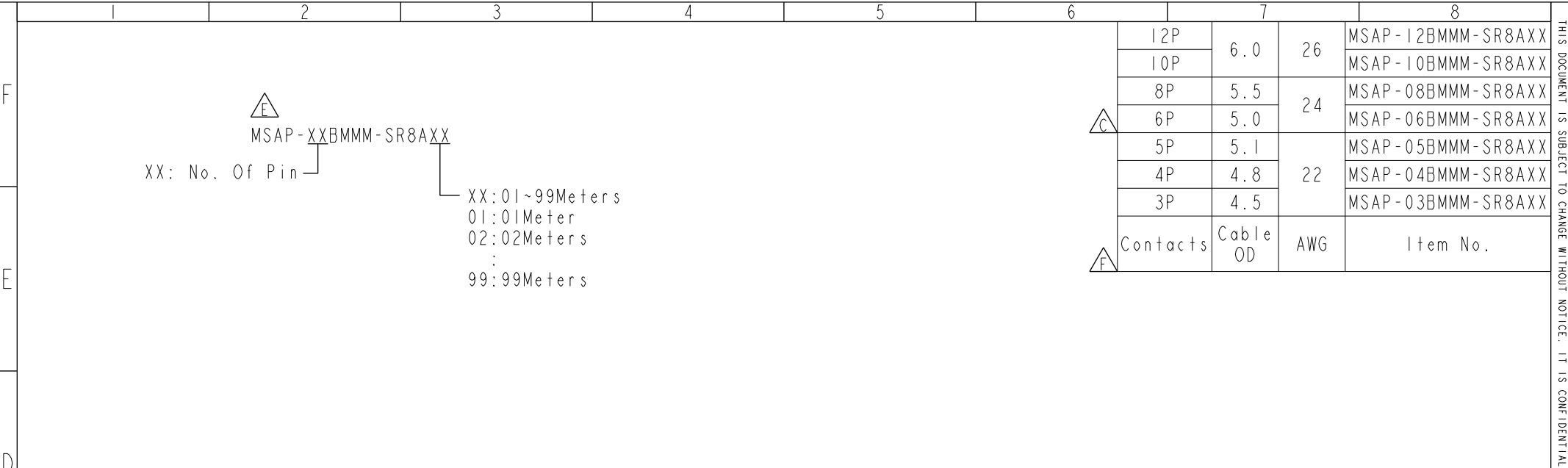
UNIT: mm  
 TOLERANCE  
 ±0.5mm

TITLE N SEN, M12 A -PLASTIC, SCREW CABLE W/O SR, M, M, MOLDING			
SCALE 3:2	SIZE A4	SHEET 1 OF 2	
REV. F	WC-REV. A.1	Ⓞ: Inspection item	

**Amphenol LTW**  
 安費諾亮泰企業股份有限公司

ITEM NO.	DRAWN BY Lingpeng	DATE 2017-04-06
DWG NO. △E MSAP-XXBMM-SR8AXX	CHECKED BY Ma Fei	DATE 2017-04-06
CUSTOMER ALTW	APPROVED BY Jerry	DATE 2017-04-06

THIS DOCUMENT IS SUBJECT TO CHANGE WITHOUT NOTICE. IT IS CONFIDENTIAL AND A PROPERTY OF Amphenol LTW. DISCLOSURE TO THIRD PARTY HAS TO BE AUTHORIZED BY Amphenol LTW.



△C	12P	6.0	26	MSAP-12BMMM-SR8AXX
	10P			MSAP-10BMMM-SR8AXX
△C	8P	5.5	24	MSAP-08BMMM-SR8AXX
	6P			MSAP-06BMMM-SR8AXX
△C	5P	5.1	22	MSAP-05BMMM-SR8AXX
	4P			MSAP-04BMMM-SR8AXX
△F	3P	4.5	22	MSAP-03BMMM-SR8AXX
	Contacts			Cable OD

Pin Out	Wire	Wire	Wire	Wire	Wire	Wire	Wire	Wire		
12	--	12	Red/Blue	紅/藍	12	Red/Blue	紅/藍	12	Red/Blue	紅/藍
11	--	11	Gray/Pink	灰/粉	11	Gray/Pink	灰/粉	11	Gray/Pink	灰/粉
10	Violet	紫	Violet	紫	10	Violet	紫	10	Violet	紫
9	Black	黑	Black	黑	9	Black	黑	9	Black	黑
8	Red	紅	Red	紅	8	Red	紅	8	Red	紅
7	Blue	藍	Blue	藍	7	Blue	藍	7	Blue	藍
6	Pink	粉	Pink	粉	6	Pink	粉	6	Pink	粉
5	Gray	灰	Gray	灰	5	Gray	灰	5	Gray	灰
4	Yellow	黃	Yellow	黃	4	Yellow	黃	4	Yellow	黃
3	Green	綠	Green	綠	3	Green	綠	3	Green	綠
2	Brown	棕	Brown	棕	2	Brown	棕	2	Brown	棕
1	White	白	White	白	1	White	白	1	White	白

Pin Assignments Front View

A	UNIT:mm		TITLE			ITEM NO	DRAWN BY	DATE
	TOLERANCE		N SEN, M12 A -PLASTIC, SCREW CABLE W/O SR, M, M, MOLDING			DWG NO	Checked By	DATE
	±0.5mm		SCALE	SIZE		SHEET	CUSTOMER	APPROVED BY
	F	WC-REV.	A.1	2 OF 2	ALTW	Jerry	2017-04-06	

Amphenol LTW  
 安費諾亮泰企業股份有限公司