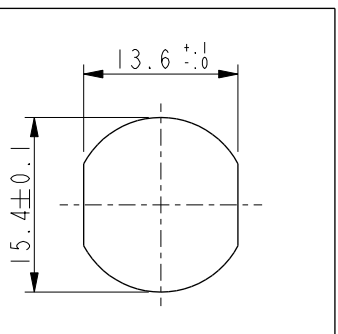
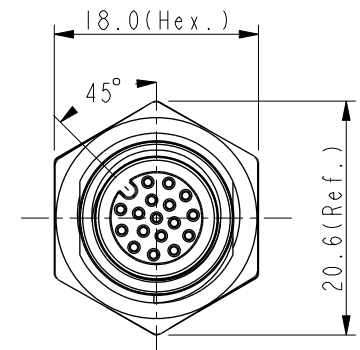
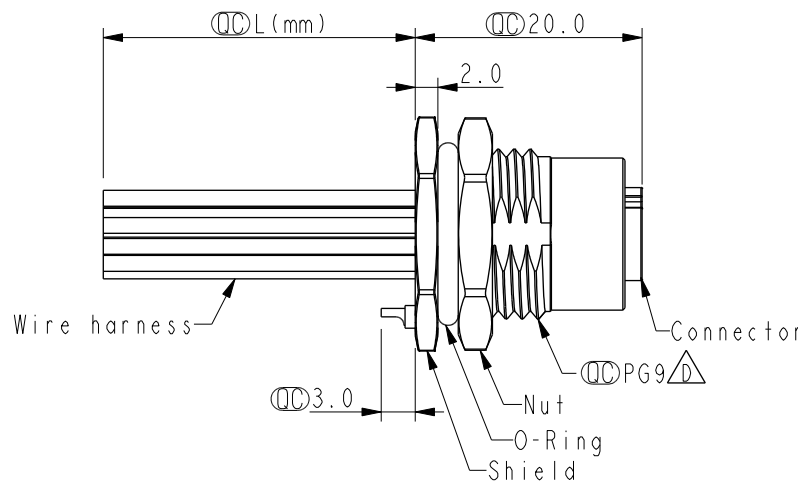
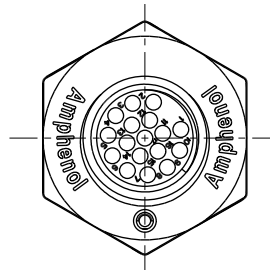


REV.	ECN NO.	DATE	SIGN	DESCRIPTION
C	BOMR19110191	2019/11/27	Peng	△C X4
D	C201453	2020/10/15	Ruru	△D X10
E	C210241	2021/04/13	Ruru	△E X4



- Note: △B △C △D △E
- * RoHS Compliant
 - * ∅ Important dimension
 - * Waterproof rate: IPX8, unmated 1m/24h
IPX9K, unmated
 - * Connector
 - Housing: Thermoplastic, Black
 - Pin: Copper alloy, Gold plated
 - O-Ring: Rubber, Green
 - Shield: Metal
 - Nut: Metal
 - O-Ring: Rubber, Black
 - Wire harness: UL1061
 - * For panel thickness max: 4.5mm
 - * O-Ring and nut are assembled on connectors
 - * Wire harness tolerance: 100mm: ±10mm
100mm < L ≤ 300mm: ±15mm
300mm < L ≤ 1000mm: ±20mm
1000mm < L ≤ 1500mm: ±50mm

Recommended Panel Cut-Out

UNIT: mm		
TOLERANCE		
.X	±0.25	
.XX	±0.1	
.XXX	±0.05	
ANGLES	±1°	

TITLE N SEN, M12 A -SHLD, SCREW RECEPTACLE, F, F, FI/PANEL CRIMP			
SCALE 3:2	SIZE A4	SHEET 1 OF 2	
REV. E	WC-REV. A.3	∅ Inspection item	

Amphenol LTW
安費諾亮泰企業股份有限公司

ITEM NO.	DRAWN BY Vicky	DATE 2019-09-24
DWG NO. MSAS-XXPFFC-SF8BXX	CHECKED BY Rita	DATE 2019-09-24
CUSTOMER ALTW	APPROVED BY Max	DATE 2019-09-24

THIS DOCUMENT IS SUBJECT TO CHANGE WITHOUT NOTICE. IT IS CONFIDENTIAL AND A PROPERTY OF Amphenol LTW. DISCLOSURE TO THIRD PARTY HAS TO BE AUTHORIZED BY Amphenol LTW.

THIS DOCUMENT IS SUBJECT TO CHANGE WITHOUT NOTICE. IT IS CONFIDENTIAL AND A PROPERTY OF Amphenol LTW. DISCLOSURE TO THIRD PARTY HAS TO BE AUTHORIZED BY Amphenol LTW.



17P	26	MSAS-17PFFC-SF8BXX
5P	22	MSAS-05PFFC-SF8BXX
4P		MSAS-04PFFC-SF8BXX
3P		MSAS-03PFFC-SF8BXX
Contacts	AWG	Item No.



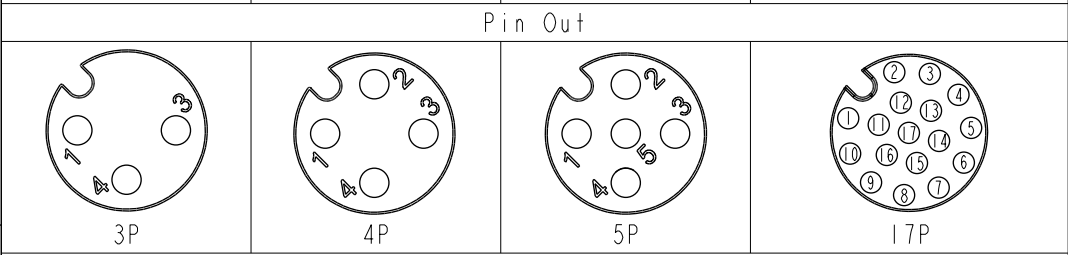
MSAS-XXPFFC-SF8BXX

XX: No. Of Pin

10:100mm
 15:150mm
 20:200mm
 ↓
 95:950mm
 Cable Pitch Unit:50mm
 A0:1000mm
 ↓
 A5:1500mm
 Cable Pitch Unit:100mm
 Wire Length(L):150~1500mm



5	--	5	--	5	Gray	灰	5	Pink	粉
4	Black	4	Black	4	Black	黑	4	Green	綠
3	Blue	3	Blue	3	Blue	藍	3	White	白
2	--	2	White	2	White	白	2	Blue	藍
1	Brown	1	Brown	1	Brown	棕	1	Brown	棕



Pin Assignments Front View

UNIT:mm		TITLE N SEN, M12 A -SHLD, SCREW RECEPTACLE, F, F, FI/PANEL CRIMP
TOLERANCE .X ±0.25 .XX ±0.1 .XXX ±0.05 ANGLES ±1°	SCALE 3:2 SIZE A4 SHEET 2 OF 2	REV. E WC-REV. A.3 QC: Inspection item

Amphenol LTW
 安費諾亮泰企業股份有限公司

ITEM NO	DRAWN BY Vicky	DATE 2019-09-24
DWG NO MSAS-XXPFFC-SF8BXX	CHECKED BY Rita	DATE 2019-09-24
CUSTOMER ALTW	APPROVED BY Max	DATE 2019-09-24