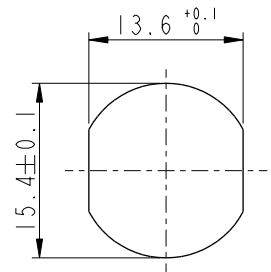


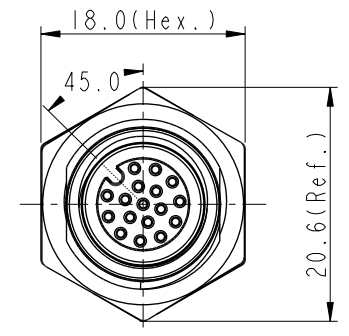
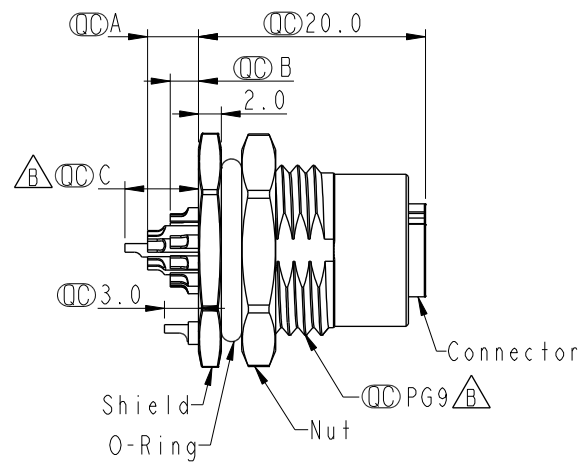
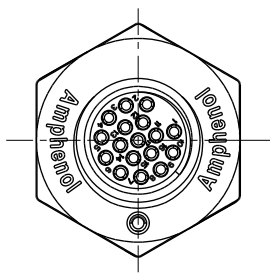
THIS DOCUMENT IS SUBJECT TO CHANGE WITHOUT NOTICE. IT IS CONFIDENTIAL AND A PROPERTY OF Amphenol LTW. DISCLOSURE TO THIRD PARTY HAS TO BE AUTHORIZED BY Amphenol LTW.

REV.	ECN NO.	DATE	SIGN	DESCRIPTION
A	Initial Release	2017/05/22	Feng_Li	Change Rev.01 To Rev.A
B	C201578	2020/10/16	Ruru	$\triangle B$ X8
C	C210309	2021/03/09	Ruru	$\triangle C$ X2

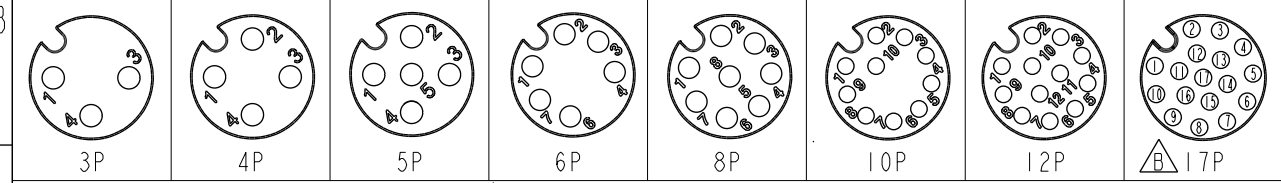


Recommended Panel Cut-Out

$\triangle B$
MSAS-XXPFFS-SF8001
XX: No. Of Pin



MSAS-03PFFS-SF8001		2.5	
MSAS-04PFFS-SF8001		2.5	
MSAS-05PFFS-SF8001		2.5	
MSAS-06PFFS-SF8001		2.5	
MSAS-08PFFS-SF8001		2.5	
MSAS-10PFFS-SF8001	4.5	2.5	
MSAS-12PFFS-SF8001	4.5	2.5	
MSAS-17PFFS-SF8001	4.5	2.5	6.5
Item No.	A	B	C
	Pin伸出長度		



Pin Assignment Front View

- $\triangle B \triangle C$ Note:
- * RoHS Compliant
 - * $\text{\textcircled{C}}$ Important dimension
 - * Waterproof rate: IPX8, unmated 1m/24h
IPX9K, unmated
 - * Connector
Housing: Thermoplastic, Black
Pin: Copper alloy, Gold plated
O-Ring: Rubber, Green
 - * Shield: Metal
 - * Nut: Metal
 - * O-Ring: Rubber, Black
 - * For panel thickness max: 4.5mm
 - * Nut is packed separately in pe bag

UNIT: mm			TITLE N SEN, M12 A -SHLD, SCREW RECEPTACLE, F, F, SOLDER $\triangle C$
TOLERANCE .X ±0.25 .XX ±0.1 .XXX ±0.05 ANGLES ±1°	SCALE 3:2	SIZE A4	SHEET 1 OF 1
REV. C	WC-REV. A.5	$\text{\textcircled{C}}$: Inspection item	

Amphenol LTW
安費諾亮泰企業股份有限公司

ITEM NO.	DRAWN BY Feng_Li	DATE 2017-05-22
DWG NO. $\triangle B$ MSAS-XXPFFS-SF8001	CHECKED BY Jinhai	DATE 2017-05-22
CUSTOMER ALTW	APPROVED BY Jerry	DATE 2017-05-22