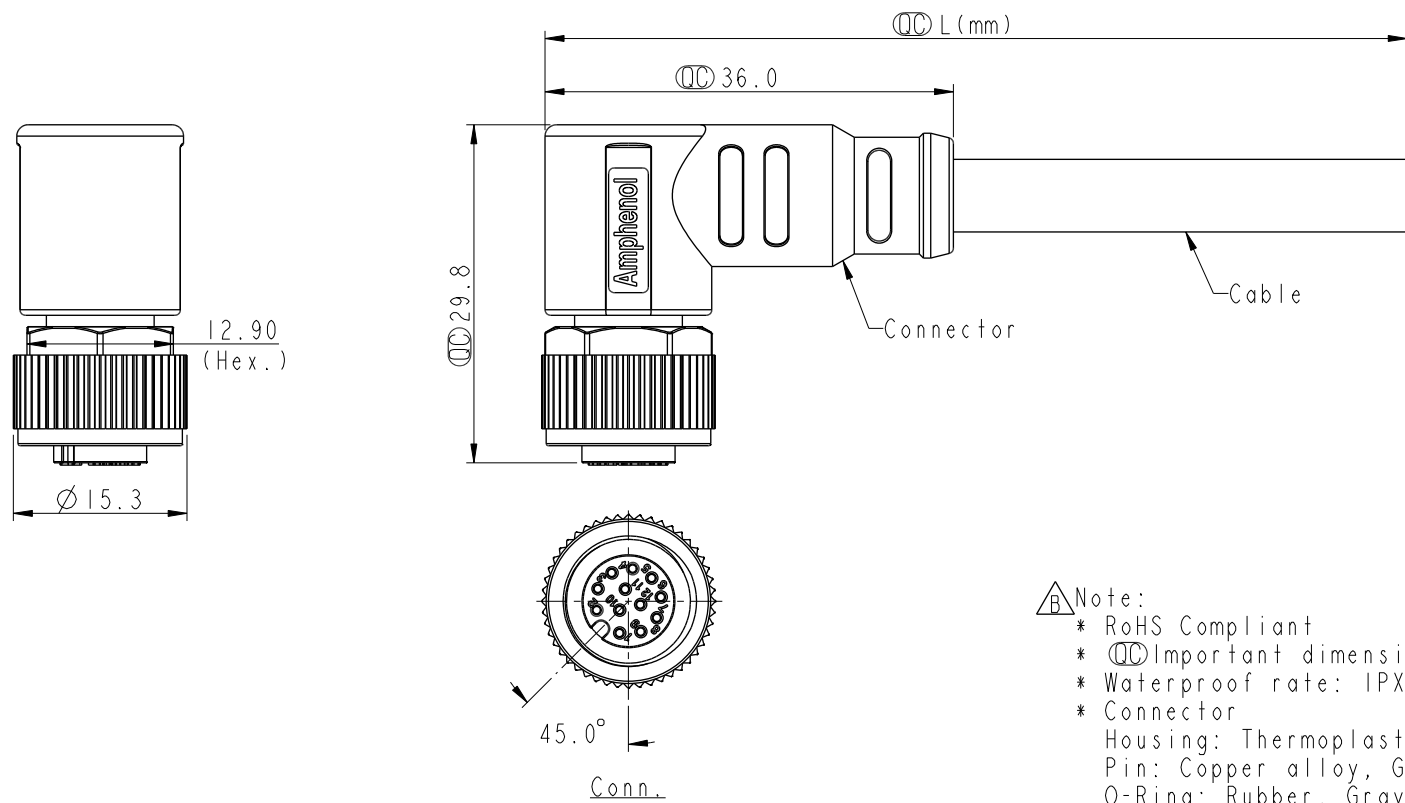


THIS DOCUMENT IS SUBJECT TO CHANGE WITHOUT NOTICE. IT IS CONFIDENTIAL AND A PROPERTY OF Amphenol LTW. DISCLOSURE TO THIRD PARTY HAS TO BE AUTHORIZED BY Amphenol LTW.

REV.	ECN NO.	DATE	SIGN	DESCRIPTION
A	Initial Released	2019/11/08	Brady	Initial Released
B	C210429	2021/03/25	Vicky	$\triangle B$ X3




- $\triangle B$ Note:
- * RoHS Compliant
 - * CC Important dimension
 - * Waterproof rate: IPX8, mated 1m/24h
 - * Connector
 - Housing: Thermoplastic, Black
 - Pin: Copper alloy, Gold plated
 - O-Ring: Rubber, Gray
 - Nut: Metal
 - Shield: Metal
 - Outer mold: Thermoplastic, Black
 - * Cable: UL20549, Shield, PU Jacket, Black
 - * Cable length tolerance: 1M: +50/-0 mm

1M < L ≤ 3M	: +100/-0 mm
3M < L ≤ 5M	: +150/-0 mm
5M < L ≤ 10M	: ±100 mm
10M < L ≤ 20M	: ±200 mm
20M < L ≤ 30M	: ±300 mm
30M < L ≤ 99M	: ±500 mm

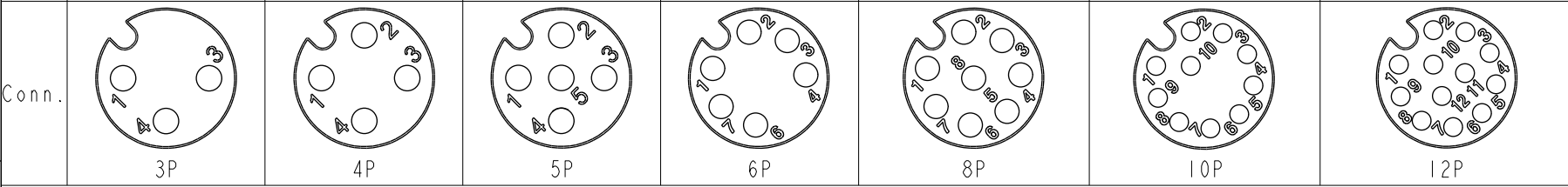
UNIT: mm TOLERANCE ± 0.5 mm	TITLE N SEN, M12 A -SHLD, SCREW CABLE W/O SR, F, F, MOLDING			<h1>Amphenol LTW</h1> <p>安費諾亮泰企業股份有限公司</p>	ITEM NO	DRAWN BY Brady Chung	DATE 2019/11/08
	SCALE 3:2	SIZE A4	SHEET 1 OF 2		DWG NO MSAS-XXBFFM-SR8BXX	CHECKED BY Jane Wang	DATE 2019/11/08
	REV. B	WC-REV. A.5	CC : Inspection item		CUSTOMER ALTW	APPROVED BY Neo Tsai	DATE 2019/11/08

THIS DOCUMENT IS SUBJECT TO CHANGE WITHOUT NOTICE. IT IS CONFIDENTIAL AND A PROPERTY OF Amphenol LTW. DISCLOSURE TO THIRD PARTY HAS TO BE AUTHORIZED BY Amphenol LTW.

12P	6.4	26	MSAS-12BFFM-SR8BXX
8P	5.8	24	MSAS-08BFFM-SR8BXX
5P	5.7	22	MSAS-05BFFM-SR8BXX
Contacts	Cable OD	AWG	Item No.

 MSAS-XXBFFM-SR8BXX
 XX: No. Of Pin
 XX: 01~99Meters
 01: 01Meter
 02: 02Meters
 .
 99: 99Meters

Pin Out	Shield	Braid	Shield	Braid	Shield	Braid	Shield	Braid	Shield	Braid	Shield	Braid	
5	--		5	--	5	Gray	灰	5	--		5	Gray	灰
4	Black	黑	4	Black	4	Black	黑	4	Yellow	黃	4	Yellow	黃
3	Blue	藍	3	Blue	3	Blue	藍	3	Green	綠	3	Green	綠
2	--		2	White	2	White	白	2	Brown	棕	2	Brown	棕
1	Brown	棕	1	Brown	1	Brown	棕	1	White	白	1	White	白
Pin #	Wire		Pin #	Wire	Pin #	Wire		Pin #	Wire		Pin #	Wire	



Pin Assignments Front View

UNIT: mm		TITLE N SEN, M12 A -SHLD, SCREW CABLE W/O SR, F, F, MOLDING	Amphenol LTW		ITEM NO	DRAWN BY Brady Chung	DATE 2019/11/08
TOLERANCE ±0.5mm		SCALE 3:2	SIZE A4	SHEET 2 OF 2	DWG NO MSAS-XXBFFM-SR8BXX	CHECKED BY Jane Wang	DATE 2019/11/08
		REV. B	WC-REV. A.5	 Inspection item	CUSTOMER ALTW	APPROVED BY Neo Tsai	DATE 2019/11/08

安費諾亮泰企業股份有限公司