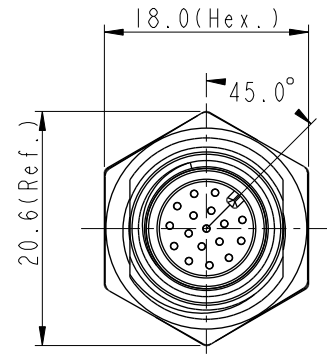
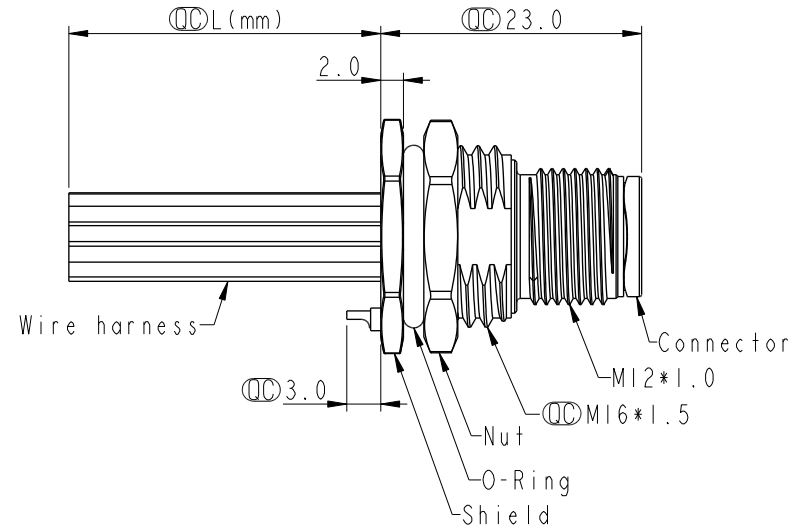
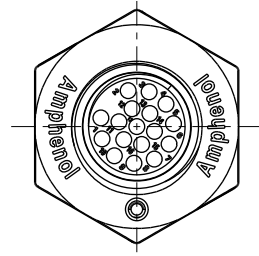
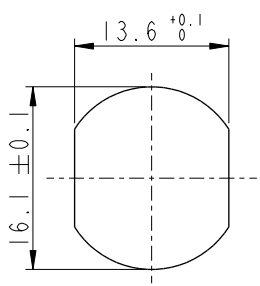


THIS DOCUMENT IS SUBJECT TO CHANGE WITHOUT NOTICE. IT IS CONFIDENTIAL AND A PROPERTY OF Amphenol LTW. DISCLOSURE TO THIRD PARTY HAS TO BE AUTHORIZED BY Amphenol LTW.

REV.	ECN NO.	DATE	SIGN	DESCRIPTION
D	C201627	2020/10/22	Vicky	$\triangle D$ X4
E	C210076	2021/01/14	Vicky	$\triangle E$ X2
F	C210241	2021/04/13	Ruru	$\triangle F$ X4



- Note:  $\triangle B \triangle D \triangle E \triangle F$
- \* RoHS Compliant
  - \*  $\text{\textcircled{Q}}$  Important dimension
  - \* Waterproof rate: IPX8, unmated 1m/24h  
IPX9K, unmated
  - \* Connector  
Housing: Thermoplastic, Black  
Pin: Copper alloy, Gold plated
  - \* Shield: Metal
  - \* Nut: Metal
  - \* O-Ring: Rubber, Black
  - \* Wire harness: UL1061
  - \* For panel thickness max: 4.5mm
  - \* O-Ring and nut are assembled on connectors
  - \* Wire harness tolerance: 100mm:  $\pm 10$ mm  
100mm < L  $\leq$  300mm:  $\pm 15$ mm  
300mm < L  $\leq$  1000mm:  $\pm 20$ mm  
1000mm < L  $\leq$  1500mm:  $\pm 50$ mm



Recommended Panel Cut-Out

UNIT: mm		
TOLERANCE	.X	$\pm 0.25$
	.XX	$\pm 0.1$
	.XXX	$\pm 0.05$
ANGLES		$\pm 1^\circ$

TITLE N SEN, M12 A -SHLD, SCREW RECEPTACLE, M, M, FI/PANEL CRIMP $\triangle F$			
SCALE	1:1	SIZE	A4
SHEET	1	OF	2
REV.	F	WC-REV.	A.5
$\text{\textcircled{Q}}$ : Inspection item			

**Amphenol LTW**  
安費諾亮泰企業股份有限公司

ITEM NO	DWG NO	CUSTOMER	DRAWN BY	CHECKED BY	APPROVED BY	DATE
	MSAS-XXPMC-SF8CXX	ALTW	Vicky	Rita	Max	2019-09-24

THIS DOCUMENT IS SUBJECT TO CHANGE WITHOUT NOTICE. IT IS CONFIDENTIAL AND A PROPERTY OF Amphenol LTW. DISCLOSURE TO THIRD PARTY HAS TO BE AUTHORIZED BY Amphenol LTW.

△	17P	26	MSAS-17PMMC-SF8CXX
	5P	22	MSAS-05PMMC-SF8CXX
	4P		MSAS-04PMMC-SF8CXX
	3P		MSAS-03PMMC-SF8CXX
Contacts	AWG	Item No.	

△B△D△F  
MSAS-XXPMMC-SF8CXX

XX: No. Of Pin

10: 100mm  
 15: 150mm  
 20: 200mm  
 ↓  
 95: 950mm  
 Cable Pitch Unit=50mm  
  
 A0: 1000mm  
 ↓  
 A5: 1500mm  
 Cable Pitch Unit=100mm  
 Wire Length (L): 150~1500 mm

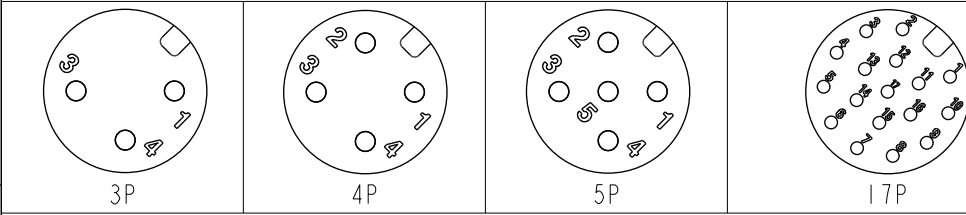
△C

17	White/Gray	白/灰
16	Yellow/Brown	黃/棕
15	White/Yellow	白/黃
14	Brown/Green	棕/綠
13	White/Green	白/綠
12	Red/Blue	紅/藍
11	Gray/Pink	灰/粉
10	Violet	紫
9	Red	紅
8	Gray	灰
7	Black	黑
6	Yellow	黃
5	Pink	粉
4	Green	綠
3	White	白
2	Blue	藍
1	Brown	棕

5	--	黑	5	--	灰	5	Gray	灰
4	Black	黑	4	Black	黑	4	Black	黑
3	Blue	藍	3	Blue	藍	3	Blue	藍
2	--		2	White	白	2	White	白
1	Brown	棕	1	Brown	棕	1	Brown	棕

Pin # Wire Pin # Wire Pin # Wire Pin # Wire

Pin Out



Pin Assignments Front View

UNIT: mm			TITLE N SEN, M12 A -SHLD, SCREW RECEPTACLE, M, M, FI/PANEL CRIMP △F		
TOLERANCE .X ±0.25 .XX ±0.1 .XXX ±0.05 ANGLES ±1°	SCALE 1:1	SIZE A4	SHEET 2 OF 2	REV. F	WC-REV. A.5
			◎: Inspection item		

**Amphenol LTW**  
安費諾亮泰企業股份有限公司

ITEM NO	DRAWN BY Vicky	DATE 2019-09-24
DWG NO △ MSAS-XXPMMC-SF8CXX	CHECKED BY Rita	DATE 2019-09-24
CUSTOMER ALTW	APPROVED BY Max	DATE 2019-09-24