

REV.	ECN NO.	DATE	SIGN	DESCRIPTION
B	C200793	2020/06/03	JC Chen	△ B X1
C	C201548	2020/10/12	Vicky	△ C X2
D	C210561	2021/04/19	Vicky	△ D X2

F

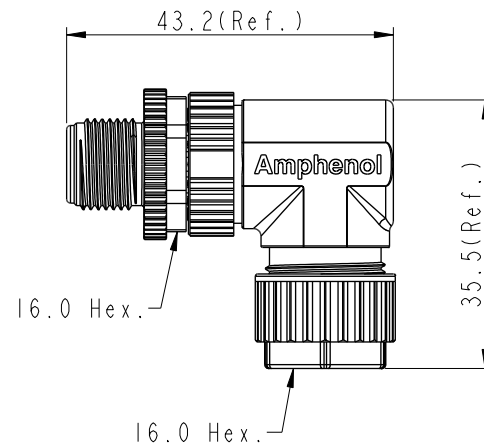
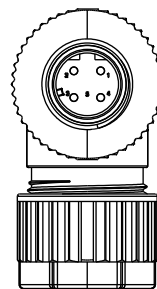
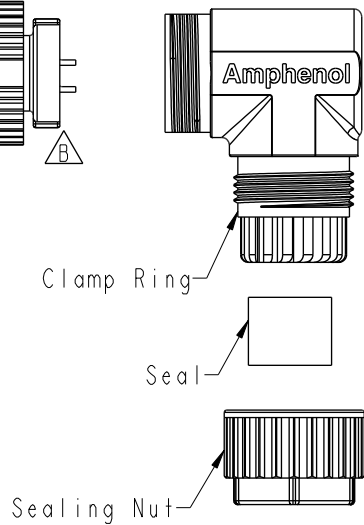
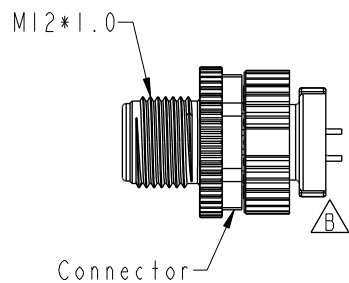
E

D

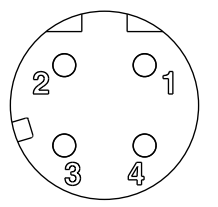
C

B

A



△ MSDP-XXBMMA-SR7001  
XX: No. Of Pin



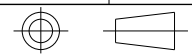
Pin Assignments  
Front View



Note:

- \* RoHS Compliant
- \* Ⓞ Important Dimension
- \* Waterproof rate: IPX7, mated
- \* Connector
- Housing: Thermoplastic, Black
- Pin: Copper alloy, Gold plated
- Extension Nut: Thermoplastic, Black
- Nut: Thermoplastic, Black
- O-Ring: Rubber, Gray
- \* Clamp Ring: Thermoplastic, Black
- \* Sealing Nut: Thermoplastic, Black
- \* Seal: Rubber, Gray, OD:∅4.0mm~∅7.0mm
- \* One set unassembled in one pe bag

UNIT:mm



TITLE N SEN, M12 D -PLASTIC, SCREW CABLE W/O SR, M, M, FI SOLDER			
SCALE 1:1	SIZE A4	SHEET 1 OF 1	
REV. D	WC-REV. A.5	Ⓞ: Inspection item	

**Amphenol LTW**  
安費諾亮泰企業股份有限公司

ITEM NO	DRAWN BY JC Chen	DATE 2020-04-17
DWG NO MSDP-XXBMMA-SR7001	CHECKED BY Li Feng	DATE 2020-04-17
CUSTOMER ALTW	APPROVED BY Jerry	DATE 2020-04-17

THIS DOCUMENT IS SUBJECT TO CHANGE WITHOUT NOTICE. IT IS CONFIDENTIAL AND A PROPERTY OF Amphenol LTW. DISCLOSURE TO THIRD PARTY HAS TO BE AUTHORIZED BY Amphenol LTW.