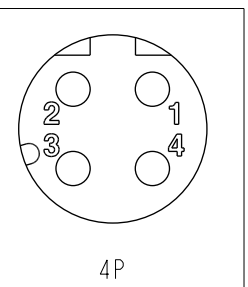
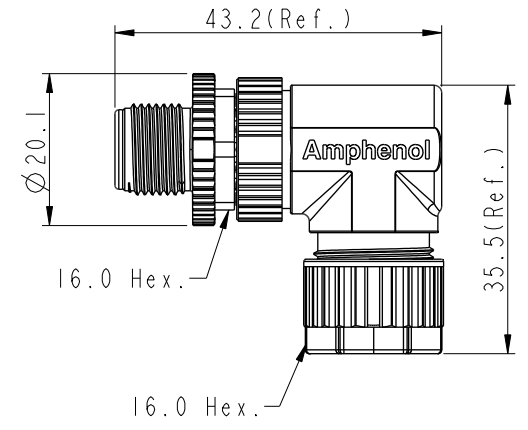
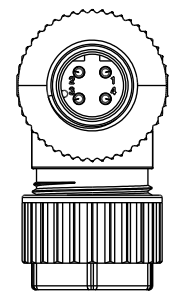
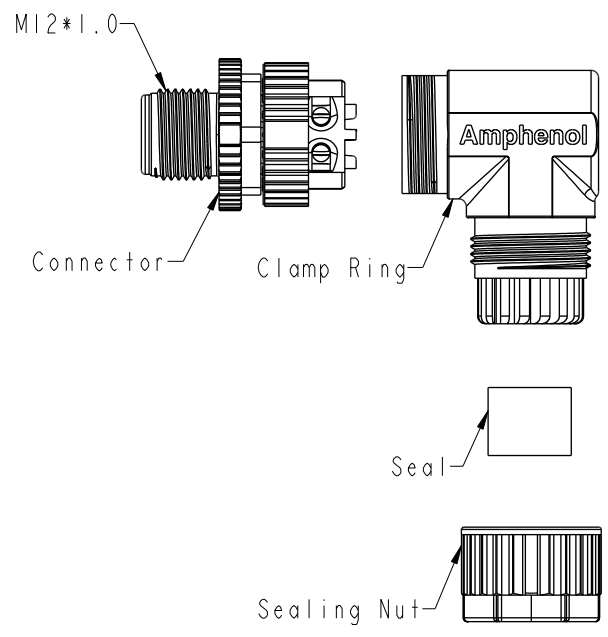


THIS DOCUMENT IS SUBJECT TO CHANGE WITHOUT NOTICE. IT IS CONFIDENTIAL AND A PROPERTY OF Amphenol LTW. DISCLOSURE TO THIRD PARTY HAS TO BE AUTHORIZED BY Amphenol LTW.

REV.	ECN NO.	DATE	SIGN	DESCRIPTION
A	Initial Release	2015/10/13	Mila	Change Rev. I To Rev.A
B	C201548	2020/10/12	Vicky	$\triangle B$ X4
C	C210561	2021/04/19	Vicky	$\triangle C$ X3

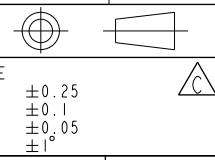


$\triangle B$ MSDP-XXBMMB-SR7001
 XX: No. Of Pin

$\triangle B$ $\triangle C$
 Note:

- * RoHS Compliant
- * $\text{\textcircled{C}}$ Important Dimension
- * Waterproof rate: IPX7, mated
- * Connector
 - Housing: Thermoplastic, Black
 - Pin: Copper alloy, Gold plated
 - Extension Nut: Thermoplastic, Black
 - Nut: Thermoplastic, Black
 - O-Ring: Rubber, Gray
- * Clamp Ring: Thermoplastic, Black
- * Sealing Nut: Thermoplastic, Black
- * Seal: Rubber, Gray, OD: $\text{\textcircled{O}}4.0\text{mm} \sim \text{\textcircled{O}}7.0\text{mm}$
- * One set unassembled in one pe bag

UNIT:mm	
TOLERANCE	± 0.25
.X	± 0.1
.XX	± 0.05
.XXX	$\pm 1^\circ$
ANGLES	



TITLE N SEN, M12 D -PLASTIC, SCREW CABLE W/O SR, M, M, FI SCREW IN			
SCALE 1:1	SIZE A4	SHEET 1 OF 1	
REV. C	WC-REV. A.1	$\text{\textcircled{C}}$: Inspection item	

Amphenol LTW
 安費諾亮泰企業股份有限公司

ITEM NO	DWG NO $\triangle B$ MSDP-XXBMMB-SR7001
CUSTOMER ALTW	

DRAWN BY Mila	CHECKED BY Cary
APPROVED BY Jerry	

DATE 2015-10-13	DATE 2015-10-13
DATE 2015-10-13	