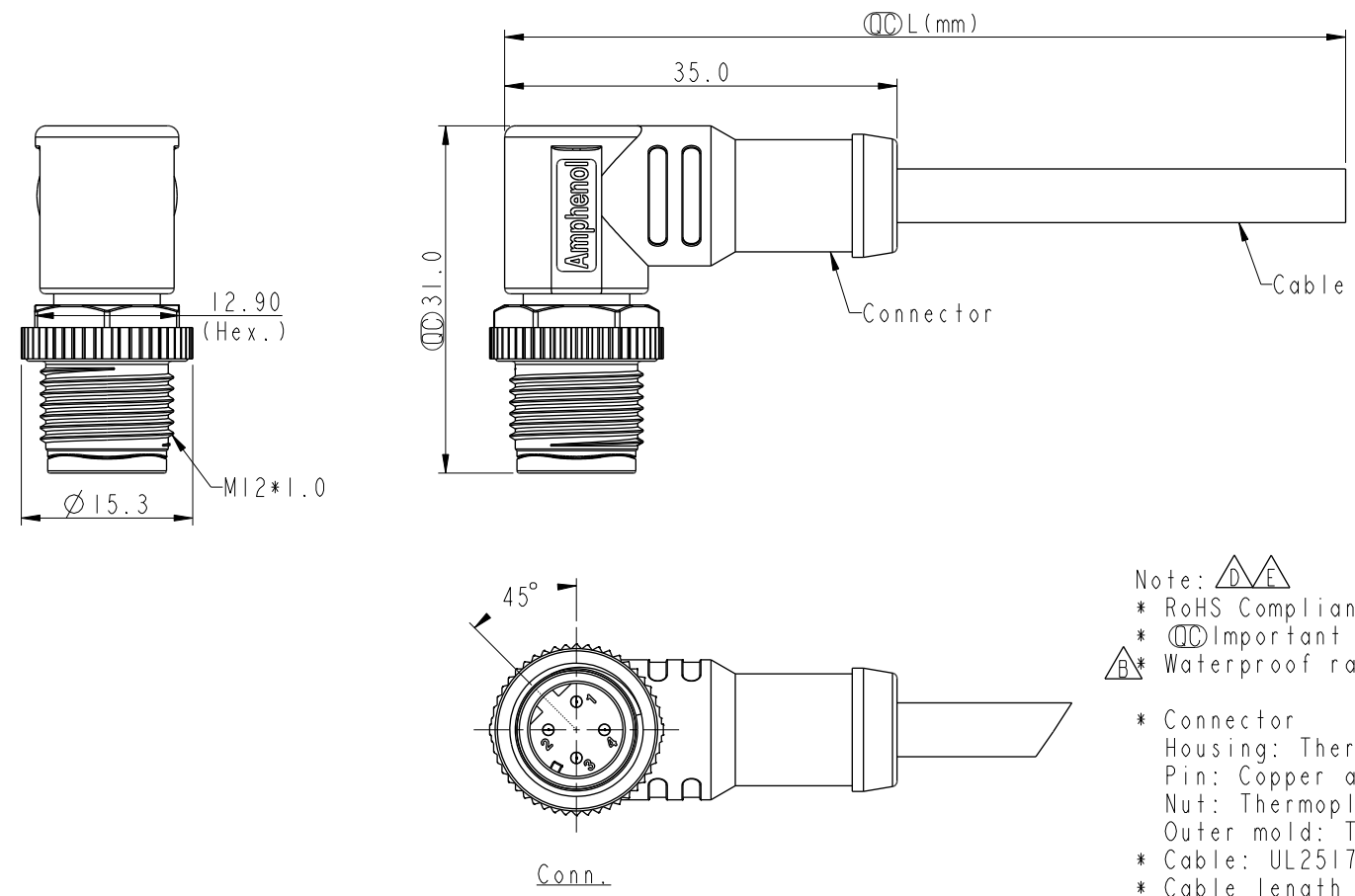


THIS DOCUMENT IS SUBJECT TO CHANGE WITHOUT NOTICE. IT IS CONFIDENTIAL AND A PROPERTY OF Amphenol LTW. DISCLOSURE TO THIRD PARTY HAS TO BE AUTHORIZED BY Amphenol LTW.

REV.	ECN NO.	DATE	SIGN	DESCRIPTION
C	LEN1710045-047	2017/01/07	Yulong_wang	Change the Front View.
D	C201548	2020/10/13	Vicky	$\triangle D$ X4
E	C210211	2021/03/22	Ruru	$\triangle E$ X3



- Note: $\triangle D$ $\triangle E$
- * RoHS Compliant
 - * \circ Important dimension
 - $\triangle B$ * Waterproof rate: IPX8, mated 1m/24h
IPX9K, mated
 - * Connector
 - Housing: Thermoplastic, Black
 - Pin: Copper alloy, Gold plated
 - Nut: Thermoplastic, Black
 - Outer mold: Thermoplastic, Black
 - * Cable: UL2517, PVC Jacket, Yellow
 - * Cable length tolerance: 1M: +50/-0 mm
 - 1M < L ≤ 3M: +100/-0 mm
 - 3M < L ≤ 5M: +150/-0 mm
 - 5M < L ≤ 10M: ±100 mm
 - 10M < L ≤ 20M: ±200 mm
 - 20M < L ≤ 30M: ±300 mm
 - 30M < L ≤ 99M: ±500 mm

UNIT: mm TOLERANCE ±0.5mm	TITLE N SEN, M12 D -PLASTIC, SCREW CABLE W/O SR, M, M, MOLDING $\triangle E$			<h1 style="margin: 0;">Amphenol LTW</h1> <p style="margin: 0;">安費諾亮泰企業股份有限公司</p>	ITEM NO	DRAWN BY Yulong_wang	DATE 2017-01-07
	SCALE 3:2	SIZE A4	SHEET 1 OF 2		DWG NO \triangle MSDP-XXBMM-SR8AXX	CHECKED BY Jinhai	DATE 2017-01-07
	REV. E	WC-REV. A.2	\circ Inspection item		CUSTOMER ALTW	APPROVED BY Jerry	DATE 2017-01-07

THIS DOCUMENT IS SUBJECT TO CHANGE WITHOUT NOTICE. IT IS CONFIDENTIAL AND A PROPERTY OF Amphenol LTW. DISCLOSURE TO THIRD PARTY HAS TO BE AUTHORIZED BY Amphenol LTW.

5P	5.1	22	MSDP-05BMMM-SR8AXX
4P	4.8		MSDP-04BMMM-SR8AXX
3P	4.5		MSDP-03BMMM-SR8AXX
Contacts	Cable OD	AWG	Item No.

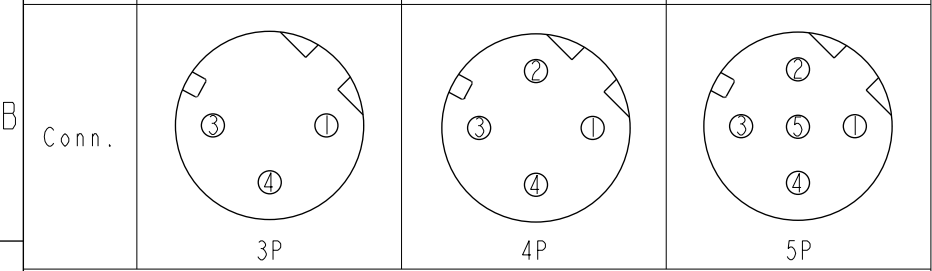
△
MSDP-XXBMMM-SR8AXX

XX: No. Of Pin

XX: 01~99Meters
 01: 01Meter
 02: 02Meters
 .
 99: 99Meters

Pin Out	5	--		5	--		5	Gray	灰
	4	Black	黑	4	Black	黑	4	Black	黑
	3	Blue	藍	3	Blue	藍	3	Blue	藍
	2	--		2	White	白	2	White	白
	1	Brown	棕	1	Brown	棕	1	Brown	棕
	Pin #	Wire		Pin #	Wire		Pin #	Wire	

△B△C



Pin Assignments Front View

UNIT:mm		TITLE	N SEN, M12 D -PLASTIC, SCREW CABLE W/O SR, M, M, MOLDING △E	
TOLERANCE	±0.5mm	SCALE	3:2	SIZE A4
		REV.	E	WC-REV. A.2
				◎: Inspection item
				SHEET 2 OF 2

Amphenol LTW
 安費諾亮泰企業股份有限公司

ITEM NO	MSDP-XXBMMM-SR8AXX	DRAWN BY	Yulong_wang	DATE	2017-01-07
DWG NO	MSDP-XXBMMM-SR8AXX	CHECKED BY	Jinhai	DATE	2017-01-07
CUSTOMER	ALTW	APPROVED BY	Jerry	DATE	2017-01-07