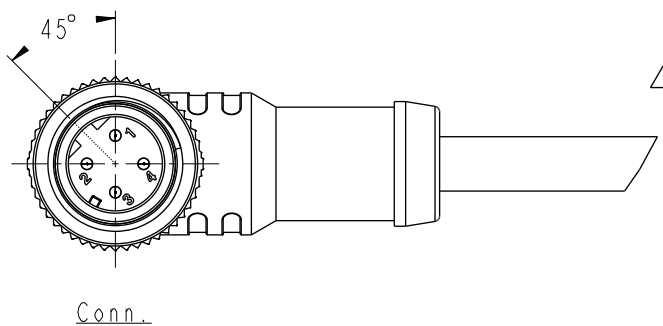
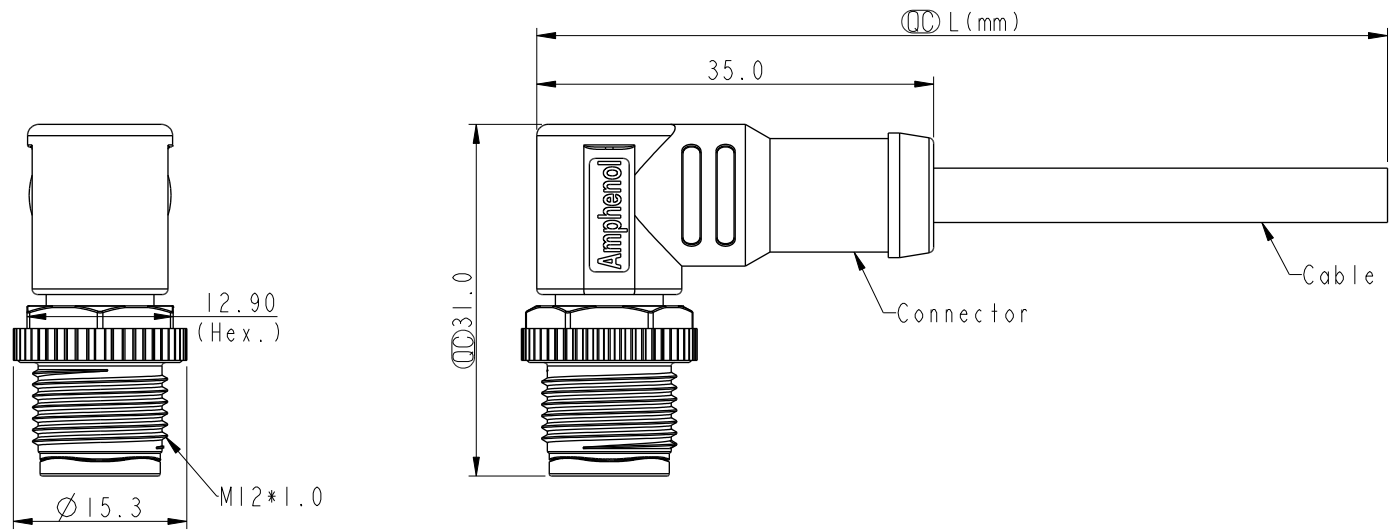


THIS DOCUMENT IS SUBJECT TO CHANGE WITHOUT NOTICE. IT IS CONFIDENTIAL AND A PROPERTY OF Amphenol LTW. DISCLOSURE TO THIRD PARTY HAS TO BE AUTHORIZED BY Amphenol LTW.

REV.	ECN NO.	DATE	SIGN	DESCRIPTION
C	LEN1710045-047	2017/01/07	Yulong_wang	Change the Front View.
D	C201548	2020/10/13	Vicky	$\triangle D$ X4
E	C210211	2021/03/22	Ruru	$\triangle E$ X3



Note:  $\triangle D$   $\triangle E$   
 \* RoHS Compliant  
 \*  $\text{CC}$  Important dimension  
 $\triangle B$ \* Waterproof rate: IPX8, mated 1m/24h  
 IPX9K, mated

\* Connector  
 Housing: Thermoplastic, Black  
 Pin: Copper alloy, Gold plated  
 Nut: Thermoplastic, Black  
 Outer mold: Thermoplastic, Black  
 \* Cable: UL2517, PVC Jacket, Black  
 \* Cable length tolerance: 1M: +50/-0 mm  
 1M < L ≤ 3M: +100/-0 mm  
 3M < L ≤ 5M: +150/-0 mm  
 5M < L ≤ 10M: ±100 mm  
 10M < L ≤ 20M: ±200 mm  
 20M < L ≤ 30M: ±300 mm  
 30M < L ≤ 99M: ±500 mm

UNIT: mm  
 TOLERANCE  
 ±0.5mm

TITLE N SEN, M12 D -PLASTIC, SCREW CABLE W/O SR, M, M, MOLDING $\triangle E$			
SCALE 3:2	SIZE A4	SHEET 1 OF 2	
REV. E	WC-REV. A.2	$\text{CC}$ : Inspection item	

**Amphenol LTW**  
 安費諾亮泰企業股份有限公司

ITEM NO.	DRAWN BY Yulong_wang	DATE 2017-01-07
DWG NO. $\triangle A$ MSDP-XXBMMM-SR8DXX	CHECKED BY Jinhai	DATE 2017-01-07
CUSTOMER ALTW	APPROVED BY Jerry	DATE 2017-01-07

THIS DOCUMENT IS SUBJECT TO CHANGE WITHOUT NOTICE. IT IS CONFIDENTIAL AND A PROPERTY OF Amphenol LTW. DISCLOSURE TO THIRD PARTY HAS TO BE AUTHORIZED BY Amphenol LTW.

5P	5.1	22	MSDP-05BMMM-SR8DXX
4P	4.8		MSDP-04BMMM-SR8DXX
3P	4.5		MSDP-03BMMM-SR8DXX
Contacts	Cable OD	AWG	Item No.

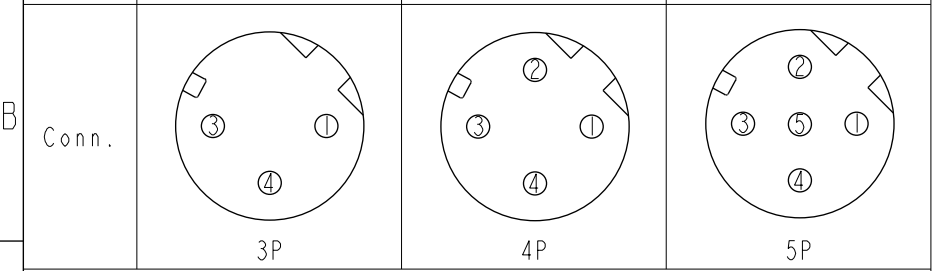
△  
MSDP-XXBMMM-SR8DXX

XX: No. Of Pin


XX:01~99Meters  
01:01Meter  
02:02Meters  
.  
99:99Meters

Pin Out	5	--		5	--		5	Gray	灰
	4	Black	黑	4	Black	黑	4	Black	黑
	3	Blue	藍	3	Blue	藍	3	Blue	藍
	2	--		2	White	白	2	White	白
	1	Brown	棕	1	Brown	棕	1	Brown	棕
	Pin #	Wire		Pin #	Wire		Pin #	Wire	

△B△C



Pin Assignments Front View

UNIT:mm		TITLE	N SEN, M12 D -PLASTIC, SCREW CABLE W/O SR, M, M, MOLDING △	
TOLERANCE	±0.5mm	SCALE	3:2	SIZE A4
		REV.	E	WC-REV. A.2
				◎: Inspection item
				SHEET 2 OF 2

**Amphenol LTW**  
安費諾亮泰企業股份有限公司

ITEM NO	MSDP-XXBMMM-SR8DXX	DRAWN BY	Yulong_wang	DATE	2017-01-07
DWG NO	MSDP-XXBMMM-SR8DXX	CHECKED BY	Jinhai	DATE	2017-01-07
CUSTOMER	ALTW	APPROVED BY	Jerry	DATE	2017-01-07