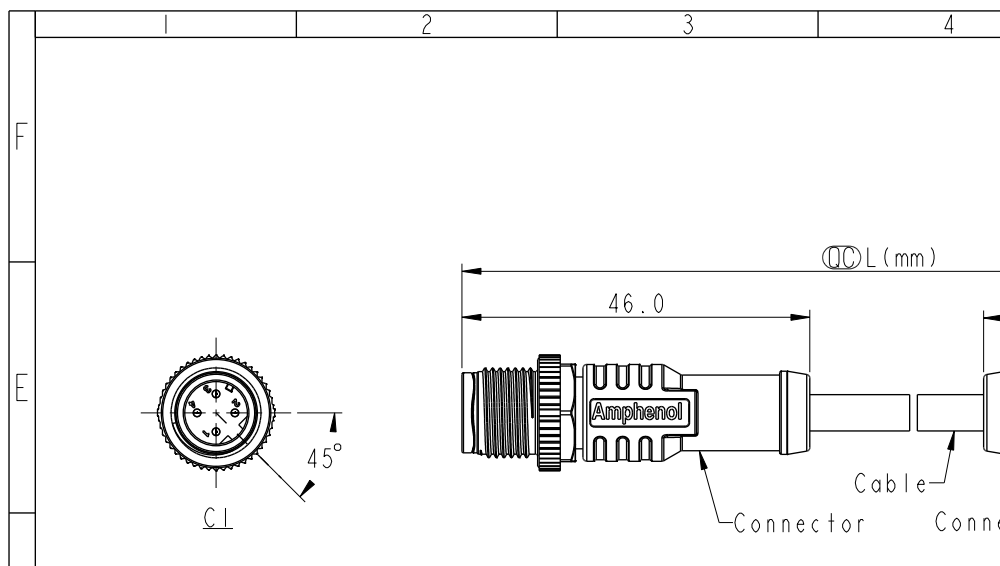


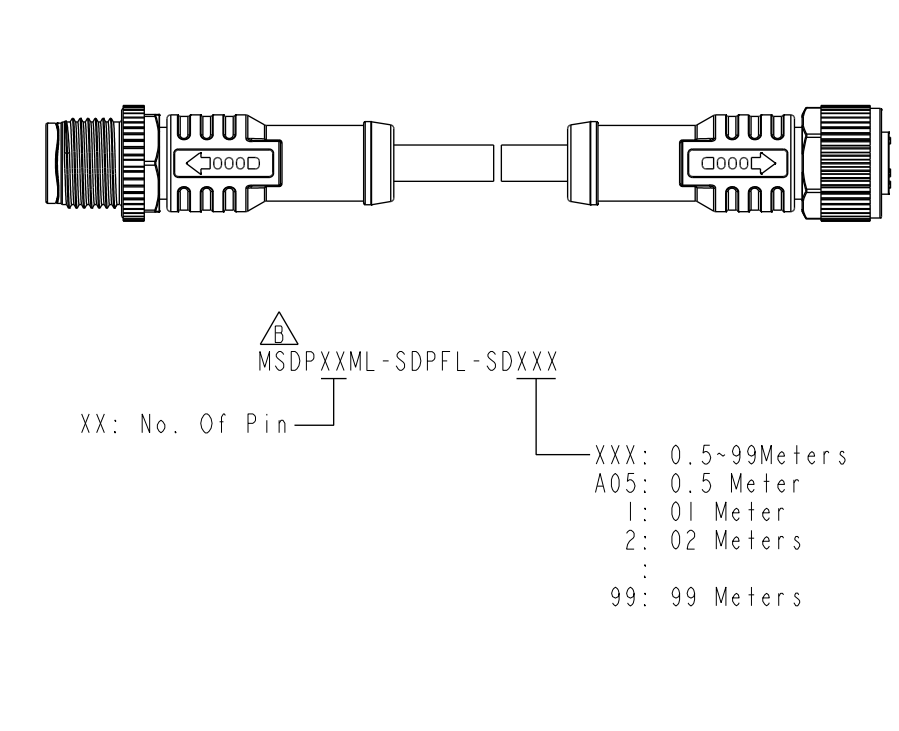
THIS DOCUMENT IS SUBJECT TO CHANGE WITHOUT NOTICE. IT IS CONFIDENTIAL AND A PROPERTY OF Amphenol LTW. DISCLOSURE TO THIRD PARTY HAS TO BE AUTHORIZED BY Amphenol LTW.

REV.	ECN NO.	DATE	SIGN	DESCRIPTION
B	C201786	2020/11/17	Ruru	$\triangle B$ X3
C	C210237	2021/03/26	Ruru	$\triangle C$ X2



Pin Out	5	--	黑 藍 白 棕
	4	Black	
Pin #	3	Blue	白 棕
	2	White	
Wire	1	Brown	
C2			
	4P		
C1			
	4P		

UNIT:mm		
TOLERANCE		± 0.5 mm



Note: $\triangle B \triangle C$

- * RoHS Compliant
- * \varnothing Important dimension
- * C1
Waterproof rate: IPX8, mated 1m/24h
IPX9K, mated
Housing: Thermoplastic, Black
Pin: Copper alloy, Gold plated
Nut: Thermoplastic, Black
Outer mold: Thermoplastic, Black
- * C2
Waterproof rate: IPX8, mated 1m/24h
IPX9K, mated
Housing: Thermoplastic, Black
Pin: Copper alloy, Gold plated
O-Ring: Rubber, Green
Nut: Thermoplastic, Black
Outer mold: Thermoplastic, Black
- * Cable: UL2517, 22#4C, OD=4.8mm, PVC Jacket, Black
- * Cable length tolerance: 0.5M < L ≤ 1M: +60/-0 mm
1M < L ≤ 3M: +120/-0 mm
3M < L ≤ 5M: +160/-0 mm
5M < L ≤ 10M: ±100 mm
10M < L ≤ 20M: ±200 mm
20M < L ≤ 30M: ±300 mm
30M < L ≤ 99M: ±500 mm

TITLE ACC, SEN, D Code, DB-ENDED MF $\triangle C$			
SCALE 1:2	SIZE A4	SHEET 1 OF 1	
REV. C	WC-REV. A.5	\varnothing : Inspection item	

Amphenol LTW
安費諾亮泰企業股份有限公司

ITEM NO	DRAWN BY Vicky	DATE 2018-12-12
DWG NO $\triangle B$ MSDPXXML-SDPFL-SDXXX	CHECKED BY Rita	DATE 2018-12-12
CUSTOMER ALTW	APPROVED BY Max	DATE 2018-12-12