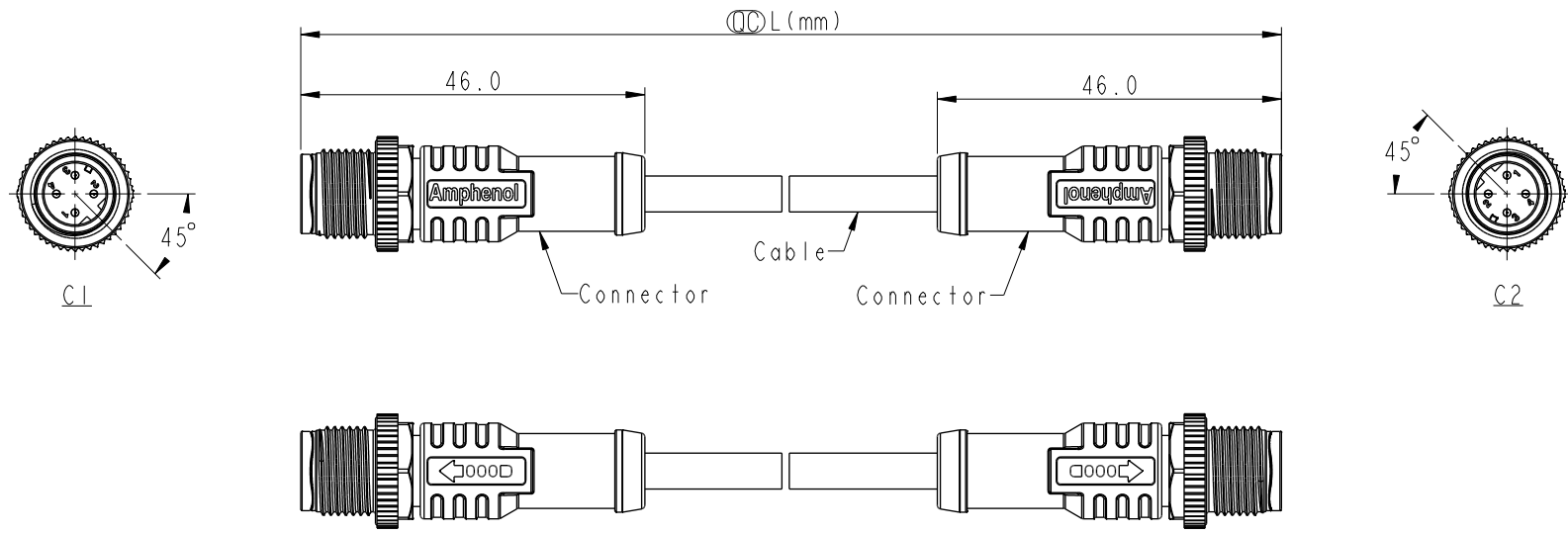
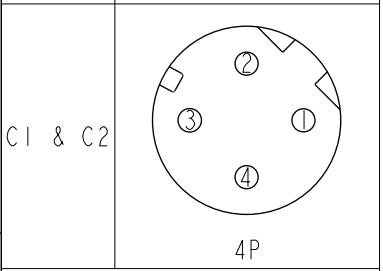


THIS DOCUMENT IS SUBJECT TO CHANGE WITHOUT NOTICE. IT IS CONFIDENTIAL AND A PROPERTY OF Amphenol LTW. DISCLOSURE TO THIRD PARTY HAS TO BE AUTHORIZED BY Amphenol LTW.

REV.	ECN NO.	DATE	SIGN	DESCRIPTION
B	C201809	2020/11/20	Vicky	X3
C	C210237	2021/03/29	Ruru	X2



Pin Out	Wire	Color
5	--	
4	Black	黑
3	Blue	藍
2	White	白
1	Brown	棕



MSDPXXML-SDPML-SBXXX
 XX: No. Of Pin
 XXX: 0.5~99Meters
 A05: 0.5 Meter
 001: 1 Meter
 002: 2 Meters
 :
 099: 99 Meters

- Note:
- * RoHS Compliant
 - * Important dimension
 - * Waterproof rate: IPX8, mated 1m/24h
IPX9K, mated
 - * Connector:
 Housing: Thermoplastic, Black
 Pin: Copper alloy, Gold plated
 Nut: Thermoplastic, Black
 Outer mold: Thermoplastic, Black
 - * Cable: UL20549, 22#4C, OD=4.0mm, PUR Jacket, Black
 - * Cable length tolerance: 0.5M < L ≤ 1M: +60/-0 mm
 1M < L ≤ 3M: +120/-0 mm
 3M < L ≤ 5M: +160/-0 mm
 5M < L ≤ 10M: ±100 mm
 10M < L ≤ 20M: ±200 mm
 20M < L ≤ 30M: ±300 mm
 30M < L ≤ 99M: ±500 mm

UNIT:mm		
TOLERANCE	±0.5 mm	

TITLE ACC, SEN, D Code, DB-ENDED MM			
SCALE 1:2	SIZE A4	SHEET 1 OF 1	
REV. C	WC-REV. A.5	Inspection item	

Amphenol LTW
 安費諾亮泰企業股份有限公司

ITEM NO	DRAWN BY Ruru	DATE 2018-12-12
DWG NO MSDPXXML-SDPML-SBXXX	CHECKED BY Rita	DATE 2018-12-12
CUSTOMER ALTW	APPROVED BY Max	DATE 2018-12-12