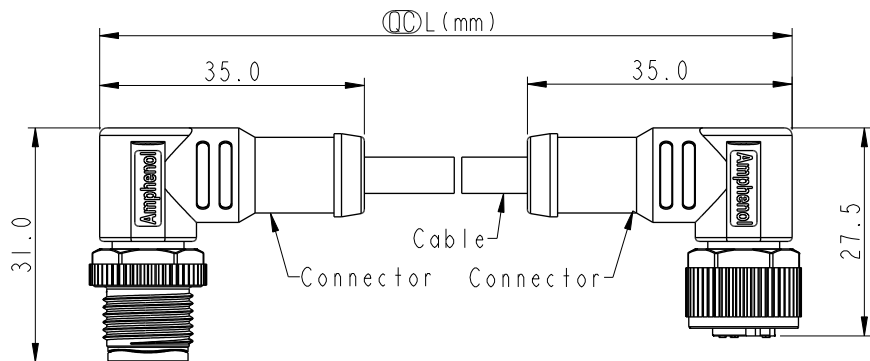


THIS DOCUMENT IS SUBJECT TO CHANGE WITHOUT NOTICE. IT IS CONFIDENTIAL AND A PROPERTY OF Amphenol LTW. DISCLOSURE TO THIRD PARTY HAS TO BE AUTHORIZED BY Amphenol LTW.

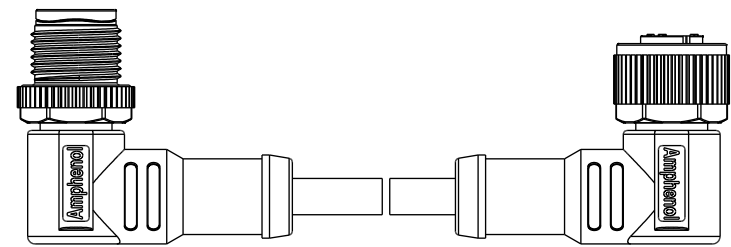
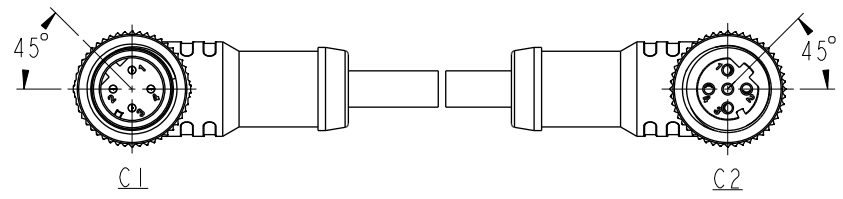
REV.	ECN NO.	DATE	SIGN	DESCRIPTION
B	C201809	2020/11/20	Vicky	$\triangle B$ X3
C	C210237	2021/03/29	Ruru	$\triangle C$ X2



$\triangle B$ MSDPXXMR-SDPFR-SDXXX

XX: No. Of Pin

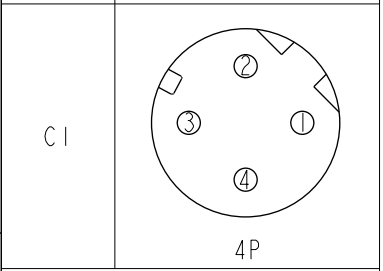
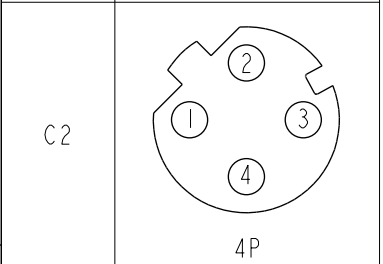
XXX: 0.5~99Meters
 A05: 0.5 Meter
 001: 1 Meter
 002: 2 Meters
 ...
 099: 99 Meters



Note: $\triangle B$ $\triangle C$

- * RoHS Compliant
- * \odot Important dimension
- * C1
 Waterproof rate: IPX8, mated 1m/24h
 IPX9K, mated
 Housing: Thermoplastic, Black
 Pin: Copper alloy, Gold plated
 Nut: Thermoplastic, Black
 Outer mold: Thermoplastic, Black
- * C2
 Waterproof rate: IPX8, mated 1m/24h
 IPX9K, mated
 Housing: Thermoplastic, Black
 Pin: Copper alloy, Gold plated
 O-Ring: Rubber, Green
 Nut: Thermoplastic, Black
 Outer mold: Thermoplastic, Black
- * Cable: UL2517, 22#*4C, OD=4.8mm, PVC Jacket, Black
- * Cable length tolerance: 0.5M < L ≤ 1M: +60/-0 mm
 1M < L ≤ 3M: +120/-0 mm
 3M < L ≤ 5M: +160/-0 mm
 5M < L ≤ 10M: ±100 mm
 10M < L ≤ 20M: ±200 mm
 20M < L ≤ 30M: ±300 mm
 30M < L ≤ 99M: ±500 mm

Pin Out	5 --	
	4 Black	黑
	3 Blue	藍
	2 White	白
	1 Brown	棕
Pin #	Wire	



Pin Assignments Front View

UNIT:mm	\odot	∇
TOLERANCE	±0.5 mm	

TITLE ACC, SEN, D Code, DB-ENDED MF			$\triangle C$
SCALE 1:1	SIZE A4	SHEET 1 OF 1	
REV. C	WC-REV. A.5	\odot : Inspection item	

Amphenol LTW
 安費諾亮泰企業股份有限公司

ITEM NO	DRAWN BY Ruru	DATE 2018-12-12
DWG NO $\triangle B$ MSDPXXMR-SDPFR-SDXXX	CHECKED BY Rita	DATE 2018-12-12
CUSTOMER ALTW	APPROVED BY Max	DATE 2018-12-12