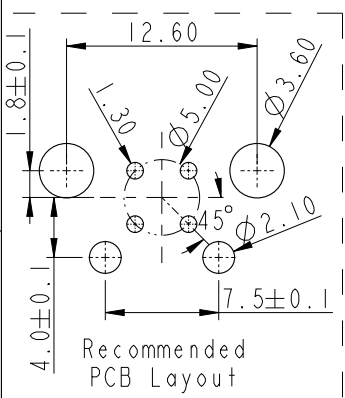
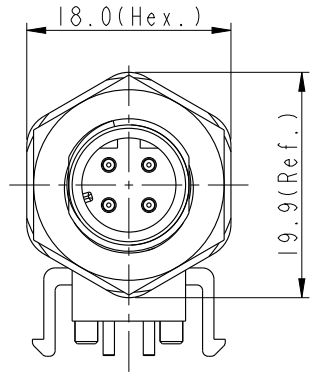
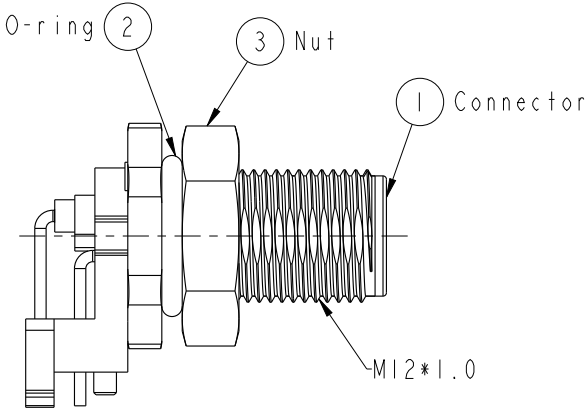
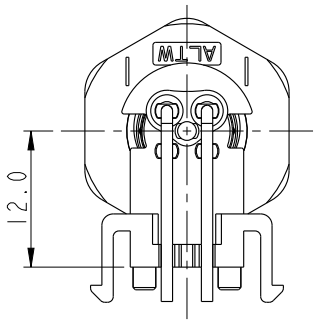
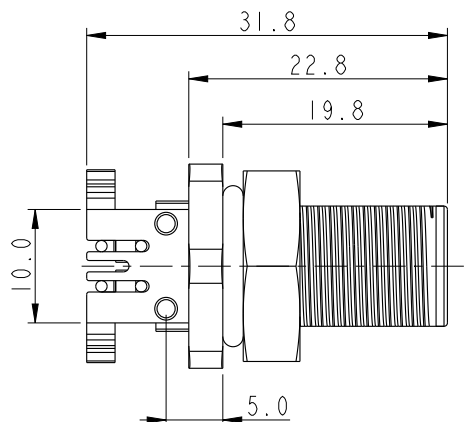


REV.	ECN NO.	DATE	SIGN	DESCRIPTION

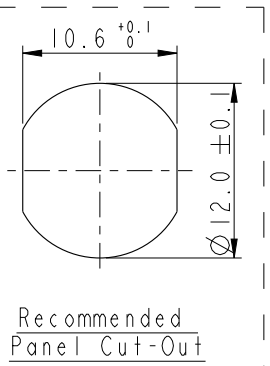
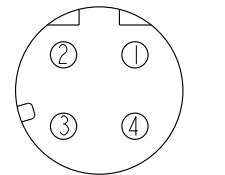
ALTW
CONFIDENTIAL
 2016-12-11
R&D DEPT.



ALTW
 DCC. DEPT.
 CONFIDENTIAL
 2016.12.21
ISSUED



- Note:
- * \varnothing Important Dimension To Check.
 - * Waterproof Rate: IP68
 IP68: 1M Depth Of Water In 24hours
 - * Connector: Nylon+GF, Black
 - * Male Pin: Copper Alloy, Gold Plated
 - * Shell: Nylon+GF, Black
 - * Nut: Nylon+GF, Black
 - * O-ring: Silicon, Gray
 - * Boardlock: PBT+PC, Black
 - * For Panel Thickness Max. 4.0mm
 - * For PCB Thickness Max. 1.6mm



UNIT: mm		
TOLERANCE	.X	±0.25
	.XX	±0.1
	.XXX	±0.05
ANGLES		±1°

TITLE SENSOR, M12 DCODE, 90° PANEL 4PIN MCONN MPIN, PLASTIC			
SCALE	3:2	SIZE	A4
REV.	A	WC-REV.	A.2
		Inspection item	

Amphenol LTW
 安費諾亮泰企業股份有限公司

ITEM NO.	MSDP-04PMMR-SF8003	DRAWN BY	Yulong_wang	DATE	2016-12-11
DWG NO.	MSDP-04PMMR-SF8003	CHECKED BY	Jinhai	DATE	2016-12-11
CUSTOMER	ALTW	APPROVED BY	Jerry	DATE	2016-12-11

THIS DOCUMENT IS SUBJECT TO CHANGE WITHOUT NOTICE. IT IS CONFIDENTIAL AND A PROPERTY OF Amphenol LTW. DISCLOSURE TO THIRD PARTY HAS TO BE AUTHORIZED BY Amphenol LTW.

F
E
D
C
B
A