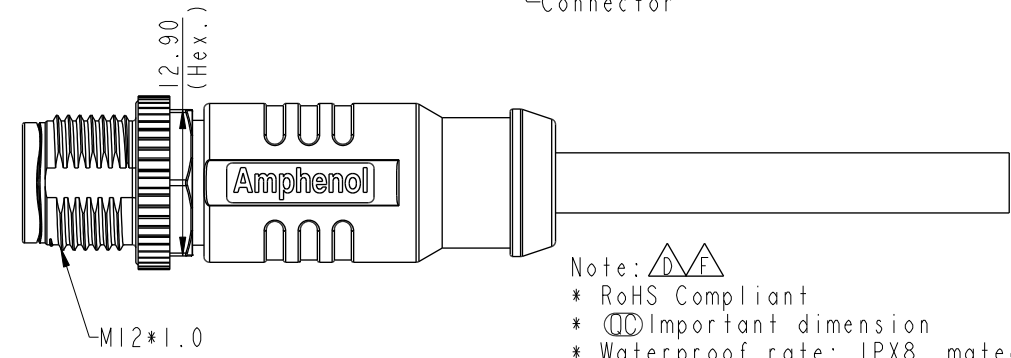
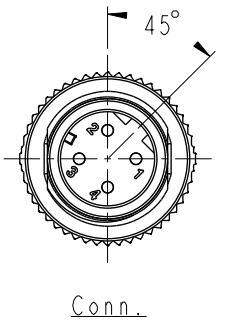
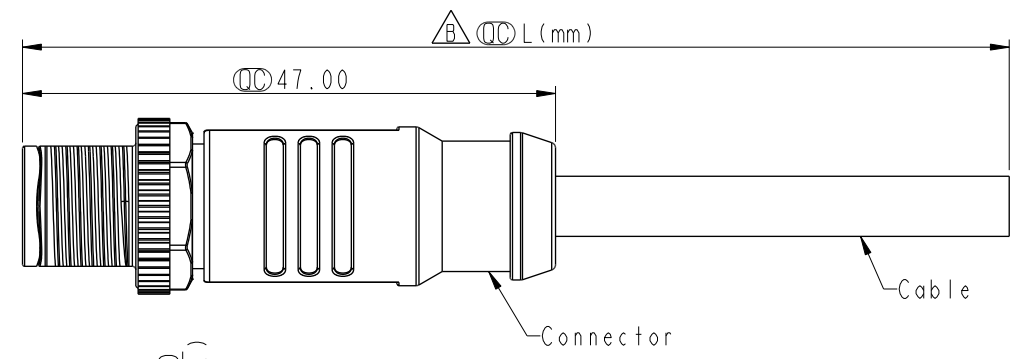


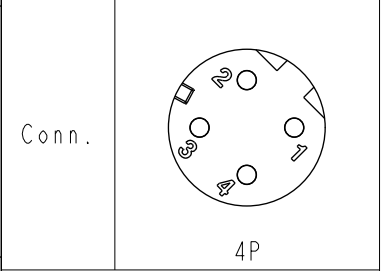
THIS DOCUMENT IS SUBJECT TO CHANGE WITHOUT NOTICE. IT IS CONFIDENTIAL AND A PROPERTY OF Amphenol LTW. DISCLOSURE TO THIRD PARTY HAS TO BE AUTHORIZED BY Amphenol LTW.

REV.	ECN NO.	DATE	SIGN	DESCRIPTION
D	C201548	2020/10/14	Vicky	△D X4
E	C210084	2021/01/18	Vicky	△E X1
F	C210211	2021/03/22	Ruru	△F X2

△D
MSDS-XXBMMM-SL8BXX
XX: No. Of Pin
XX: 01~99Meters
01: 01Meter
02: 02Meters
:
99: 99Meters



Pin Out	Shield	Braid
4	Black	黑
3	Blue	藍
2	White	白
1	Brown	棕
Pin #	Wire	



Note: △D △E
 * RoHS Compliant
 * Ⓞ Important dimension
 * Waterproof rate: IPX8, mated 1m/24h
 * Connector
 Housing: Thermoplastic, Black
 Pin: Copper alloy, Gold plated
 △E Nut: Metal
 Shield: Metal
 Outer mold: Thermoplastic, Black
 * Cable: UL20549, Shield, 22#*4C+AL/MY+B, OD=5.3, PU Jacket, Black
 * Cable length tolerance: 1M: +50/-0 mm
 1M < L ≤ 3M: +100/-0 mm
 3M < L ≤ 5M: +150/-0 mm
 5M < L ≤ 10M: ±100 mm
 10M < L ≤ 20M: ±200 mm
 20M < L ≤ 30M: ±300 mm
 30M < L ≤ 99M: ±500 mm

UNIT:mm		
TOLERANCE ±0.5mm		

TITLE N SEN, M12 D -SHLD, SCREW CABLE W/O SR, M, M, MOLDING △F			
SCALE 3:2	SIZE A4	SHEET 1 OF 1	
REV. F	WC-REV. A.1	Ⓞ: Inspection item	

Amphenol LTW
安費諾亮泰企業股份有限公司

ITEM NO	DRAWN BY Brady	DATE 2019/03/05
DWG NO △D MSDS-XXBMMM-SL8BXX	CHECKED BY Eagle	DATE 2019/03/05
CUSTOMER ALTW	APPROVED BY Neo	DATE 2019/03/05