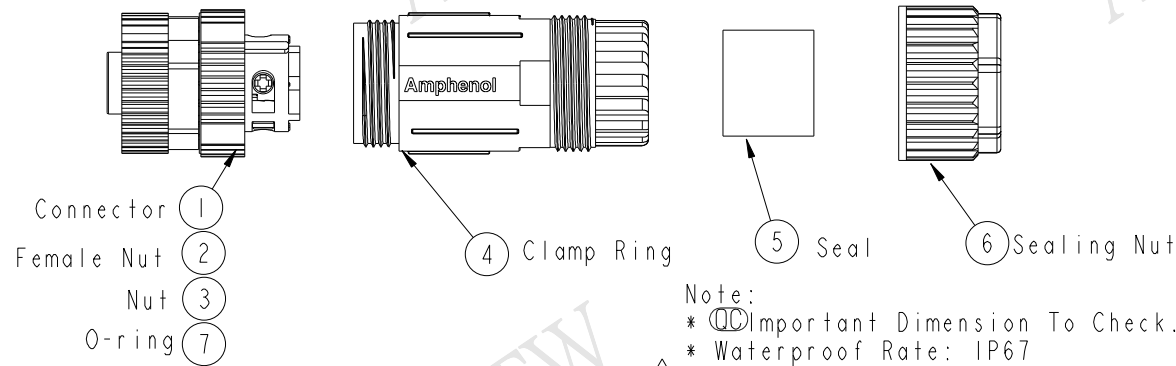
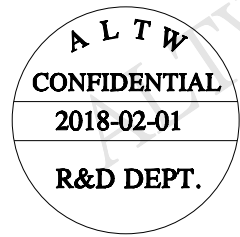
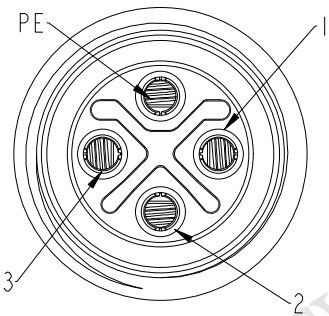


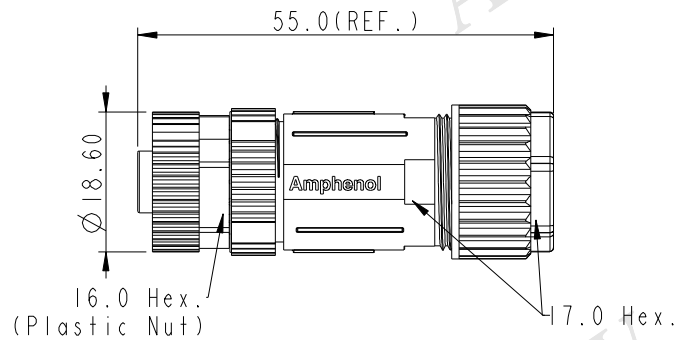
| REV. | ECN NO.         | DATE       | SIGN    | DESCRIPTION             |
|------|-----------------|------------|---------|-------------------------|
| A    | Initial Release | 2015-03-26 | Cary    | Change Rev. 01 to Rev.A |
| B    | LEN1820017      | 2018-02-01 | Feng_Li | Modify The Note         |



- Note:
- \*  $\text{CC}$  Important Dimension To Check.
  - \* Waterproof Rate: IP67
  - \*  $\triangle B$  Housing: Nylon+GF, UL94V-0, Black
  - \* Female Pin: Copper Alloy, Gold Plated
  - \* Female Nut: PBT, UL94V-0, Black
  - \* O-Ring: Silicon, UL94V-0, Gray
  - \* Clamp Ring: Nylon, UL94V-0, Black
  - \* Sealing Nut: PBT, UL94V-0, Black
  - \* Seals: Silicon, UL94V-0, Gray
  - \* Rated Voltage: 630V AC
  - \* Rated Current at 40°C: 12A
  - \* Operation Temperature: -40~105°C.
  - \* Seal For Cable Range OD:  $\varnothing 8.0\text{mm} \sim \varnothing 10.0\text{mm}$ , 16AWG
  - \* Screws for Wire connection recommended tightening torque: 0.61~0.84 kgf.cm / 0.059~0.082 N.m
  - \* Applicable Wire gauge (Stranded wire cross section) 0.52mm<sup>2</sup> (20AWG) ~ 1.31mm<sup>2</sup> (16AWG)
  - \* Mating Recommended tightening torque: 3~4 kgf.cm / 0.29~0.39 N.m
  - \* Sealing-Nut Recommended tightening torque: 4~6 kgf.cm / 0.39~0.59 N.m
  - \* Detailed applicable wire specifications may vary depending on the actual wire construction.



比例 3:1  
Pin Assignments  
Front View



|   |  |                                       |                |                               |                               |                      |                    |
|---|--|---------------------------------------|----------------|-------------------------------|-------------------------------|----------------------|--------------------|
| UNIT:mm   |  | TITLE<br>M12 S Code 4Pin F Conn. ASSY |                |                               | ITEM NO<br>MSSP-04BFFB-SL7002 | DRAWN BY<br>Feng_Li  | DATE<br>2018-02-01 |
|   |  | SCALE<br>1:1                          | SIZE<br>A4     | SHEET<br>1                    |                               |                      |                    |
| TOLERANCE<br>.X ±0.25<br>.XX ±0.1<br>.XXX ±0.05<br>ANGLES ±1° |  | REV.<br>B                             | WC-REV.<br>A.1 | $\text{CC}$ : Inspection item | CUSTOMER<br>ALTW              | APPROVED BY<br>Jerry | DATE<br>2018-02-01 |

**Amphenol LTW**  
安費諾亮泰企業股份有限公司

THIS DOCUMENT IS SUBJECT TO CHANGE WITHOUT NOTICE. IT IS CONFIDENTIAL AND A PROPERTY OF Amphenol LTW. DISCLOSURE TO THIRD PARTY HAS TO BE AUTHORIZED BY Amphenol LTW.