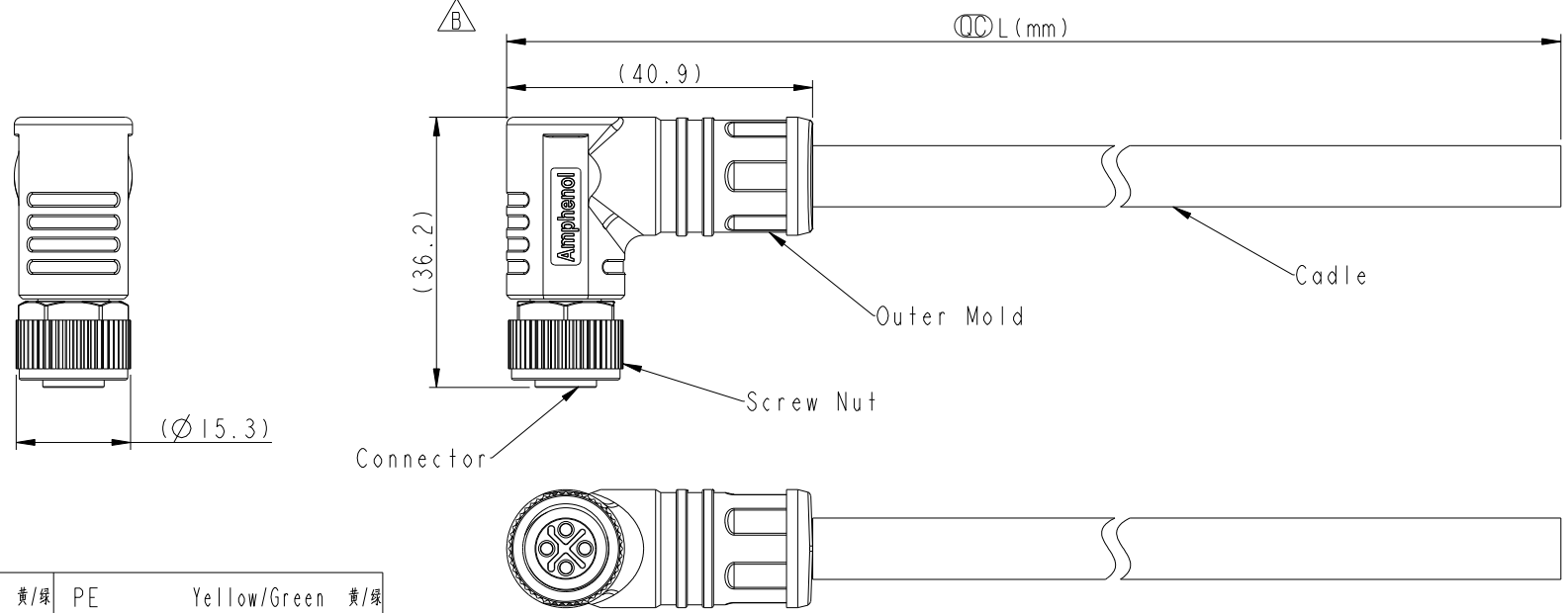
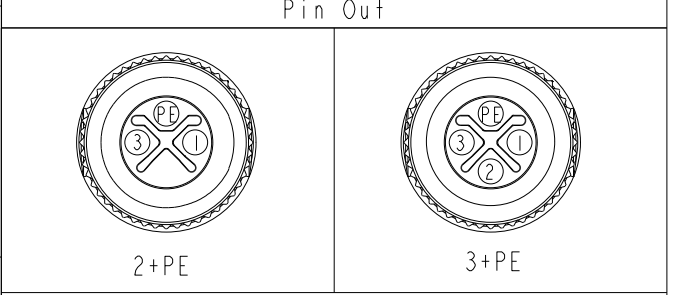


THIS DOCUMENT IS SUBJECT TO CHANGE WITHOUT NOTICE. IT IS CONFIDENTIAL AND A PROPERTY OF Amphenol LTW. DISCLOSURE TO THIRD PARTY HAS TO BE AUTHORIZED BY Amphenol LTW.

1		2		3		4		5		6		7		8	
4P	PVC	8.2	16	-20~105°C	MSSP-04BFFM-SR8GXX	REV.	ECN NO.	DATE	SIGN	DESCRIPTION					
3P		7.5			MSSP-03BFFM-SR8GXX	A	initial release	2021-10-04	Li Dai	Rev.01 to Rve.A					
4P	TPU	8.5		-25~85°C	MSSP-04BFFM-SR8SXX	B	C211619	2021/12/16	Li Dai	△BXI					
3P		7.8			MSSP-03BFFM-SR8SXX										
No. of Contact	Cable Jacket	Cable OD(mm)	AWG	Temperature range	Item No.										



PE	Yellow/Green	黄/绿	PE	Yellow/Green	黄/绿
3	Blue	蓝	3	Blue	蓝
1	Brown	棕	2	White	白
1	Brown	棕	1	Brown	棕
Pin #	Wire		Pin #	Wire	



Pin Assignments Front View

MSSP-XXBFFM-SR8XXX

- XX: 01~99 Meters
- 01: 01 Meter
- 02: 02 Meters
- .
- 99: 99 Meters
- G: Cable UL2586, PVC Jacket, Black.
- S: Cable UL20234, TPU Jacket, Black.

No. of Pin

- Notes:
- \*  $\varnothing$  Important Dimension to Check.
  - \* Waterproof Rate: IP68(1M, 24Hours).
  - \* Connector: Thermoplastic, Black.
  - \* Female Pin: Copper Alloy, Gold Plated.
  - \* Screw Nut: Thermoplastic, Black
  - \* Rated Voltage: 630V
  - \* Rated Current: 12A.
  - \* Cable Length Tolerance: 01M: +50/-0mm
  - >02M~03M: +100/-0mm
  - >03M~05M: +150/-0mm
  - >05M~10M: ±100mm
  - >10M~20M: ±200mm
  - >20M~30M: ±300mm
  - >30M~99M: ±500mm

UNIT:mm		TITLE M12 S Code, R/A, Plastic Screw Nut, Female Conn + Cable	
TOLERANCE	±0.5mm	SCALE 1:1	SIZE A4
		REV. B	WC-REV. .0
		SHEET 1 OF 1	
		QC: Inspection item	

Amphenol LTW

安費諾亮泰企業股份有限公司

ITEM NO	DRAWN BY	DATE
	Li Dai	2021-10-04
DWG NO	CHECKED BY	DATE
MSSP-XXBFFM-SR8XXX	Fisher Wang	2021-10-04
CUSTOMER	APPROVED BY	DATE
ALTW	Max Yang	2021-10-04