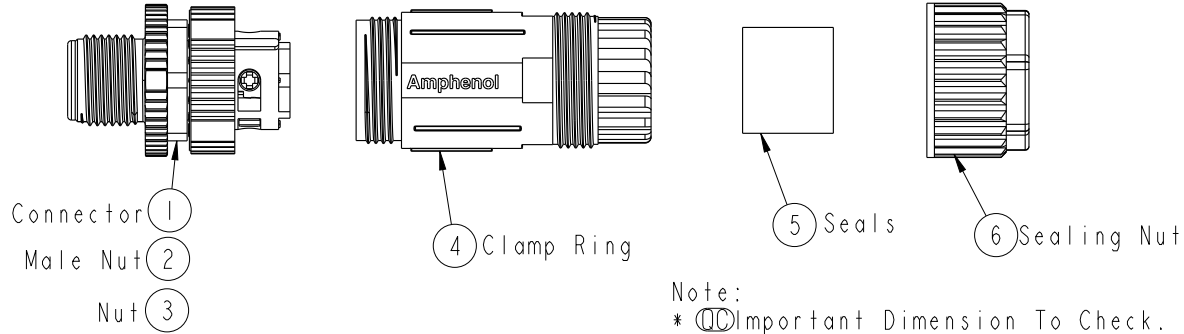
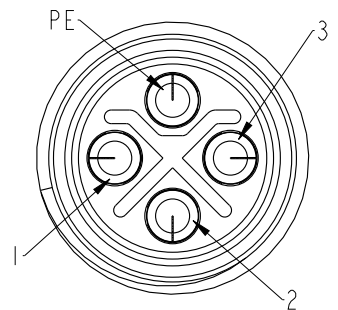
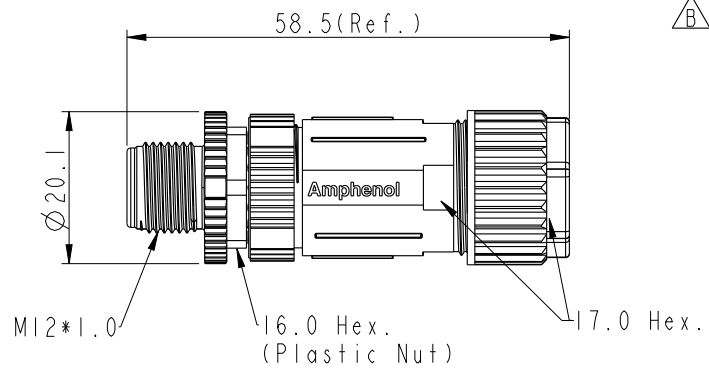


REV.	ECN NO.	DATE	SIGN	DESCRIPTION
A	Initial Release	2015/04/12	Cary	Change Rev. 01 to Rev.A
B	LEN15A0356	2015/09/17	Mila	Product improve



- Note:
- * \varnothing Important Dimension To Check.
 - * Waterproof Rate: IP67
 - * Housing: Nylon, UL94V-0, Black
 - * Male Pin: Copper Alloy, Gold Plated
 - * Male Nut: PBT+PC, UL94V-0, Black
 - * O-Ring: Silicon, UL94V-0, Gray
 - * Clamp Ring: Nylon, UL94V-0, Black
 - * Sealing Nut: PBT+PC, UL94V-0, Black
 - * Seals: Silicon, UL94V-0, Gray
 - * Rated Voltage: 630V AC
 - * Rated Current at 40°C: 12A
 - * Operation Temperature: -40~105°C
 - * Seal For Cable Range OD: $\varnothing 8.0\text{mm} \sim \varnothing 10.0\text{mm}$, 16AWG
 - * Screws for Wire connection recommended tightening torque: 0.61~0.84 kgf.cm / 0.059~0.082 N.m
 - * Applicable Wire gauge (Stranded wire cross section) 0.52mm² (20AWG) ~ 1.31mm² (16AWG)
 - * Mating Recommended tightening torque: 3~4 kgf.cm / 0.29~0.39 N.m
 - * Sealing-Nut Recommended tightening torque: 4~6 kgf.cm / 0.39~0.59 N.m
 - * Detailed applicable wire specifications may vary depending on the actual wire construction.



Pin Assignments
Front View

UNIT: mm		TITLE M12 S Code 4Pin M Conn. ASSY			ITEM NO MSSP-04BMMB-SL7002	DRAWN BY Mila	DATE 2015-09-17
		SCALE 1:1	SIZE A4	SHEET 1 OF 1	DWG NO MSSP-04BMMB-SL7002	CHECKED BY Cary	DATE 2015-09-17
TOLERANCE .X ±0.25 .XX ±0.1 .XXX ±0.05 ANGLES ±1°		REV. B	WC-REV. A.1	Inspection item Amphenol LTW 安費諾亮泰企業股份有限公司	CUSTOMER ALTW	APPROVED BY Jerry	DATE 2015-09-17

THIS DOCUMENT IS SUBJECT TO CHANGE WITHOUT NOTICE. IT IS CONFIDENTIAL AND A PROPERTY OF Amphenol LTW. DISCLOSURE TO THIRD PARTY HAS TO BE AUTHORIZED BY Amphenol LTW.