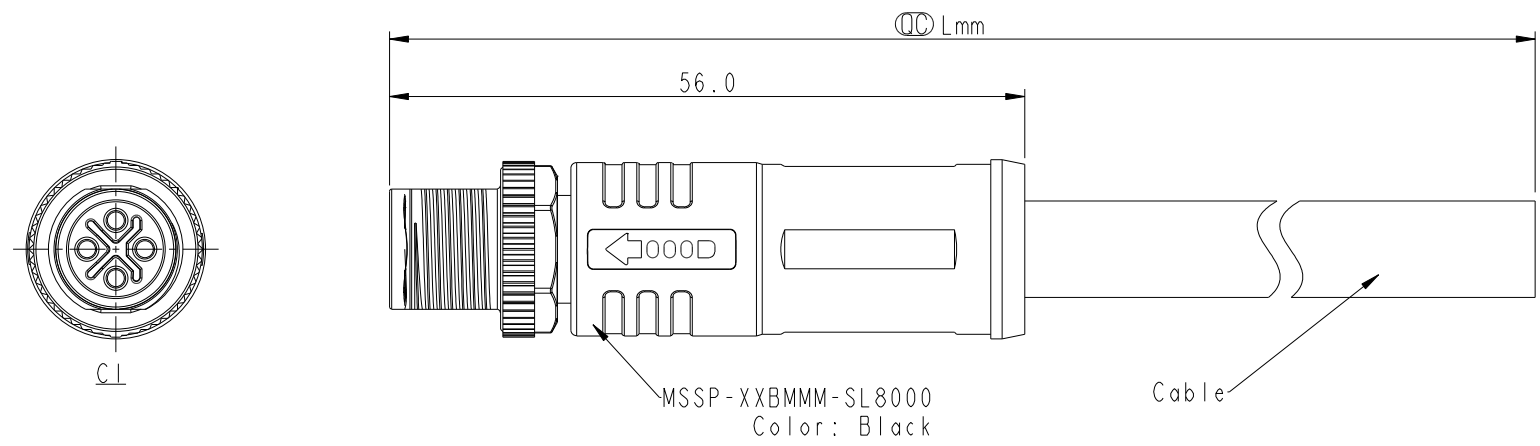
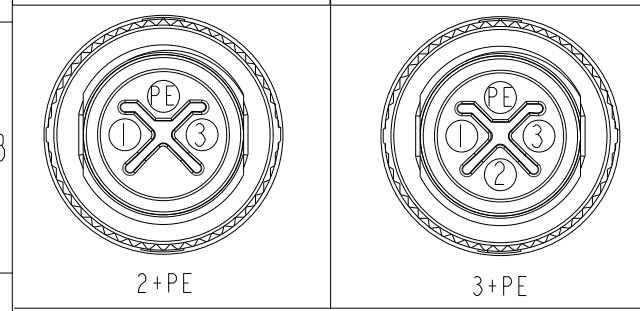


THIS DOCUMENT IS SUBJECT TO CHANGE WITHOUT NOTICE. IT IS CONFIDENTIAL AND A PROPERTY OF AMPHENOL LTW. DISCLOSURE TO THIRD PARTY HAS TO BE AUTHORIZED BY AMPHENOL LTW.

REV.	ECN NO.	DATE	SIGN	DESCRIPTION
A	initial release	2021/10/13	Li Dai	Rev.01 to Rev.A



PE Yellow/Green	黄/绿	PE Yellow/Green	黄/绿
3 Blue	蓝	3 Blue	蓝
2 --		2 White	白
1 Brown	棕	1 Brown	棕
Pin#	Wire	Pin#	Wire



MSSP-XXBMMM-SL8GXX  
 XX: 01~99Meters  
 01: 01Meter  
 :  
 99: 99Meters  
 XX: Number of Pin

- Note:
- \* RoHS Compliant
  - \*  $\varnothing$  Important Dimension to Check
  - \* Waterproof Rate: IPX8, Mated 1m/24h
  - \* Connector:
    - Housing: Thermoplastic, Black
    - Pin: Copper Alloy, Gold Plated
    - Screw Nut: Thermoplastic, Black
    - Outer Mold: Thermoplastic, Black
  - \* Cable: UL2586, 16AWG, PVC Jacket, Black
  - \* Cable Length Tolerance: 01M: +50/-0mm
    - 1M < L ≤ 3M: +100/-0 mm
    - 3M < L ≤ 5M: +150/-0 mm
    - 5M < L ≤ 10M: ±100 mm
    - 10M < L ≤ 20M: ±200 mm
    - 20M < L ≤ 30M: ±300 mm
    - 30M < L ≤ 99M: ±500 mm

UNIT:mm		TITLE
TOLERANCE	$\pm 0.5mm$	M12 S-CODE, STRAIGHT, MALE CONN +CABLE Plastic Screw nut
SCALE	3:2	SIZE A4
REV.	A	SHEET 1 OF 1
WC-REV.	.0	$\varnothing$ : Inspection item

**Amphenol LTW**  
 安費諾亮泰企業股份有限公司

ITEM NO	DRAWN BY	DATE
DWG NO	CHECKED BY	DATE
CUSTOMER	APPROVED BY	DATE
ALTW	Li Dai	2021/10/13
	Fisher Wang	2021/10/13
	Max Yang	2021/10/13