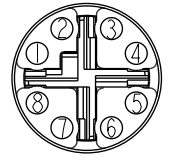
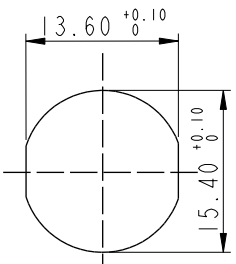


THIS DOCUMENT IS SUBJECT TO CHANGE WITHOUT NOTICE. IT IS CONFIDENTIAL AND A PROPERTY OF Amphenol LTW. DISCLOSURE TO THIRD PARTY HAS TO BE AUTHORIZED BY Amphenol LTW.

REV.	ECN NO.	DATE	SIGN	DESCRIPTION
C	C201348	2020/08/29	JC Chen	$\triangle C$ X4
D	C201549	2020/10/20	Vicky	$\triangle D$ X5
E	C210219	2021/03/03	Vicky	$\triangle E$ X3



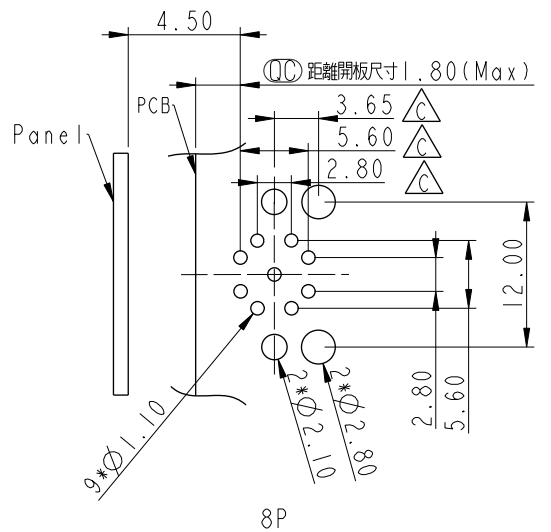
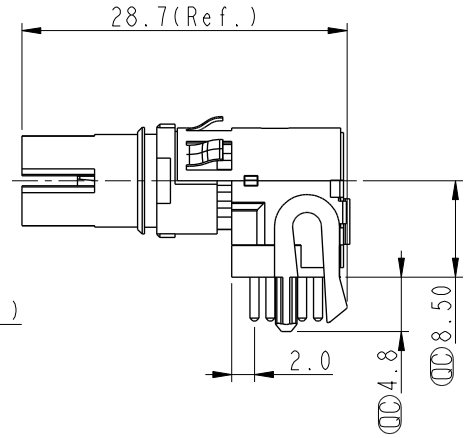
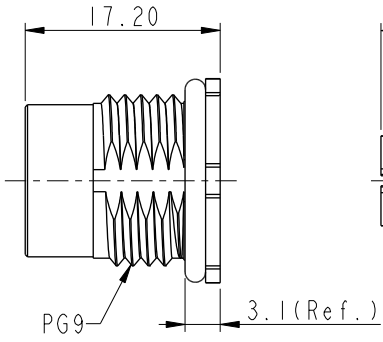
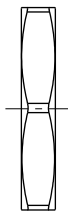
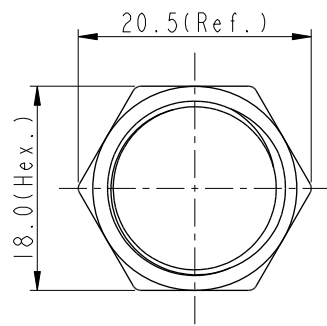
8P

Recommended Panel Cut-out

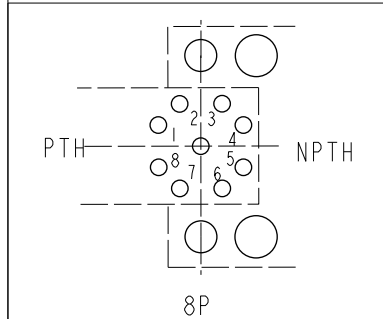
Pin Assignments Front View

$\triangle D$ MSXS-XXPFFR-SF7001

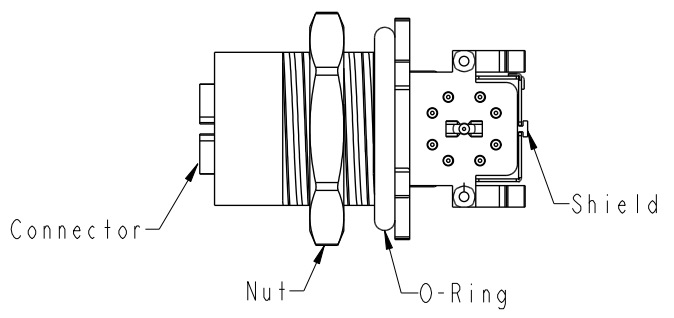
XX: No. Of Pin



PCB Layout



Pin Definition



UNIT: mm		
TOLERANCE	.X ±0.25	
	.XX ±0.1	
	.XXX ±0.05	
ANGLES	±1°	

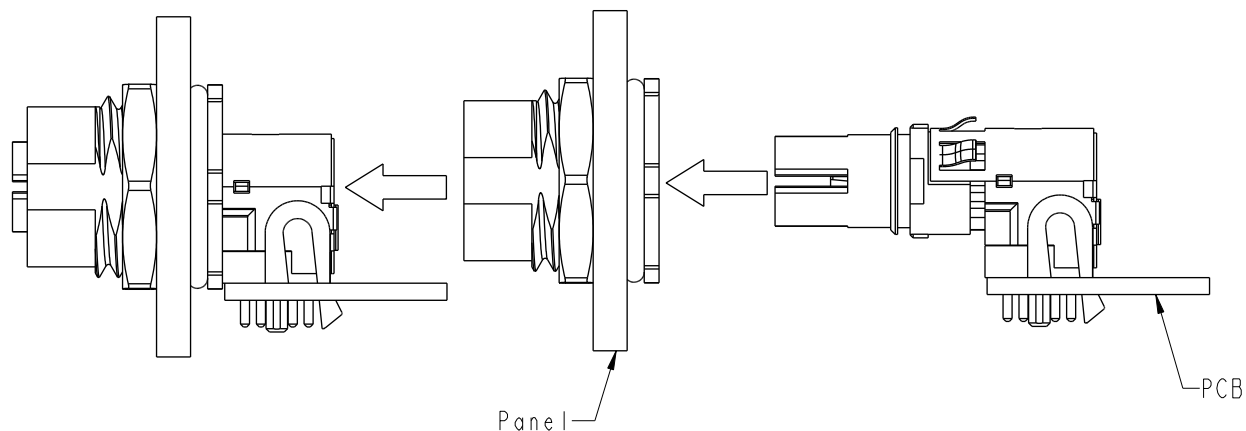
TITLE N SEN, M12 X -SHLD, SCREW RECEPTACLE, F, F, PCB R			$\triangle E$
SCALE Free	SIZE A4	SHEET 1 OF 2	
REV. E	WC-REV. .0	CC : Inspection item	

Amphenol LTW
安費諾亮泰企業股份有限公司

ITEM NO.	DRAWN BY Xiaofeng	DATE 2019/07/17
DWG NO. $\triangle D$ MSXS-XXPFFR-SF7001	CHECKED BY Feng-Li	DATE 2019/07/17
CUSTOMER ALTW	APPROVED BY Jerry	DATE 2019/07/17

THIS DOCUMENT IS SUBJECT TO CHANGE WITHOUT NOTICE. IT IS CONFIDENTIAL AND A PROPERTY OF Amphenol LTW. DISCLOSURE TO THIRD PARTY HAS TO BE AUTHORIZED BY Amphenol LTW.

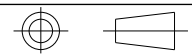
Assembly:



E Note:

- * RoHS Compliant
- * **CC** Important dimension
- * Waterproof rate: IPX7, mated
- * Connector
- Housing: Thermoplastic, Black
- Pin: Copper alloy, Gold plated
- Gasket: Rubber, Black
- * **D** Shield: Metal
- * **D** Nut: Metal
- * O-Ring: Rubber, Black
- * For panel thickness max: 5.0mm
- * For pcb thickness: 1.6~2.4mm
- * Nut is packed separately in PE bag

UNIT: mm



TITLE N SEN, M12 X -SHLD, SCREW RECEPTACLE, F, F, PCB R				E
SCALE Free	SIZE A4	SHEET 2 OF 2		
REV. E	WC-REV.	CC : Inspection item		

Amphenol LTW

安費諾亮泰企業股份有限公司

B	ITEM NO	DRAWN BY Xiaofeng	DATE 2019/07/17
DWG NO D MSXS-XXPFFR-SF7001	CHECKED BY Feng-Li	DATE 2019/07/17	
CUSTOMER ALTW	APPROVED BY Jerry	DATE 2019/07/17	