

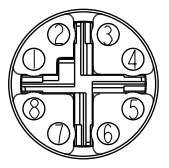
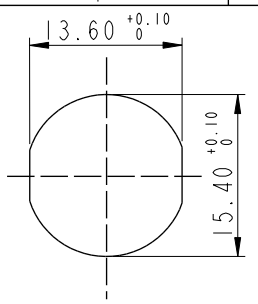
THIS DOCUMENT IS SUBJECT TO CHANGE WITHOUT NOTICE. IT IS CONFIDENTIAL AND A PROPERTY OF Amphenol LTW. DISCLOSURE TO THIRD PARTY HAS TO BE AUTHORIZED BY Amphenol LTW.

REV.	ECN NO.	DATE	SIGN	DESCRIPTION
B	C201348	2020/08/29	JC Chen	$\triangle B$ X4
C	C201549	2020/10/20	Vicky	$\triangle C$ X5
D	C210219	2021/03/05	Vicky	$\triangle D$ X3

$\triangle B$

$\triangle C$  MSXS-XXPFFR-SH7001

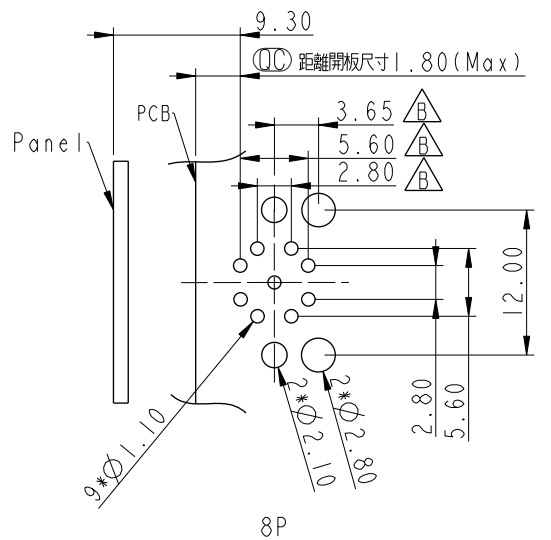
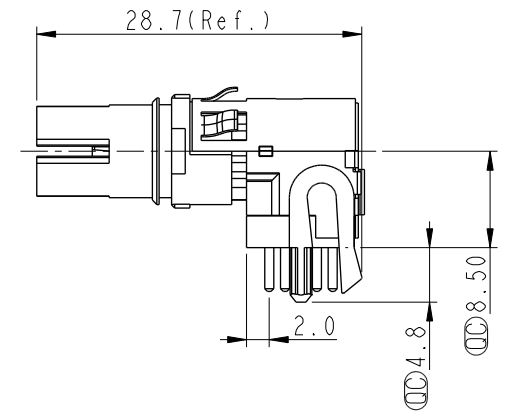
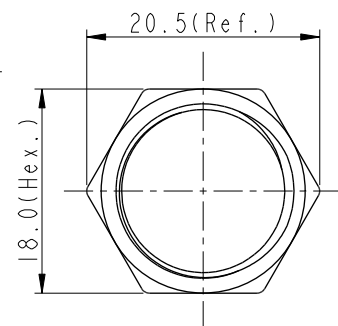
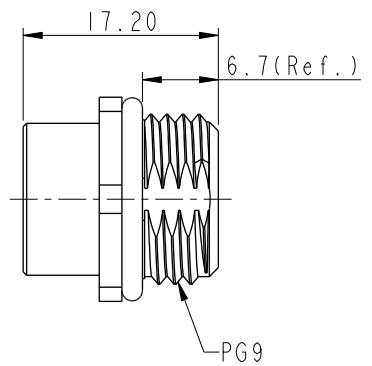
XX: No. Of Pin



8P

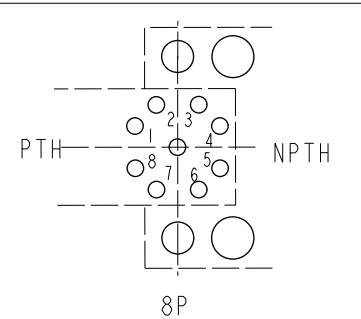
Recommended Panel Cut-out

Pin Assignments Front View



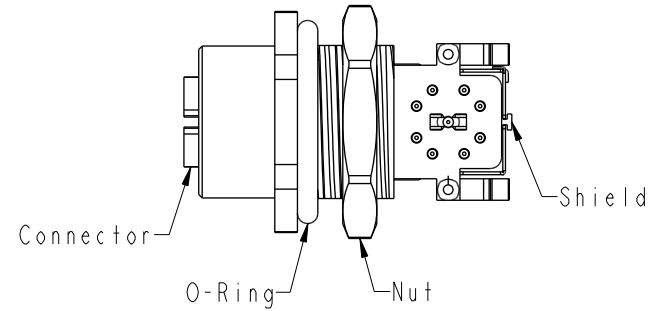
8P

PCB Layout



8P

Pin Definition



UNIT: mm		
TOLERANCE	.X ±0.25	
.XX ±0.1		
.XXX ±0.05		
ANGLES	±1°	

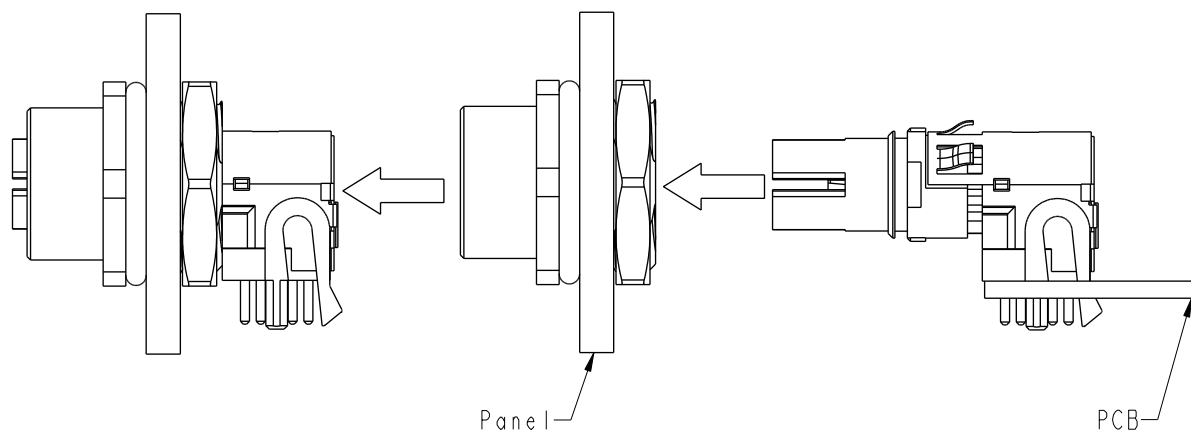
TITLE N SEN, M12 X -SHLD, SCREW RECEPTACLE, F, F, PCB R			$\triangle D$
SCALE Free	SIZE A4	SHEET 1 OF 2	
REV. D	WC-REV. .0	$\text{CC}$ : Inspection item	

**Amphenol LTW**  
安費諾亮泰企業股份有限公司

ITEM NO	DRAWN BY Xiaofeng	DATE 2019/06/13
DWG NO $\triangle$ MSXS-XXPFFR-SH7001	CHECKED BY Feng-Li	DATE 2019/06/13
CUSTOMER ALTW	APPROVED BY Jerry	DATE 2019/06/13

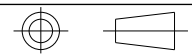
THIS DOCUMENT IS SUBJECT TO CHANGE WITHOUT NOTICE. IT IS CONFIDENTIAL AND A PROPERTY OF Amphenol LTW. DISCLOSURE TO THIRD PARTY HAS TO BE AUTHORIZED BY Amphenol LTW.

Assembly:



- Note:**
- \* RoHS Compliant
  - \*  $\varnothing$  Important dimension
  - \* Waterproof rate: IPX7, mated
  - \* Connector
    - Housing: Thermoplastic, Black
    - Pin: Copper alloy, Gold plated
    - Gasket: Rubber, Black
  - \* Shield: Metal
  - \* Nut: Metal
  - \* O-Ring: Rubber, Black
  - \* For panel thickness max: 3.0mm
  - \* For pcb thickness: 1.6~2.4mm
  - \* Nut is packed separately in PE bag

UNIT: mm



TITLE N SEN, M12 X -SHLD, SCREW RECEPTACLE, F, F, PCB R			$\triangle$
SCALE Free	SIZE A4	SHEET 2 OF 2	
REV. D	WC-REV.	$\varnothing$ : Inspection item	

**Amphenol LTW**  
安費諾亮泰企業股份有限公司

ITEM NO	DRAWN BY Xiaofeng	DATE 2019/06/13
DWG NO $\triangle$ MSXS-XXPFFR-SH7001	CHECKED BY Feng-Li	DATE 2019/06/13
CUSTOMER ALTW	APPROVED BY Jerry	DATE 2019/06/13