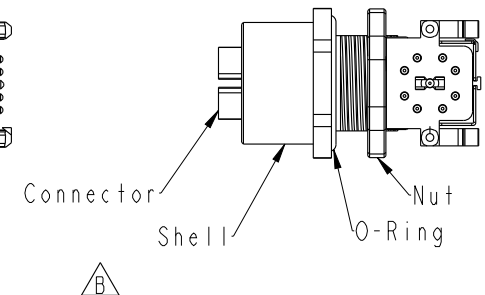
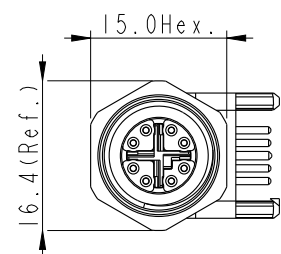
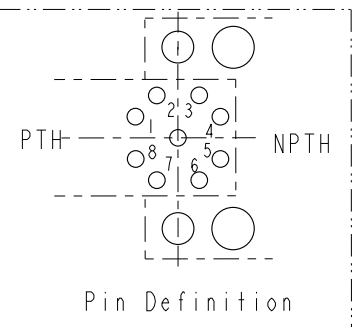
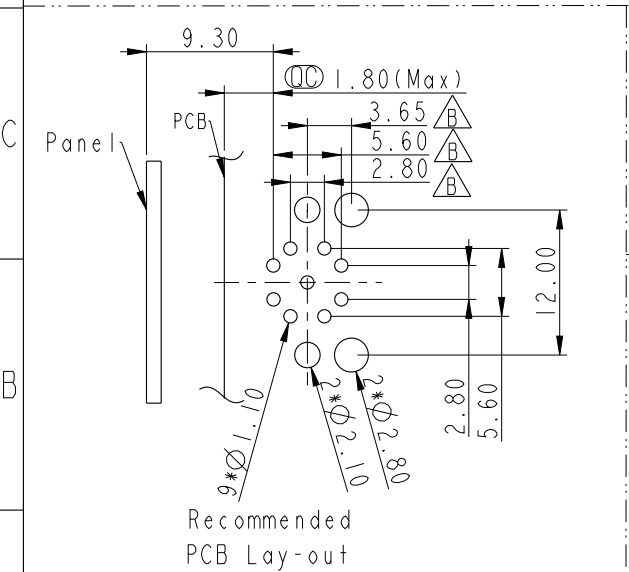
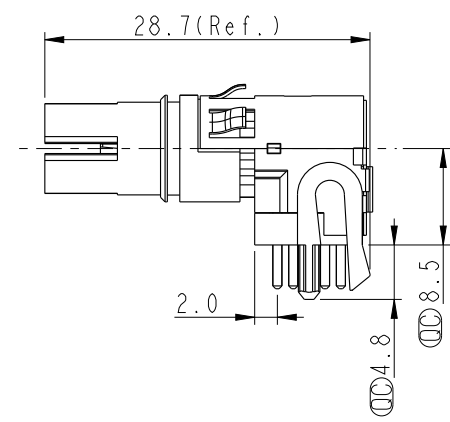
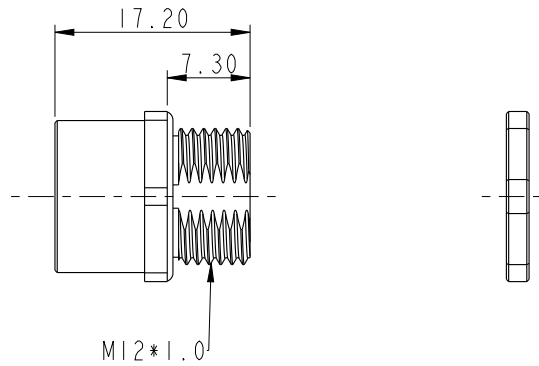
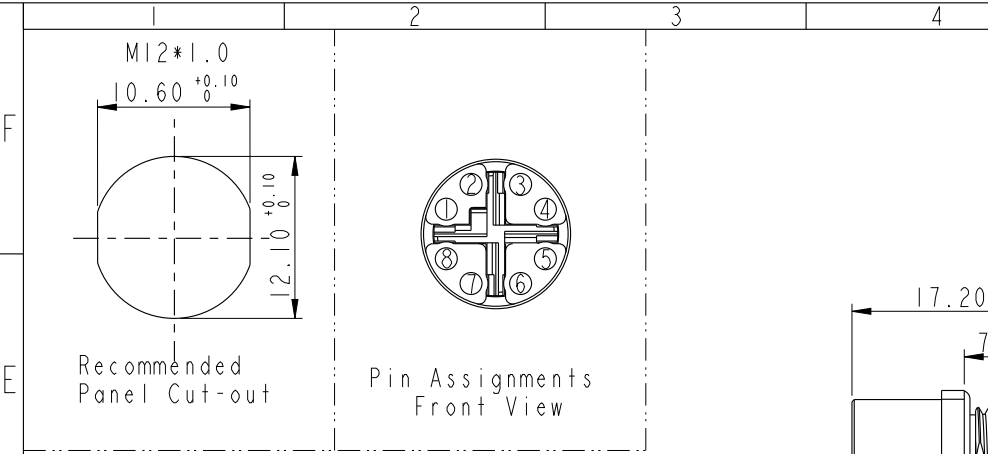


THIS DOCUMENT IS SUBJECT TO CHANGE WITHOUT NOTICE. IT IS CONFIDENTIAL AND A PROPERTY OF AMPHENOL LTW. DISCLOSURE TO THIRD PARTY HAS TO BE AUTHORIZED BY AMPHENOL LTW.

REV.	ECN NO.	DATE	SIGN	DESCRIPTION
A		2019/10/29	Xiaofeng	New Initial
B	C201348	2020/08/29	JC Chen	$\triangle B \times 5$



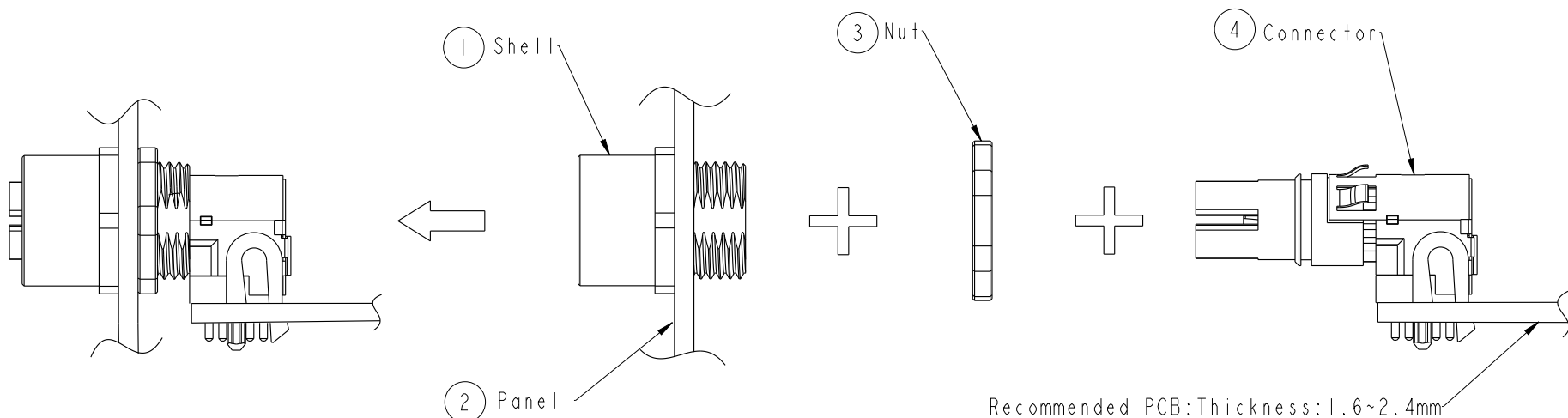
UNIT: mm		TITLE	M12 X-Code R/A	
TOLERANCE		SCALE	SIZE	SHEET
.X	± 0.25	Free	A4	1 OF 2
.XX	± 0.1	REV.	WC-REV.	
.XXX	± 0.05	B	.0	CC : Inspection item
ANGLES	$\pm 1^\circ$			

Amphenol LTW
安費諾亮泰企業股份有限公司

ITEM NO.	MSXS-08PFFR-SH7003	DRAWN BY	Xiaofeng	DATE	2019/10/29
DWG NO.	MSXS-08PFFR-SH7003	CHECKED BY	Feng-Li	DATE	2019/10/29
CUSTOMER	ALTW	APPROVED BY	Jerry	DATE	2019/10/29

THIS DOCUMENT IS SUBJECT TO CHANGE WITHOUT NOTICE. IT IS CONFIDENTIAL AND A PROPERTY OF Amphenol LTW. DISCLOSURE TO THIRD PARTY HAS TO BE AUTHORIZED BY Amphenol LTW.

Assembly:

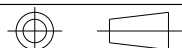


Note:

- * $\text{\textcircled{C}}$ Important Dimension To Check.
- * IP: IP67(Mated Waterproof)
- * Connector: Thermoplastic, Black
- * Pin: Copper Alloy, Gold Plated
- * Shell: Metal, Nickel Plated
- * Nut: Metal, Nickel Plated
- * Rated Voltage: 50V ac or 60V dc
- * Rated Current: 0.5A
- * For Panel Thickness Max 3.0
- * Transmission Characteristics: Cat 6A
- * Nut 不組裝出貨



UNIT: mm



TITLE M12 X-Code R/A			
SCALE Free	SIZE A4	SHEET 2 OF 2	
REV. B	WC-REV. ***	$\text{\textcircled{C}}$: Inspection item	

Amphenol LTW
安費諾亮泰企業股份有限公司

ITEM NO MSXS-08PFFR-SH7003	DRAWN BY Xiaofeng	DATE 2019/10/29
DWG NO MSXS-08PFFR-SH7003	CHECKED BY Feng-Li	DATE 2019/10/29
CUSTOMER ALTW	APPROVED BY Jerry	DATE 2019/10/29