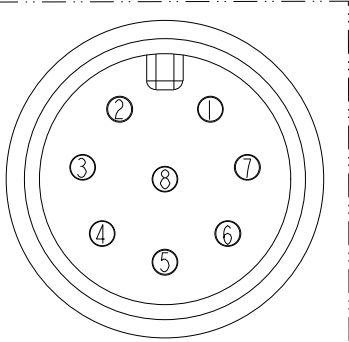
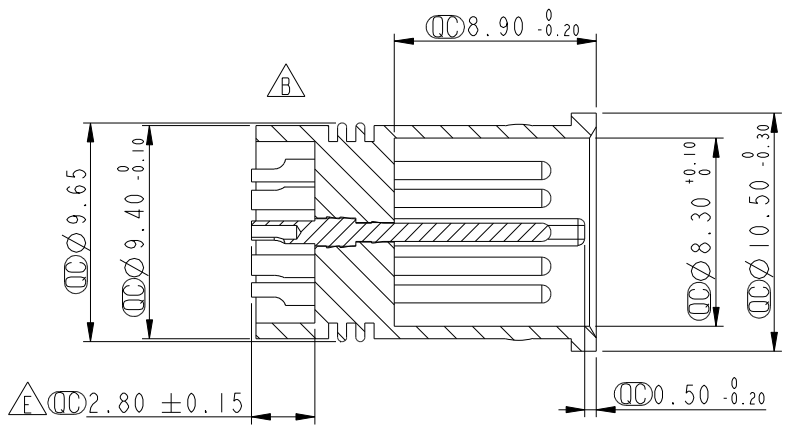
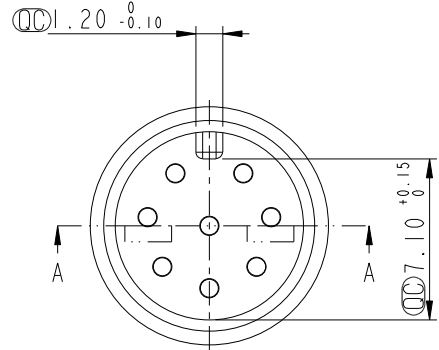
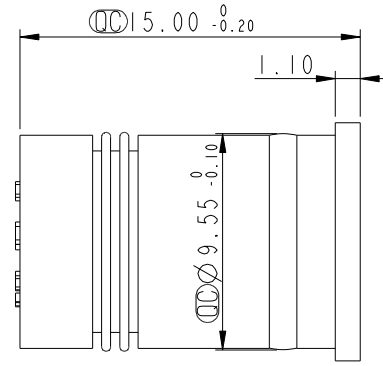
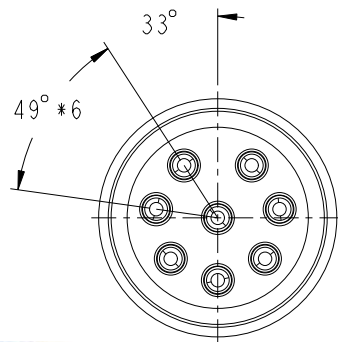


REV.	ECN NO.	DATE	SIGN	DESCRIPTION
C	LEN1670223	2016/07/14	Jinhai	Change Dimension
D	LEN1681086	2016/08/04	Mafei	Updated The Dimension.
E	LEN1810204	2018/02/06	Zhangling Wan	Updated The Dimension.



Pin Assignments
Front View

Section: A-A

Note:
 * \varnothing Important Dimension To Check.
 * Housing: Nylon+GF, Black.
 * Male Pin: Copper Alloy Gold Plated.

UNIT:mm		TITLE Solder MI2 8Pin			ITEM NO SLD-A008001	DRAWN BY Zhangling Wan	DATE 2018-02-06
		SCALE 3:1	SIZE A4	SHEET 1 OF 1	DWG NO SLD-A008001	CHECKED BY Fisher Wang	DATE 2018-02-06
TOLERANCE .X ±0.25 .XX ±0.1 .XXX ±0.05 ANGLES ±1°		REV. E	WC-REV. A.5	\varnothing : Inspection item	CUSTOMER ALTW	APPROVED BY Kevin Hu	DATE 2018-02-06

Amphenol LTW
 安費諾亮泰企業股份有限公司

THIS DOCUMENT IS SUBJECT TO CHANGE WITHOUT NOTICE. IT IS CONFIDENTIAL AND A PROPERTY OF AMPHENOL LTW. DISCLOSURE TO THIRD PARTY HAS TO BE AUTHORIZED BY AMPHENOL LTW.