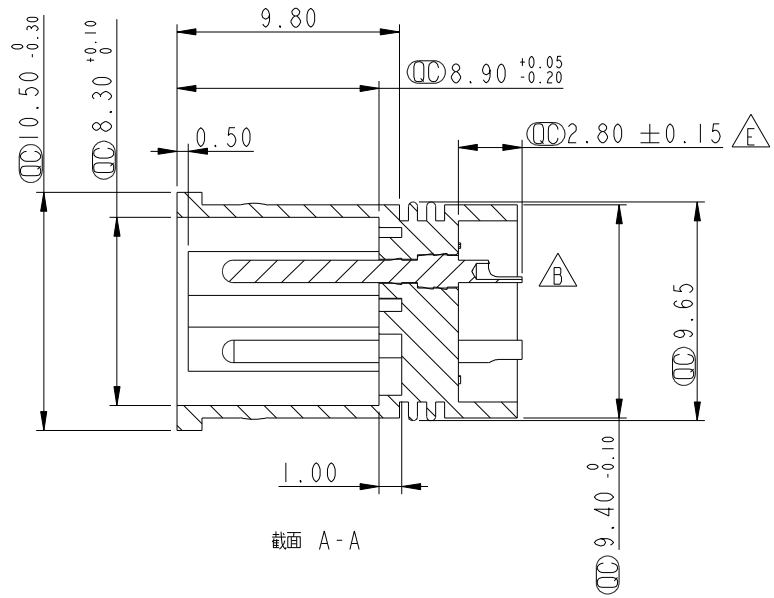
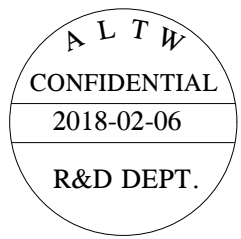
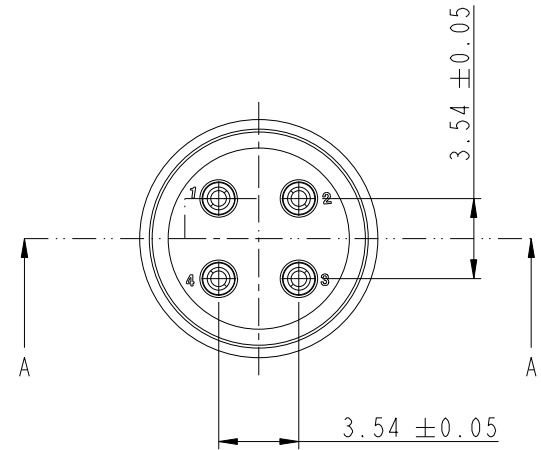
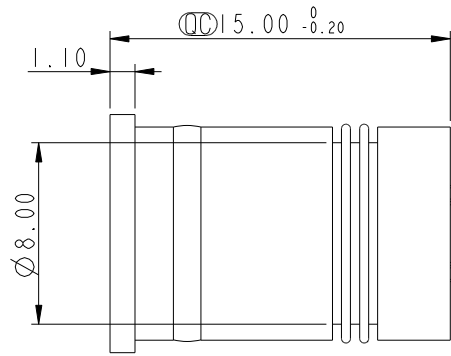
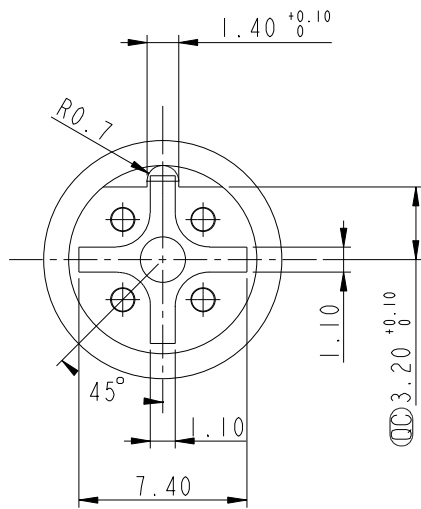


REV.	ECN NO.	DATE	SIGN	DESCRIPTION
C	LEN1650287	2016/05/11	Jinhai	Change Dimensions
D	LEN1681087	2016/08/16	Mafei	Updated The Dimension.
E	LEN1810198	2018/02/06	Zhanglijing Wan	Updated The Dimension.



Note:  
 \*  $\text{CC}$  Important Dimension To Check.  
 \* Housing: Nylon+GF, Black.  
 \* Male Pin: Copper Alloy Gold Plated.

UNIT: mm	 	TITLE Solder M12 B Code 4Pin			ITEM NO SLD-B004001	DRAWN BY Zhanglijing Wan	DATE 2018-02-06
		TOLERANCE .X ±0.25 .XX ±0.1 .XXX ±0.05 ANGLES ±1°	SCALE 3:1	SIZE A4	SHEET 1 OF 1	DWG NO SLD-B004001	CHECKED BY Fisher Wang
		REV. E	WC-REV. A.1	 : Inspection item	CUSTOMER ALTW	APPROVED BY Kevin Hu	DATE 2018-02-06

**Amphenol LTW**  
 安費諾亮泰企業股份有限公司

THIS DOCUMENT IS SUBJECT TO CHANGE WITHOUT NOTICE. IT IS CONFIDENTIAL AND A PROPERTY OF AMPHENOL LTW. DISCLOSURE TO THIRD PARTY HAS TO BE AUTHORIZED BY AMPHENOL LTW.