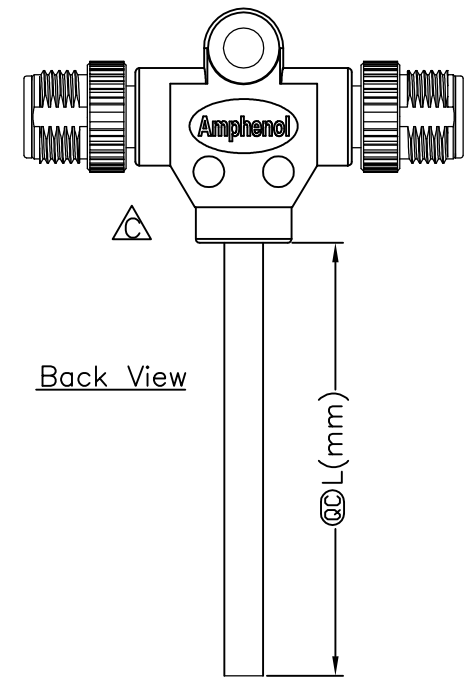
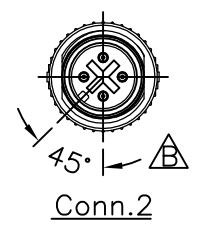
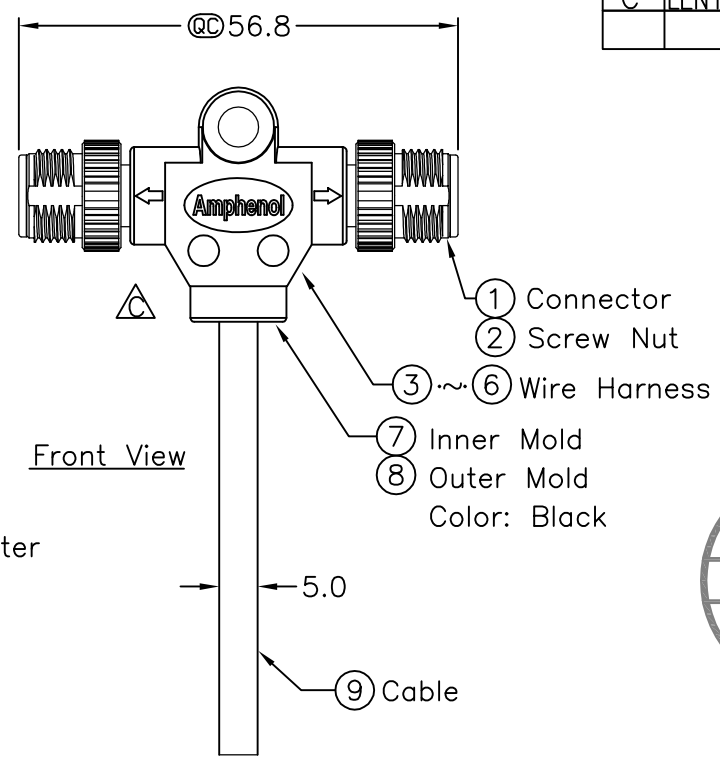
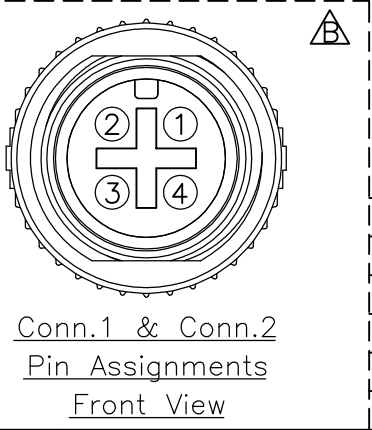


REV.	ECN NO.	DATE	SIGN	DESCRIPTION
B	LEN-880181~184	2008/03/24	Zhang Jin	Add Cross
C	LEN1720309~312	2017/02/15	Ruru	Change Logo & Outer Mold Design & Note



SS-040400-MM0-TSAXX

XX:01~99Meter
01:01Meter
02:02Meters
:
:
99:99Meters
Cable Length(L):01~99Meters



4	Black	黑	4
3	Blue	藍	3
2	White	白	2
1	Brown	棕	1
Conn.1	Wire Color		Conn.2
Pin Out			



Note:

- * ⑩ Important Dimension.
- * Waterproof Rate: IP68
- * Housing: Black, PU
- * Male Pin: Copper Alloy, Gold Plated
- * Wire Harness: UL1007 24AWG, 4Pcs.
- * Cable: UL2464 22AWG*4C+Talc
Black, PVC Jacket UV Resistant OD=5.0mm
- * Cable Length Tolerance: 01M: ±40mm
02M~05M: ±60mm
06M~10M: ±100mm
11M~30M: ±200mm
31M~99M: ±500mm

UNIT:mm		TITLE
TOLERANCE	±0.5 mm	M12 Conn T Cable Screw MM Conn MM Pin
SCALE	Free	SHEET 1 OF 1
REV. C	SIZE A4	⑩ :Inspection Item

Amphenol LTW
安費諾亮泰企業股份有限公司

ITEM NO	DRAWN BY	DATE
DWG NO	CHECKED BY	DATE
CUSTOMER	APPROVED BY	DATE
	Ruru	2017/02/15
SS-040400-MM0-TSAXX	Rita	2017/02/15
ALTW	Max	2017/02/15

THIS DOCUMENT IS SUBJECT TO CHANGE WITHOUT NOTICE. IT IS CONFIDENTIAL AND A PROPERTY OF Amphenol LTW. DISCLOSURE TO THIRD PARTY HAS TO BE AUTHORIZED BY Amphenol LTW.

1 2 3 4 5 6 7 8

1 2 3 4 5 6 7 8 FMW10702-01-01A2