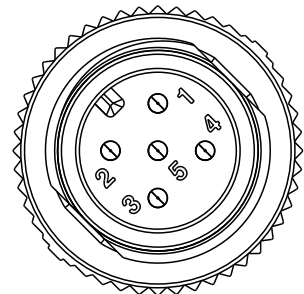
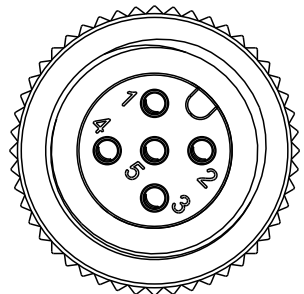
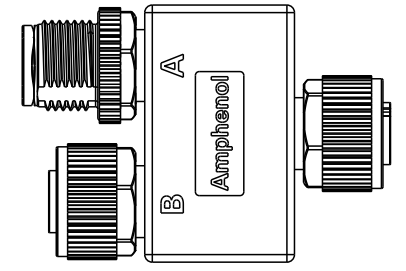
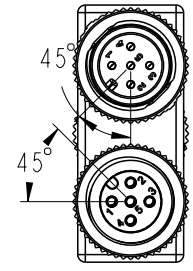
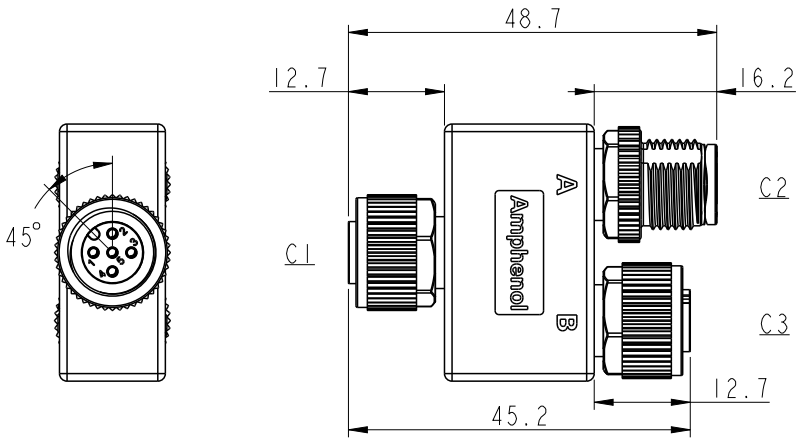
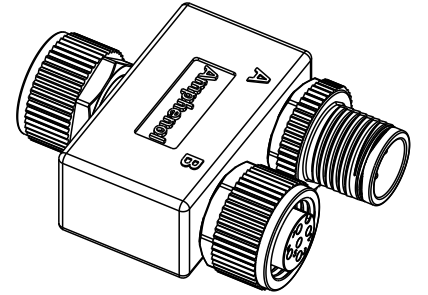


REV.	ECN NO.	DATE	SIGN	DESCRIPTION
A	C210700	2021/04/27	Wen	Initial Released.



C1 & C3 Pin Assignment Front View

Red	5	5	5
Green	4	4	4
Blue	3	3	3
White	2	2	2
Black	1	1	1
Wire Color	C1	C2	C3

Pin Out

Note:  
 \* RoHS Compliant  
 \*  $\varnothing$  Important Dimension To Check.  
 \* Connector:  
 Waterproof Rate: IPX8, Mated 1m/24h  
 Housing: Thermoplastic, Black  
 Pin: Copper Alloy, Gold Plated  
 O-Ring: Rubber, Green  
 Nut: Metal  
 Outer Mold: Thermoplastic, Black  
 \* Other: UL 22AWG  
 Copper Foil Around Inner Mold

UNIT:mm TOLERANCE ±0.5mm	TITLE ACC, SEN, A Code, Y ADA W/O CB		<b>Amphenol LTW</b> 安費諾亮泰企業股份有限公司		ITEM NO YA-A05F-A05M-A05F-01	DRAWN BY Wen	DATE 2021/04/27
	SCALE 1:1	SIZE A4			SHEET 1	OF 1	DWG NO YA-A05F-A05M-A05F-01
	REV. A	WC-REV. A.27	$\varnothing$ Inspection item		CUSTOMER 0010001900	APPROVED BY Neo	DATE 2021/04/27

THIS DOCUMENT IS SUBJECT TO CHANGE WITHOUT NOTICE. IT IS CONFIDENTIAL AND A PROPERTY OF Amphenol LTW. DISCLOSURE TO THIRD PARTY HAS TO BE AUTHORIZED BY Amphenol LTW.