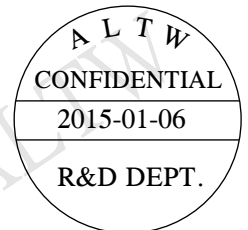
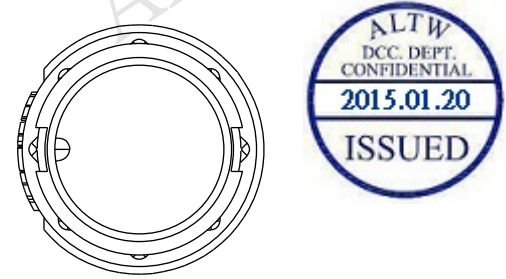
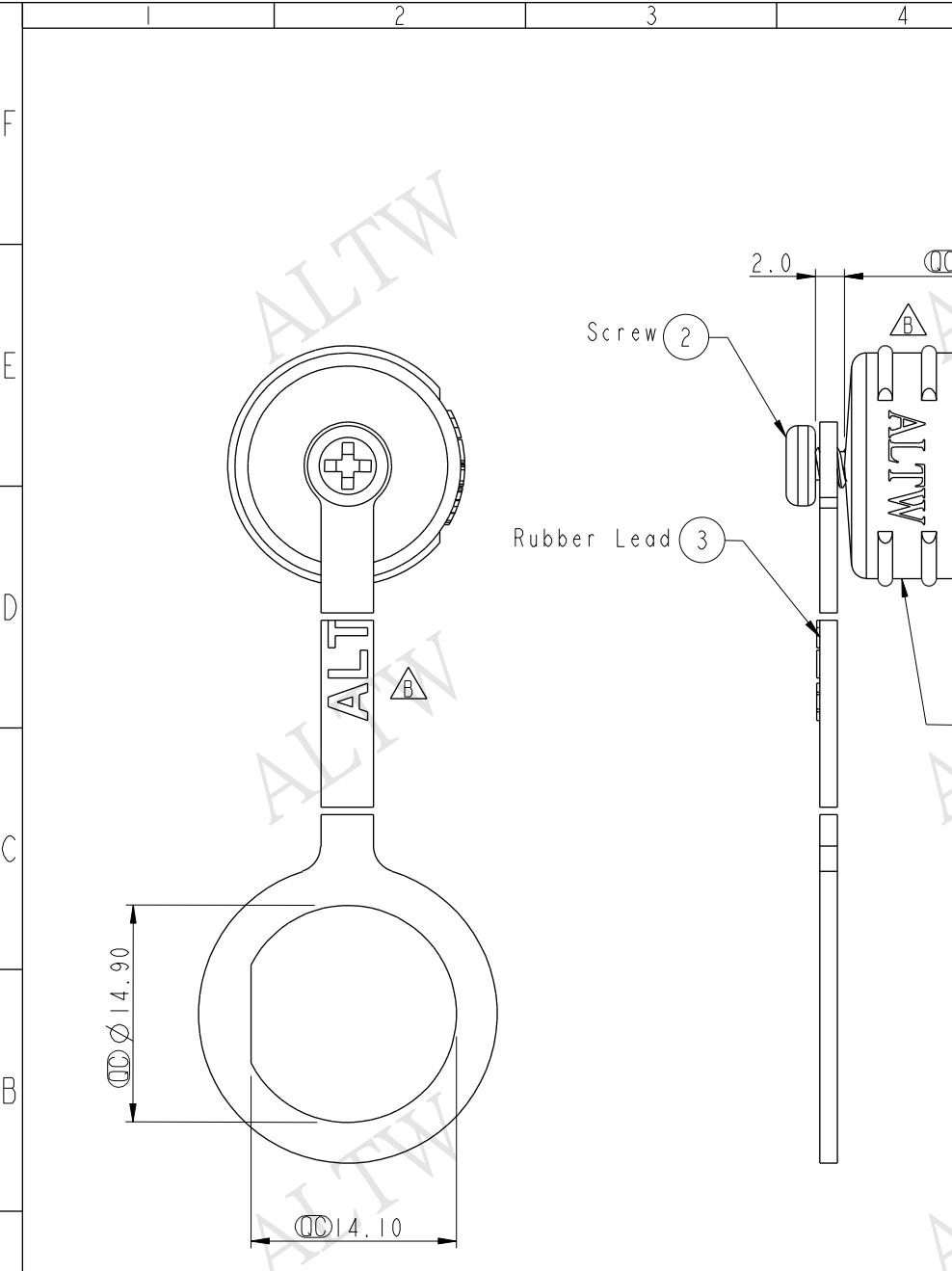


THIS DOCUMENT IS SUBJECT TO CHANGE WITHOUT NOTICE. IT IS CONFIDENTIAL AND A PROPERTY OF AMPHENOL LTW. DISCLOSURE TO THIRD PARTY HAS TO BE AUTHORIZED BY AMPHENOL LTW.

REV.	ECN NO.	DATE	SIGN	DESCRIPTION
A	Initial Release	2013/09/11	Vicky	Old Item No. CAP-WABCFLCI
B	LEN1510313	2015/01/06	Ruru	Change Logo



- Note:
- \*  $\varnothing$  Important Dimension
  - \* Waterproff Rate: IP67
  - \* Housing: Nylon+GF, Black
  - \* Rubber Lead: TPES, Black
  - \* Screw is not allowed to tight(Chain be revolve)  
不可將螺絲鎖緊, (鏈條要可旋轉)
  - \* Drill Hold n 2.3mm, Depth 4mm  
鑽孔 n 2.3mm, 深4mm

UNIT: mm			TITLE Standard Size Waterproof Cap for F Conn F Pin
TOLERANCE .X ±0.25 .XX ±0.1 .XXX ±0.05 ANGLES ±1°	SCALE 2:1	SIZE A4	SHEET 1 OF 1
REV. B	WC-REV. A.1	$\varnothing$ : Inspection item	

**Amphenol LTW**  
安費諾亮泰企業股份有限公司

ITEM NO. CAP-WABFLPCI	DRAWN BY Ruru	DATE 2015-01-06
DWG NO. CAP-WABFLPCI	CHECKED BY Rita	DATE 2015-01-06
CUSTOMER ALTW	APPROVED BY Win	DATE 2015-01-06