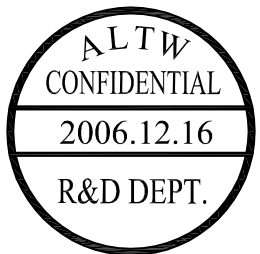
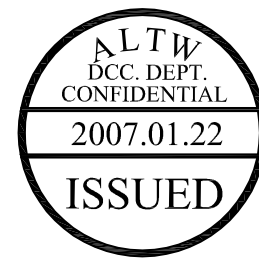
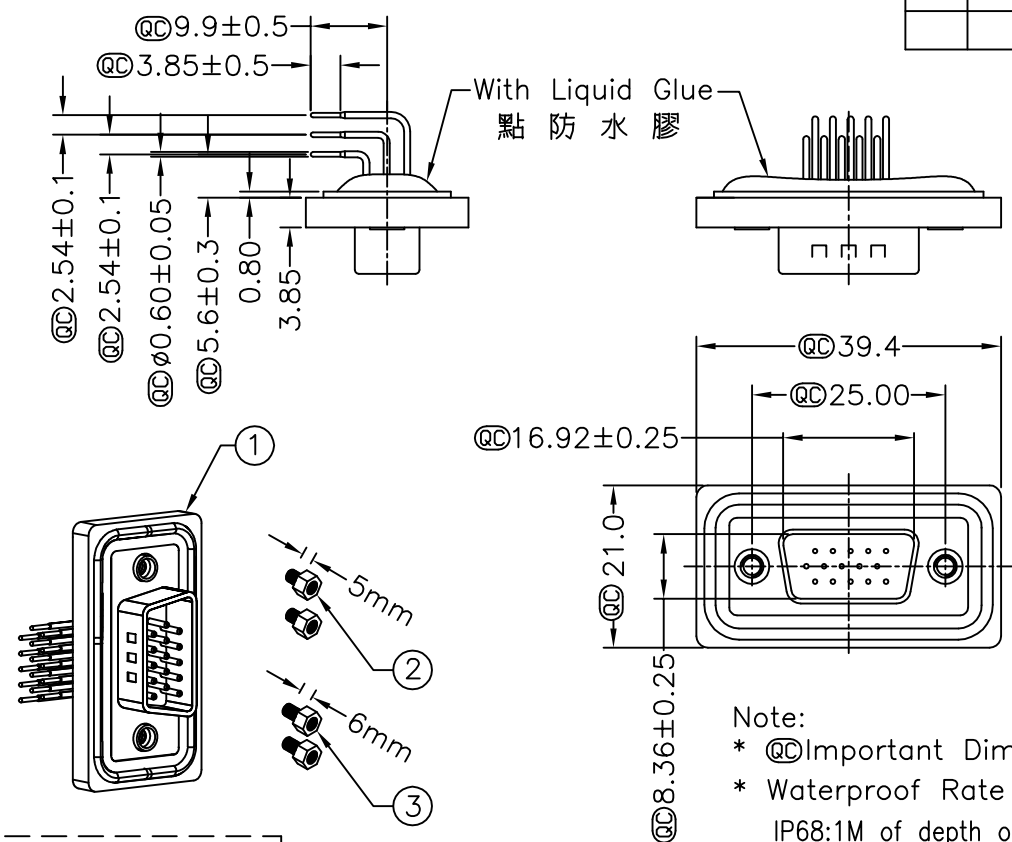


5	6	7	8
REV.	ECN NO.	DATE	SIGN

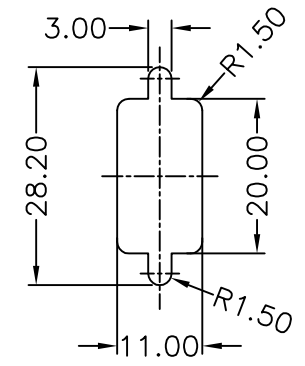


- Note:
- * @C Important Dimension.
 - * Waterproof Rate : IP68
IP68:1M of depth of water 24 hours
(防水等級 IP68)
(IP68:1米水深 24小時)
 - * Do Mating Test After Glued
點膠後, 須作對插測試
 - * HD-SUB Conn. :Black Core , PBT
 - * Plastic Jacket : Black , Nylon+GF
 - * Pin : Copper Alloy , Gold Plated
 - * Ring : Light Blue,Silicone
 - * Screw : Copper Alloy,Nickel Plated,#4-40 UNC

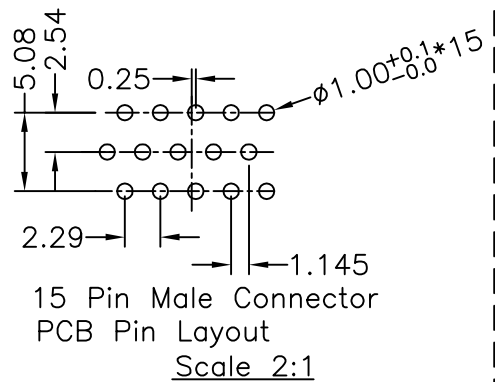


Screw L=5.0 For Panel Thickness Under 1.2mm
適用板厚為 1.2mm 以下

Screw L=6.0 For Panel Thickness Between 1.2~2.0mm
適用板厚為 1.2~2.0mm



Recommended Panel Cut-Out
建議挖孔尺寸



UNIT:mm		TITLE D-SUB Conn. Panel Screw HD15P M Conn. M Pin
TOLERANCE .X ±0.25 .XX ±0.1 .XXX ±0.05 ANGLES ±1°	SCALE Free	SHEET 1 OF 1
REV. A	SIZE A4	@C :Inspection Item

Amphenol LTW
安費諾亮泰企業股份有限公司

ITEM NO HDB-15PMMP-SR8001	DRAWN BY DongYaLi	DATE 2006/12/16
DWG NO HDB-15PMMP-SR8001	CHECKED BY Simon	DATE 2006/12/16
CUSTOMER ALTW	APPROVED BY Max	DATE 2006/12/16

THIS DOCUMENT IS SUBJECT TO CHANGE WITHOUT NOTICE. IT IS CONFIDENTIAL AND A PROPERTY OF Amphenol LTW. DISCLOSURE TO THIRD PARTY HAS TO BE AUTHORIZED BY Amphenol LTW.