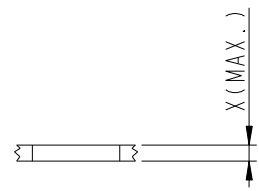
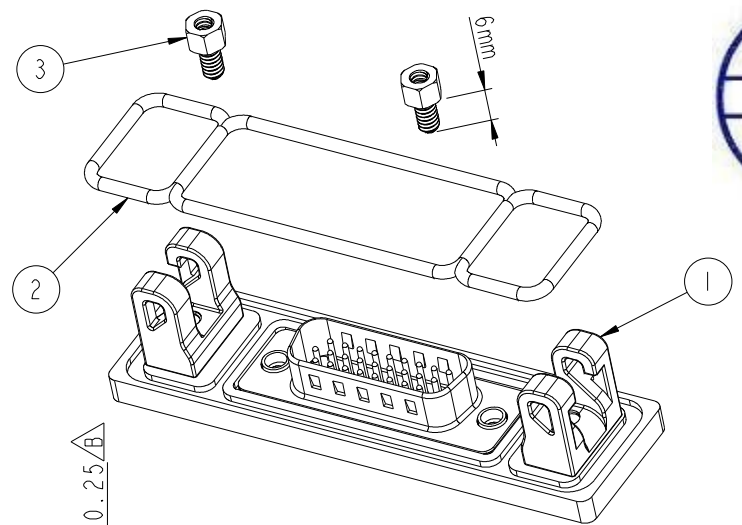
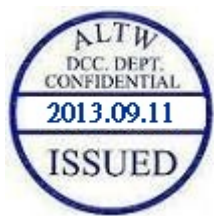


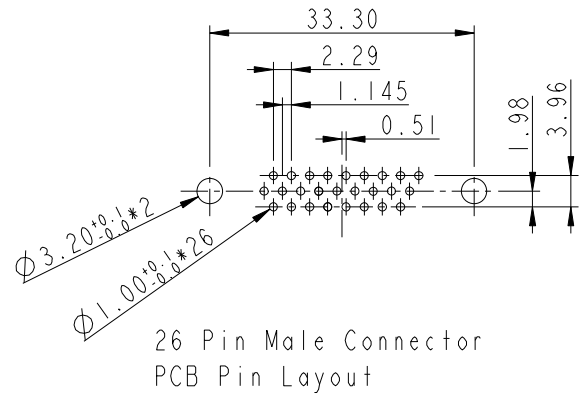
THIS DOCUMENT IS SUBJECT TO CHANGE WITHOUT NOTICE. IT IS CONFIDENTIAL AND A PROPERTY OF Amphenol LTW. DISCLOSURE TO THIRD PARTY HAS TO BE AUTHORIZED BY Amphenol LTW.

REV.	ECN NO.	DATE	SIGN	DESCRIPTION
B	LEN1390201	2013/09/02	Lu Di	Update Dimension

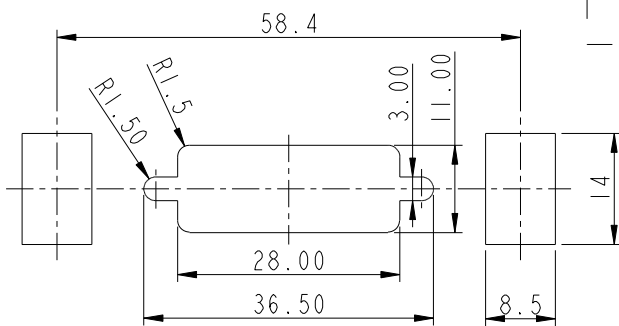
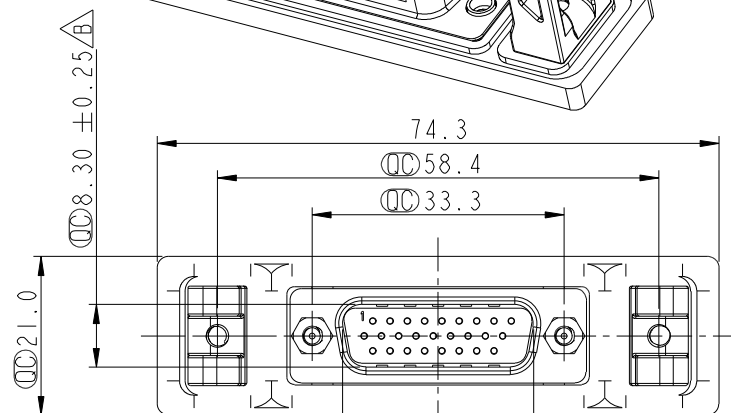


PANEL THICKNESS

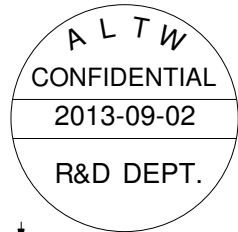
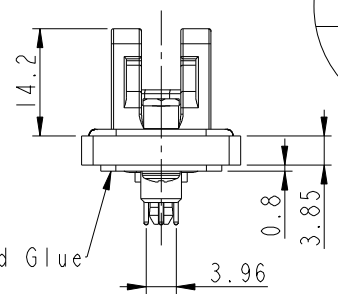
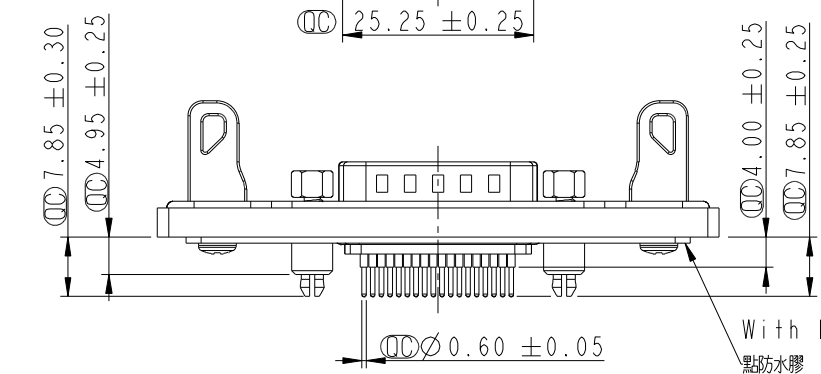
Screw L=6.0 For Panel Thickness Between 1.2~2.0mm



26 Pin Male Connector
PCB Pin Layout



RECOMMENDED PANEL CUT-OUT



NOTE:

- * ϕ Important Dimension.
- * Waterproof Rate : IP68
- IP68: 1M of depth of water 24 hours
- * Materials:
- Panel : Zinc
- Panel Link : Zinc
- Screw : Stainless, #4-40 UNC
- O-Ring : Silicone , Black
- Insulator : PBT
- Shell : Cold Rolled Steel
- Contact : Copper Alloy
- Board Lock : Copper Alloy
- * Finish:
- Panel : Nickel Plated
- Panel Link : Nickel Plated
- Board Lock : Nickel Plated
- Shell : Nickel Plated
- Contact : Gold Flash

UNIT: mm

TOLERANCE	
.X	± 0.25
.XX	± 0.1
.XXX	± 0.05
ANGLES	$\pm 1^\circ$

TITLE D-SUB CONN PANEL QUICK HD26P M CONN M PIN			
SCALE	SIZE	SHEET	OF
1:1	A4	1	1
REV.	WC-REV.	ϕ : Inspection item	
B	A.2		

Amphenol LTW
安費諾亮泰企業股份有限公司

ITEM NO.	HDB-26PMMP-QA8001
DWG NO.	HDB-26PMMP-QA8001
CUSTOMER	ALTW

DRAWN BY	Di_lu
CHECKED BY	Mafei
APPROVED BY	Victor

DATE	2013/09/02
DATE	2013/09/02
DATE	2013/09/02