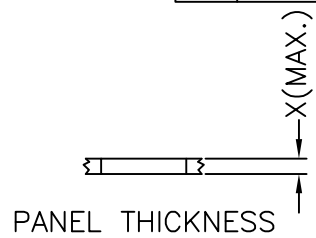
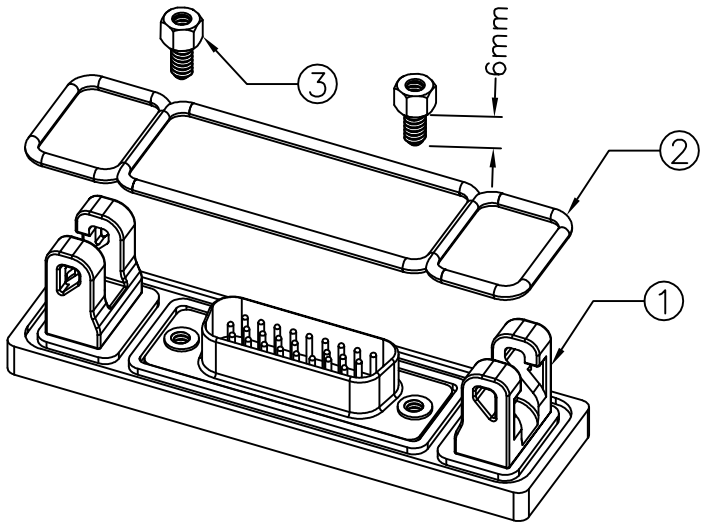
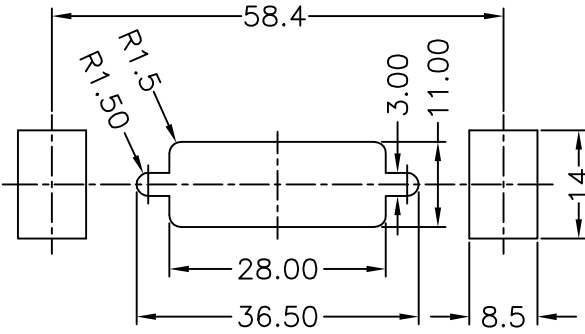
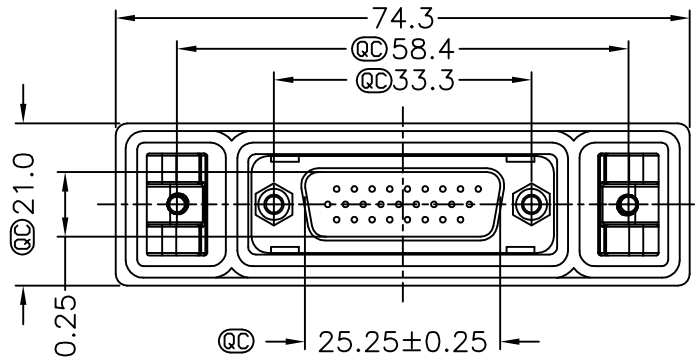
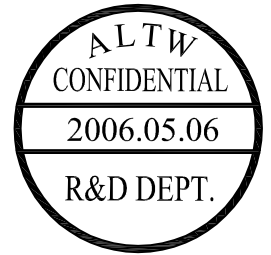
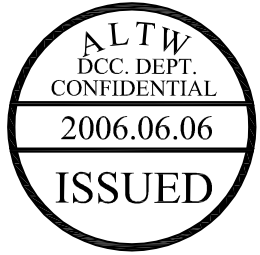


REV.	ECN NO.	DATE	SIGN	DESCRIPTION

THIS DOCUMENT IS SUBJECT TO CHANGE WITHOUT NOTICE. IT IS CONFIDENTIAL AND A PROPERTY OF AMPHENOL LTW. DISCLOSURE TO THIRD PARTY HAS TO BE AUTHORIZED BY AMPHENOL LTW.



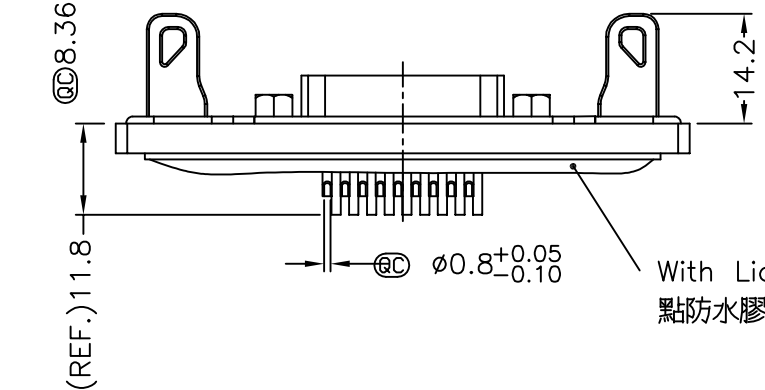
Screw L=6.0 For Panel Thickness Between 1.2~2.0mm



RECOMMENDED PANEL CUT-OUT

NOTE:

- * @C Important Dimension.
- * Waterproof Rate : IP68
IP68:1M of depth of water 24 hours
- * Applicable Wire Range: 24AWG-28AWG
- * Materials:
Panel : Zinc
Panel Link : Zinc
Screw : Stainless,#4-40 UNC
O-Ring : Silicone , Black
Insulator : PBT
Shell : Cold Rolled Steel
Contact : Copper Alloy
Nut : Copper Alloy
- * Finish:
Panel : Nickel Plated
Panel Link : Nickel Plated
Nut : Nickel Plated
Shell : Nickel Plated
Contact : Gold Flash



With Liquid Glue
點防水膠

UNIT:mm	
TOLERANCE	
.X	±0.25
.XX	±0.1
.XXX	±0.05
ANGLES	±1°

TITLE		D-SUB CONN	
PANEL QUICK HD26P M CONN M PIN			
SCALE	Free	SHEET	1 OF 1
REV.	A	SIZE	A4
		@C : Inspection Item	

Amphenol LTW
安費諾亮泰企業股份有限公司

ITEM NO	HDB-26PMMS-QL8001
DWG NO	HDB-26PMMS-QL8001
CUSTOMER	ALTW

DRAWN BY	Erick Moscoso
CHECKED BY	Alan MJ Sundo
APPROVED BY	Simon Hung

DATE	2006/05/06
DATE	2006/05/11
DATE	2006/05/19