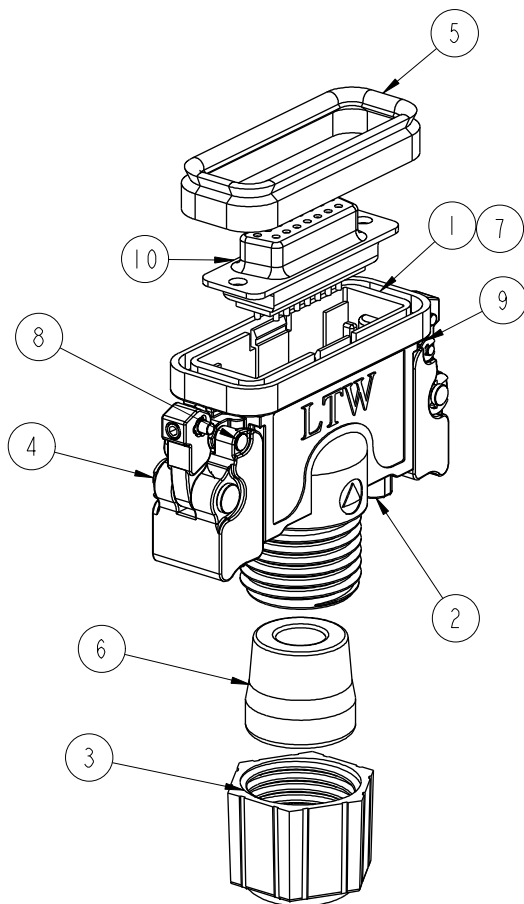
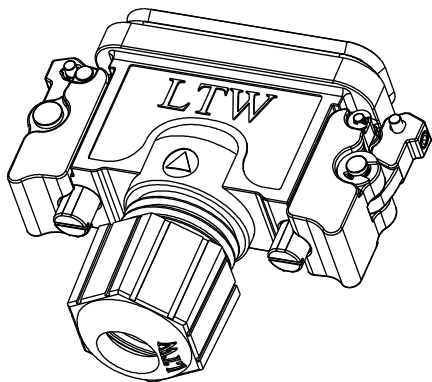
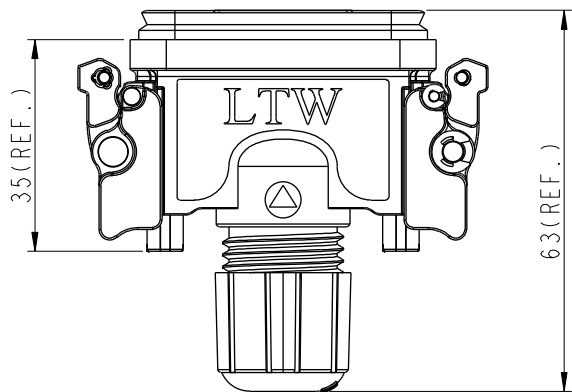
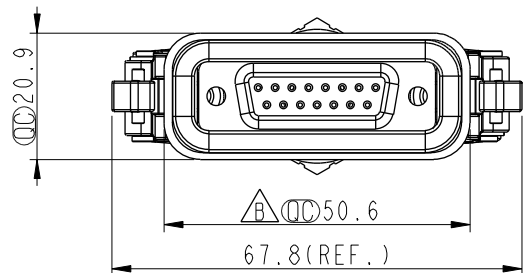


REV.	ECN NO.	DATE	SIGN	DESCRIPTION
A		2006/04/28	DAVID	Released Rev.A
B	LEN1350062	2013/04/24	Ruru	Modify Dimension 50.7 To 50.6



ALTW
CONFIDENTIAL
2013-04-24
R&D DEPT.

ALTW
DCC. DEPT.
CONFIDENTIAL
2013.05.07
ISSUED

Notes:

- * \varnothing Important Dimension.
- * Waterproof Rate : IP67
IP67:IM of depth of water 30 Min.
- * Core Color:Black
- * Applicable Wire Range: 22AWG-26AWG
- * Materials:
Gasket : Silicone,Black
Seal : Silicone,Black
Insulator : PBT
Contact : Copper Alloy
Body : Zinc
Screw : Stainless
Aixs and Buckle : Stainless
- * Finishes:
Body : Nickel Plated
Shell : Nickel Plated
Contact : Gold Flash
- \triangle * Cable OD Max: $\varnothing 6.0\text{mm}-\varnothing 8.0\text{mm}$

UNIT:mm		TITLE D-SUB CONN ASSY QUICK DB15P F CONN F PIN		
± 0.5 mm		SCALE 4:5	SIZE A4	SHEET 1 OF 1
		REV. B	WC-REV. A.2	\varnothing : Inspection item

Amphenol LTW
安費諾亮泰企業股份有限公司

ITEM NO SDB-15BFFA-QL7001	DRAWN BY Ruru	DATE 2013-05-06
DWG NO SDB-15BFFA-QL7001	CHECKED BY Rita	DATE 2013-05-06
CUSTOMER ALTW	APPROVED BY Maslow	DATE 2013-05-06

THIS DOCUMENT IS SUBJECT TO CHANGE WITHOUT NOTICE. IT IS CONFIDENTIAL AND A PROPERTY OF AMPHENOL LTW. DISCLOSURE TO THIRD PARTY HAS TO BE AUTHORIZED BY AMPHENOL LTW.