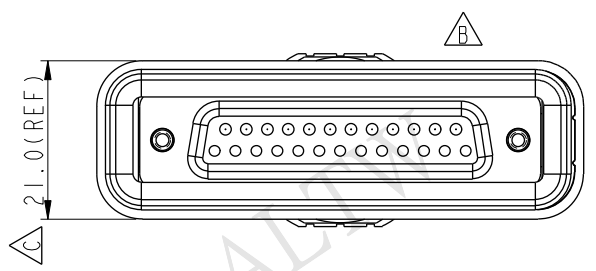
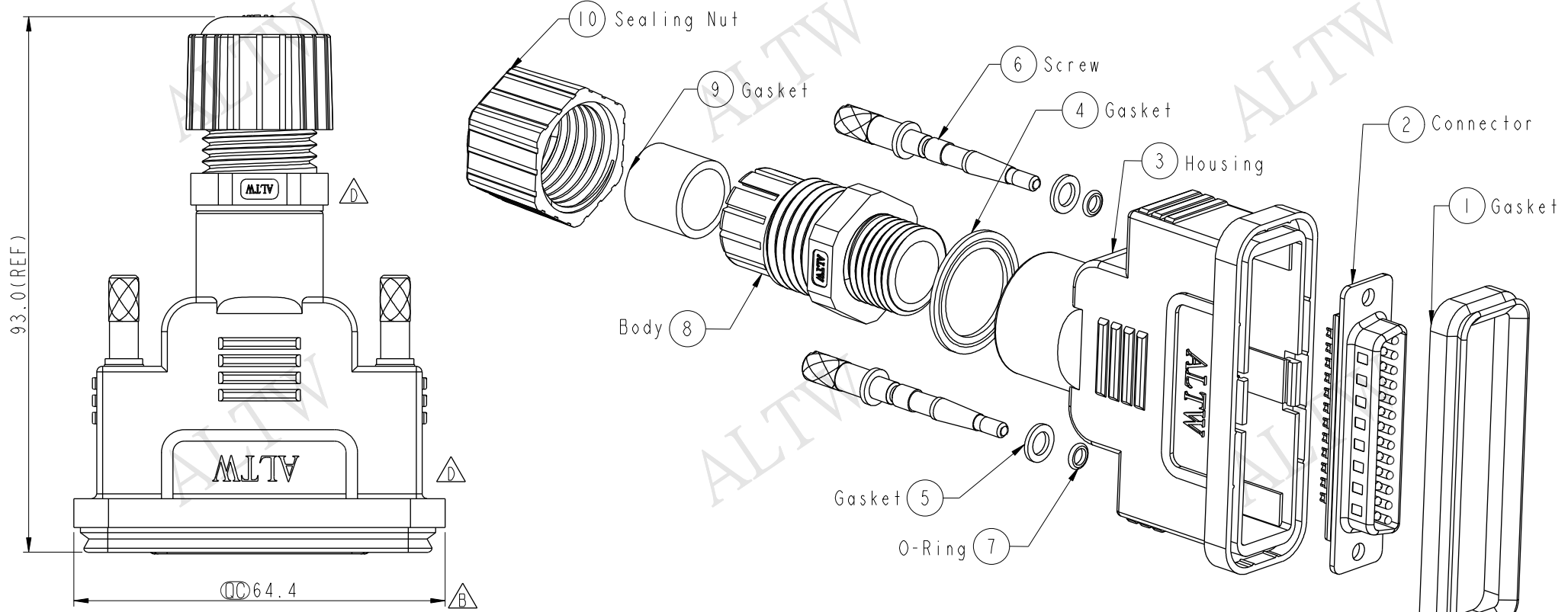


THIS DOCUMENT IS SUBJECT TO CHANGE WITHOUT NOTICE. IT IS CONFIDENTIAL AND A PROPERTY OF AMPHENOL LTW. DISCLOSURE TO THIRD PARTY HAS TO BE AUTHORIZED BY AMPHENOL LTW.

REV.	ECN NO.	DATE	SIGN	DESCRIPTION
B	LEN-990008	2009/09/04	Li Xiu Zhi	Change 64.5 to 64.4
C	LEN1160165	2011/05/11	Jiang Jun Hua	Change 21.0 To 21.0(Ref)
D	LEN1530176	2014/12/18	Ruru	Change Logo



ALTW
 CONFIDENTIAL
 2014-12-18
 R&D DEPT.

ALTW
 DCC. DEPT.
 CONFIDENTIAL
 2015.03.17
 ISSUED

- Note:
- * Ⓞ Important Dimension
 - * Waterproof Rate: IP67
 - * Connector: D-SUB 25Pin Male
 - * Sealing Nut: Nylon, Black
 - * Seals For Cable OD: $\varnothing 6.0\text{mm} \sim \varnothing 10.0\text{mm}$
 - * One Set Unassembled in One PE Bag

UNIT: mm		TITLE		ITEM NO.	DRAWN BY	DATE
		D-SUB Conn Assy Screw DB25Pin M Conn. M Pin		SDB-25BMMA-SL7001	Ruru	2014-12-18
TOLERANCE		SCALE	SIZE	SHEET	CHECKED BY	DATE
.X ± 0.25		1:1	A4	1 OF 1	Rita	2014-12-18
.XX ± 0.1		REV.	WC-REV.		APPROVED BY	DATE
.XXX ± 0.05		D	A.2		Win	2014-12-18
ANGLES $\pm 1^\circ$		Inspection item		CUSTOMER		
				ALTW		

Amphenol LTW
 安費諾亮泰企業股份有限公司