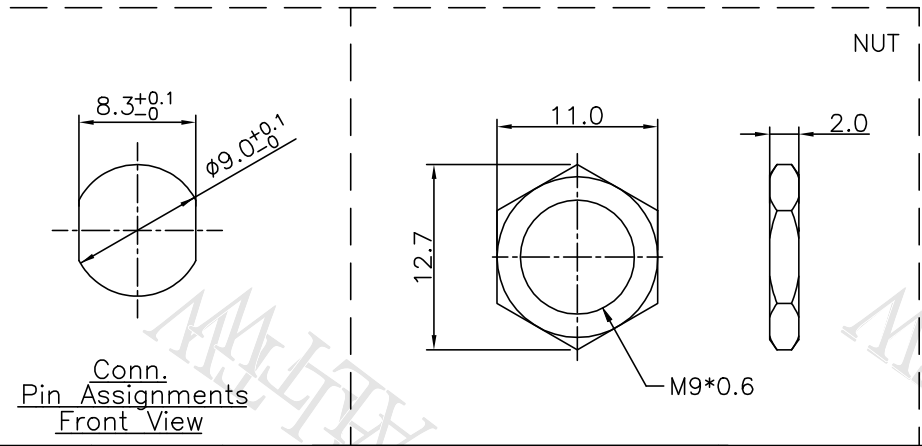
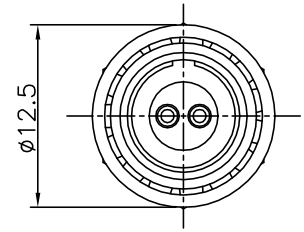
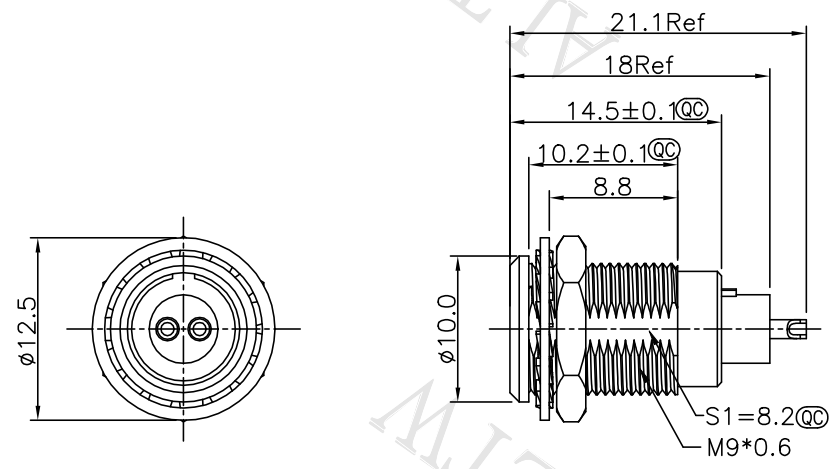
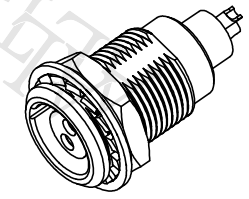


REV.	DESCRIPTION
B	Change Number

THIS DOCUMENT IS SUBJECT TO CHANGE WITHOUT NOTICE. IT IS CONFIDENTIAL AND A PROPERTY OF Amphenol LTW. DISCLOSURE TO THIRD PARTY HAS TO BE AUTHORIZED BY Amphenol LTW.



- Notes:
- * @@ Important Dimensions To Check.
 - * Female Pin: Copper Alloy, Gold Plated.
 - * Use Panel Thickness Max: 6.0mm



UNIT:mm TOLERANCE ±0.5MM	TITLE FLO 0B PANEL CONNECTOR		Amphenol LTW 安費諾亮泰企業股份有限公司	ITEM NO	DRAWN BY Ouyang	DATE 2018/09/06
	SCALE Free	SHEET 1 OF 2		DWG NO FLBB-XXEGFS-XCP-XXX	CHECKED BY Mafei	DATE 2018/09/06
	REV. B	SIZE A4		CUSTOMER ALTW	APPROVED BY Jerry	DATE 2018/09/06
@ : Inspection Item						

THIS DOCUMENT IS SUBJECT TO CHANGE WITHOUT NOTICE. IT IS CONFIDENTIAL AND A PROPERTY OF Amphenol LTW. DISCLOSURE TO THIRD PARTY HAS TO BE AUTHORIZED BY Amphenol LTW.

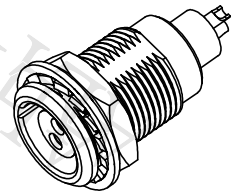
FLBB-XXEGFS-XCP-XXX

SERIAL NO.

KEY POINT ①

PIN CONFIGURATION ②

SIZE(CONNECTOR)



KEY POINT ①

CODE	G	A	B	C	J	F
GRAPHIC	0° 	30° 	60° 	90° 	45° 	155°

PIN CONFIGURATION (Solder Definition) ②

GRAPHIC	 2 PIN	 3 PIN	 4 PIN	 5 PIN	 6 PIN	 7 PIN	 9 PIN
---------	-----------	-----------	-----------	-----------	-----------	-----------	-----------

UNIT:mm	
TOLERANCE	
±0.5MM	

TITLE FLO 0B PANEL CONNECTOR		
SCALE Free	SHEET 2 OF 2	
REV. B	SIZE A4	QC :Inspection Item

Amphenol LTW
安費諾亮泰企業股份有限公司

ITEM NO	
DWG NO FLBB-XXEGFS-XCP-XXX	CUSTOMER ALTW

DRAWN BY Ouyang	DATE 2019/02/25
CHECKED BY Mafei	DATE 2019/02/25
APPROVED BY Jerry	DATE 2019/02/25

DATE 2019/02/25
DATE 2019/02/25
DATE 2019/02/25