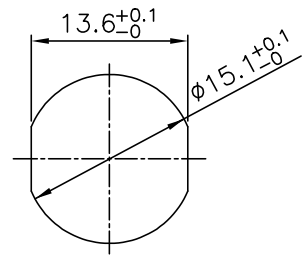
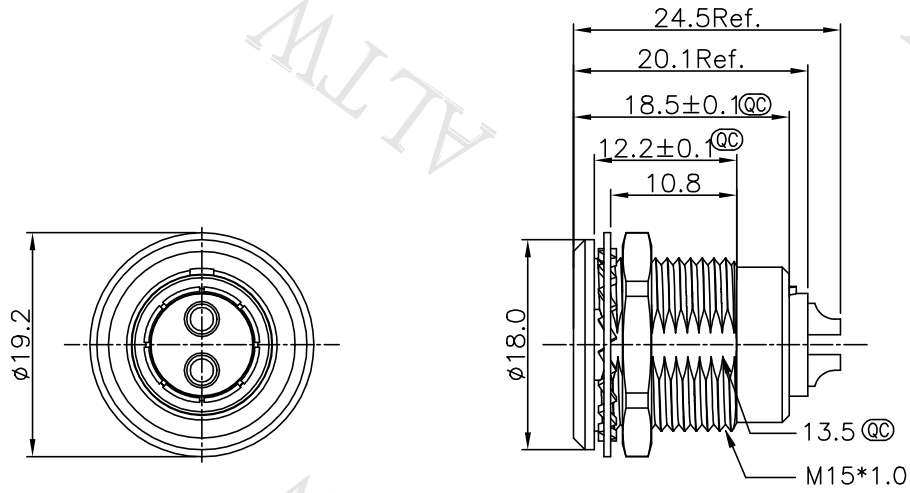
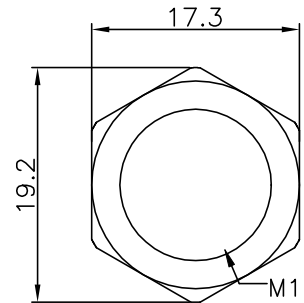


REV.	DESCRIPTION
B	Change Number
C	Change PIN Number

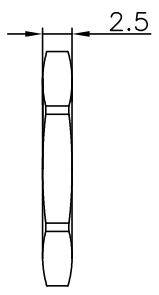
THIS DOCUMENT IS SUBJECT TO CHANGE WITHOUT NOTICE. IT IS CONFIDENTIAL AND A PROPERTY OF Amphenol LTW. DISCLOSURE TO THIRD PARTY HAS TO BE AUTHORIZED BY Amphenol LTW.



Conn.  
Pin Assignments  
Front View



NUT

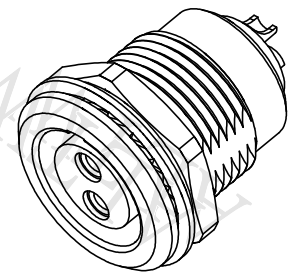
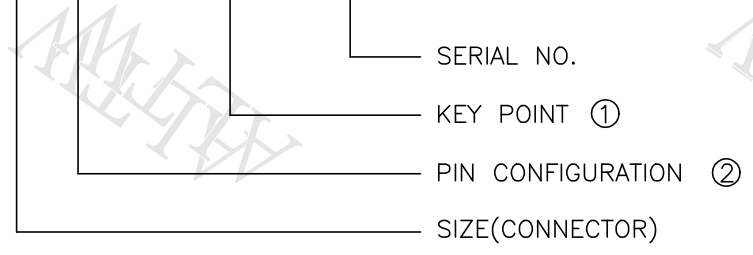


- Notes:
- \* Ⓞ Important Dimensions To Check.
  - \* Female Pin: Copper Alloy, Gold Plated.
  - \* Use Panel Thickness Max: 7.0mm

A	UNIT:mm	TITLE FLO 2B PANEL CONNECTOR		<b>Amphenol LTW</b> 安費諾亮泰企業股份有限公司	ITEM NO	DRAWN BY	DATE
	TOLERANCE	SCALE	SHEET		FLBBD-XXEGFS-XCP-XXX	Ouyang	2019/04/26
	±0.5MM	Free	1 OF 2		CHECKED BY	Mafei	2019/04/26
	REV. C	SIZE A4	QC : Inspection Item	CUSTOMER	APPROVED BY	Jerry	DATE
					ALTW		2019/04/26

THIS DOCUMENT IS SUBJECT TO CHANGE WITHOUT NOTICE. IT IS CONFIDENTIAL AND A PROPERTY OF AMPHENOL LTW. DISCLOSURE TO THIRD PARTY HAS TO BE AUTHORIZED BY AMPHENOL LTW.

FLBD-XXEGFS-XCP-XXX



KEY POINT ①

CODE	G	A	B	C	J	F
GRAPHIC	0°	30°	60°	90°	45°	155°

PIN CONFIGURATION (Solder Definition)②

GRAPHIC							
	2 PIN	3 PIN	4 PIN	5 PIN	6 PIN	7 PIN	
	8 PIN	10 PIN	12 PIN	14 PIN	16 PIN	18 PIN	19 PIN

UNIT:mm	
TOLERANCE	±0.5MM

TITLE		FLO 2B PANEL CONNECTOR	
SCALE	Free	SHEET	2 OF 2
REV. C	SIZE A4	QC :Inspection Item	

**Amphenol LTW**  
安費諾亮泰企業股份有限公司

ITEM NO	
DWG NO	FLBD-XXEGFS-XCP-XXX
CUSTOMER	ALTW

DRAWN BY	Ouyang
CHECKED BY	Mafei
APPROVED BY	Jerry

DATE	2019/04/26
DATE	2019/04/26
DATE	2019/04/26