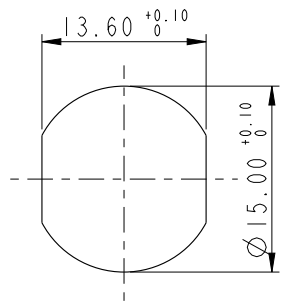
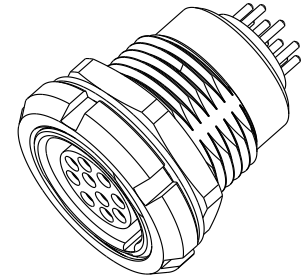
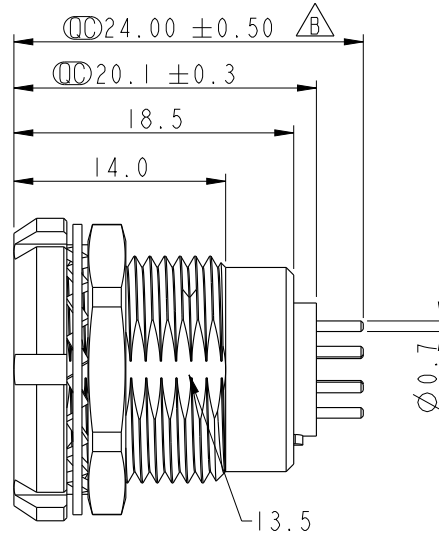
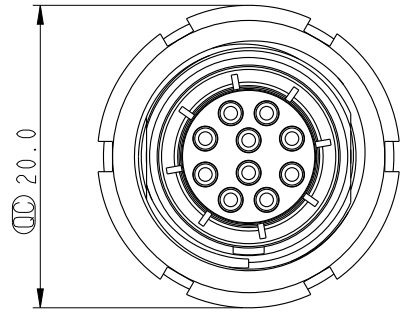
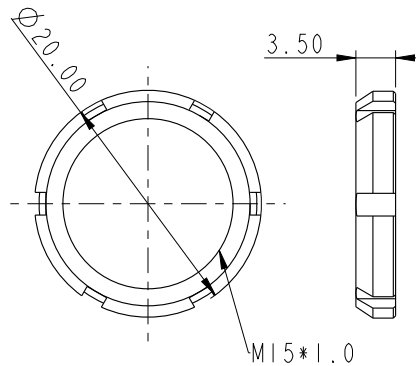


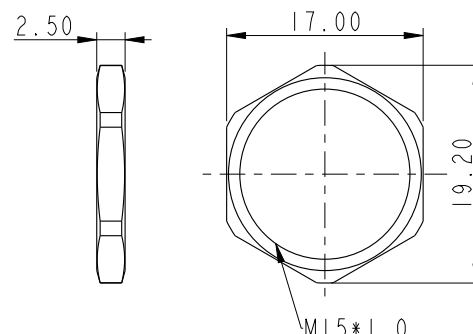
REV.	DESCRIPTION
B	chaneg drawing



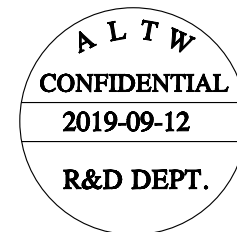
Recommended  
Panel Cut-Out  
Rear View



NUT-A



NUT-B



Notes:  
 \*  $\varnothing$  Important Dimensions To Check.  
 \* Female Pin: Copper Alloy, Gold Plated.  
 \* Use Panel Thickness Max: 4.5mm

UNIT: mm		
TOLERANCE	$\pm 0.5mm$	

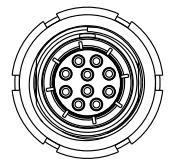
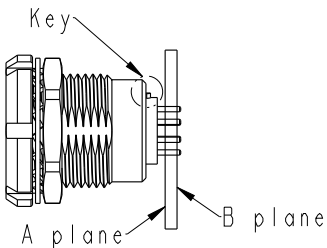
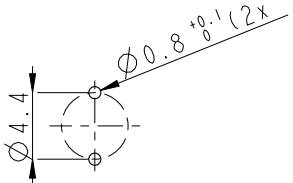
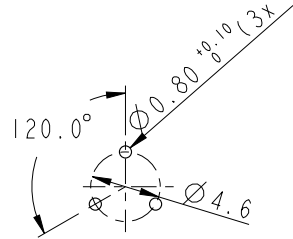
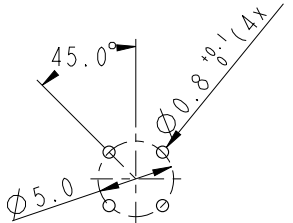
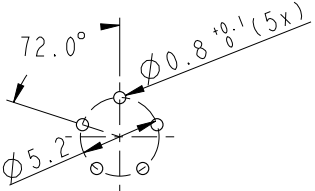
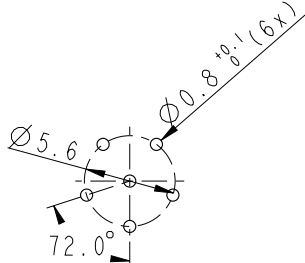
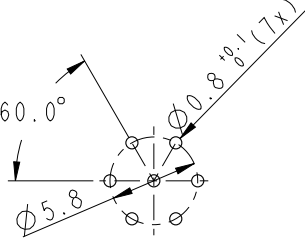
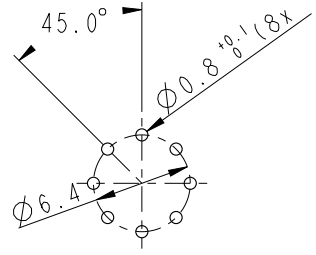
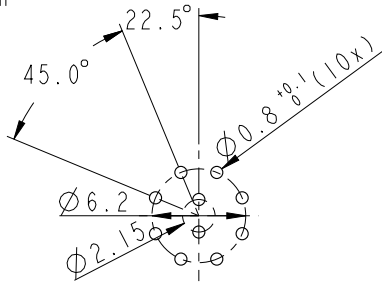
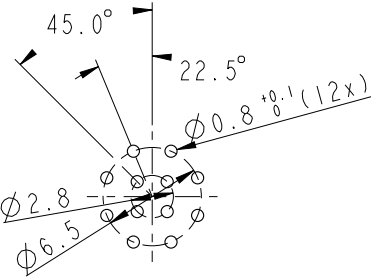
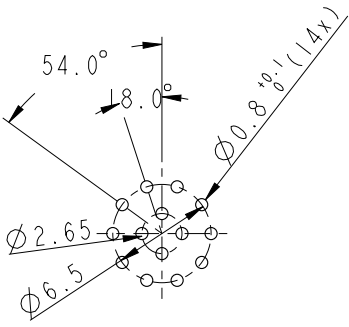
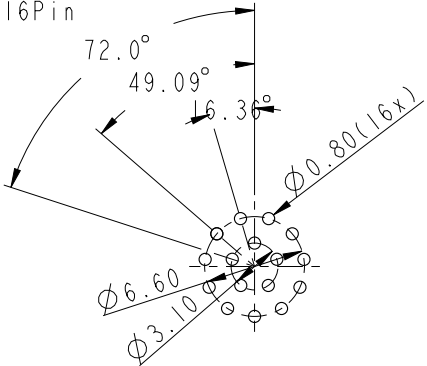
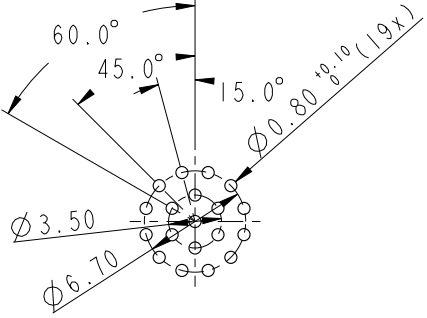
TITLE FLO 2B TWO NUT PANEL PCB CONNECTOR			
SCALE 1:1	SIZE A4	SHEET 1 OF 3	
REV. B	WC-REV. .0	$\varnothing$ : Inspection item	

**Amphenol LTW**  
 安費諾亮泰企業股份有限公司

ITEM NO	DRAWN BY Ouyang	DATE 2019-09-12
DWG NO FLBD-XXECP-XCP-XXX	CHECKED BY Jerry	DATE 2019-09-12
CUSTOMER ALTW	APPROVED BY Fred	DATE 2019-09-12

THIS DOCUMENT IS SUBJECT TO CHANGE WITHOUT NOTICE. IT IS CONFIDENTIAL AND A PROPERTY OF AMPHENOL LTW. DISCLOSURE TO THIRD PARTY HAS TO BE AUTHORIZED BY AMPHENOL LTW.

THIS DOCUMENT IS SUBJECT TO CHANGE WITHOUT NOTICE. IT IS CONFIDENTIAL AND A PROPERTY OF Amphenol LTW. DISCLOSURE TO THIRD PARTY HAS TO BE AUTHORIZED BY Amphenol LTW.

F E D C B A	<p>PCB Panel Cut-Out A plane</p> 			
	<p>2Pin</p> 	<p>3Pin</p> 	<p>4Pin</p> 	<p>5Pin</p> 
	<p>6Pin</p> 	<p>7Pin</p> 	<p>8Pin</p> 	<p>10Pin</p> 
	<p>12Pin</p> 	<p>14Pin</p> 	<p>16Pin</p> 	<p>19Pin</p> 

UNIT: mm		
TOLERANCE		
±0.5mm		

TITLE FLO 2B TWO NUT PANEL PCB CONNECTOR			
SCALE 1:1	SIZE A4	SHEET 2 OF 3	
REV. B	WC-REV. .0	☉: Inspection item	

**Amphenol LTW**  
安費諾亮泰企業股份有限公司

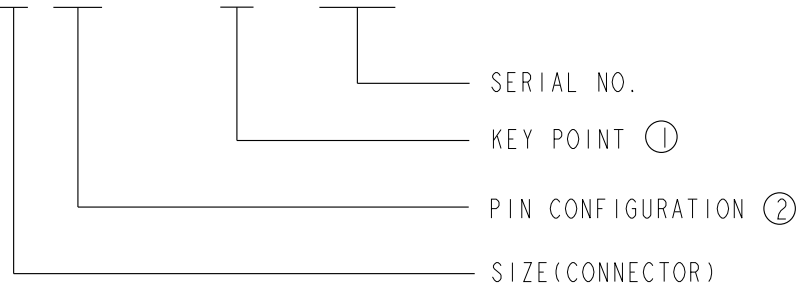
ITEM NO	DWG NO FLBD-XXECP-XCP-XXX
CUSTOMER ALTW	

DRAWN BY Ouyang	CHECKED BY Jerry
APPROVED BY Fred	

DATE 2019-09-12	DATE 2019-09-12
DATE 2019-09-12	

THIS DOCUMENT IS SUBJECT TO CHANGE WITHOUT NOTICE. IT IS CONFIDENTIAL AND A PROPERTY OF Amphenol LTW. DISCLOSURE TO THIRD PARTY HAS TO BE AUTHORIZED BY Amphenol LTW.

FLBD-XXECP-XCP-XXX



KEY POINT ①						
CODE	G	A	B	C	J	F
	0°	30°	45°	60°	37.5°	145°
GRAPHIC						

PIN CONFIGURATION (Solder Definition) ②

GRAPHIC							
	2 PIN	3 PIN	4 PIN	5 PIN	6 PIN	7 PIN	
GRAPHIC							
	8 PIN	10 PIN	12 PIN	14 PIN	16 PIN	18 PIN	19 PIN

UNIT: mm		
TOLERANCE	±0.5mm	

TITLE FLO 2B TWO NUT PANEL PCB CONNECTOR		
SCALE 1:1	SIZE A4	SHEET 3 OF 3
REV. B	WC-REV. .0	QC: Inspection item

**Amphenol LTW**  
安費諾亮泰企業股份有限公司

ITEM NO	DWG NO	CUSTOMER
	FLBD-XXECP-XCP-XXX	ALTW

DRAWN BY	CHECKED BY	APPROVED BY
Ouyang	Jerry	Fred

DATE	DATE	DATE
2019-09-12	2019-09-12	2019-09-12