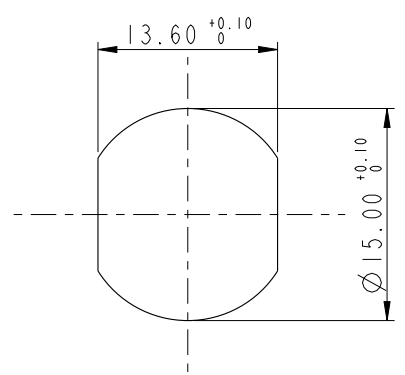
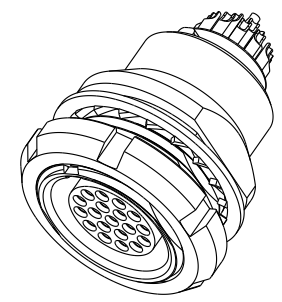
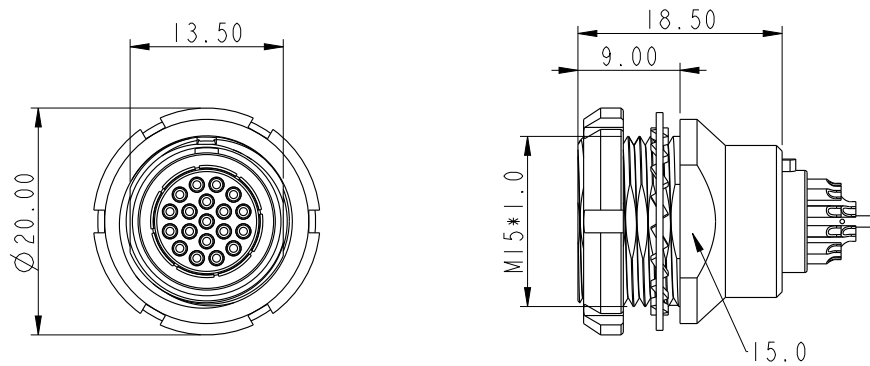
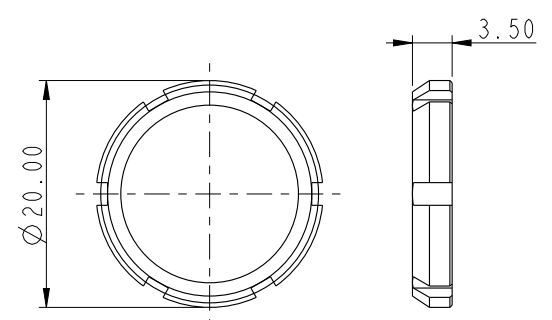


REV.	DESCRIPTION



Recommended
Panel Cut-Out
Rear View



NUT

ALTW
CONFIDENTIAL
2019-05-17
R&D DEPT.

- Notes:
- * \varnothing Important Dimensions To Check.
 - * Female Pin: Copper Alloy, Gold Plated.
 - * Use Panel Thickness Max: 4.0mm

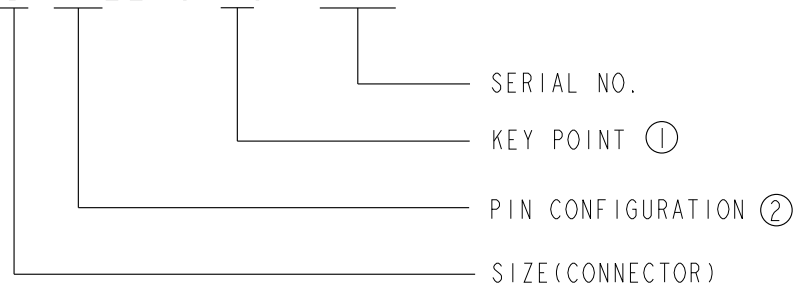
UNIT: mm TOLERANCE ± 0.5 mm	TITLE FLO 2B R PANEL CONNECTOR		Amphenol LTW 安費諾亮泰企業股份有限公司		ITEM NO	DRAWN BY Ouyang	DATE 2019-05-17
	SCALE 1:1	SIZE A4			SHEET 1 OF 2	DWG NO FLBD-XXEFS-XCP-XXX	CHECKED BY Jerry
	REV. A	WC-REV. A.1	\varnothing : Inspection item	CUSTOMER ALTW	APPROVED BY Fred	DATE 2019-05-17	

THIS DOCUMENT IS SUBJECT TO CHANGE WITHOUT NOTICE. IT IS CONFIDENTIAL AND A PROPERTY OF Amphenol LTW. DISCLOSURE TO THIRD PARTY HAS TO BE AUTHORIZED BY Amphenol LTW.

THIS DOCUMENT IS SUBJECT TO CHANGE WITHOUT NOTICE. IT IS CONFIDENTIAL AND A PROPERTY OF Amphenol LTW. DISCLOSURE TO THIRD PARTY HAS TO BE AUTHORIZED BY Amphenol LTW.

REV.	DESCRIPTION

FLBD-XXEFS-XCP-XXX



KEY POINT ①						
CODE	G	A	B	C	J	F
GRAPHIC	0°	30°	45°	60°	37.5°	145°

PIN CONFIGURATION (Solder Definition) ②

GRAPHIC							
	2 PIN	3 PIN	4 PIN	5 PIN	6 PIN	7 PIN	
GRAPHIC							
	8 PIN	10 PIN	12 PIN	14 PIN	16 PIN	18 PIN	19 PIN

UNIT: mm	
TOLERANCE	±0.5mm

TITLE FLO 2B R PANEL CONNECTOR			
SCALE 1:1	SIZE A4	SHEET 2 OF 2	
REV. A	WC-REV. A.1	QC: Inspection item	

Amphenol LTW
安費諾亮泰企業股份有限公司

ITEM NO	DWG NO
FLBD-XXEFS-XCP-XXX	ALTW

DRAWN BY	CHECKED BY
Ouyang	Jerry
APPROVED BY	Fred

DATE	DATE
2019-05-17	2019-05-17
DATE	DATE
2019-05-17	2019-05-17