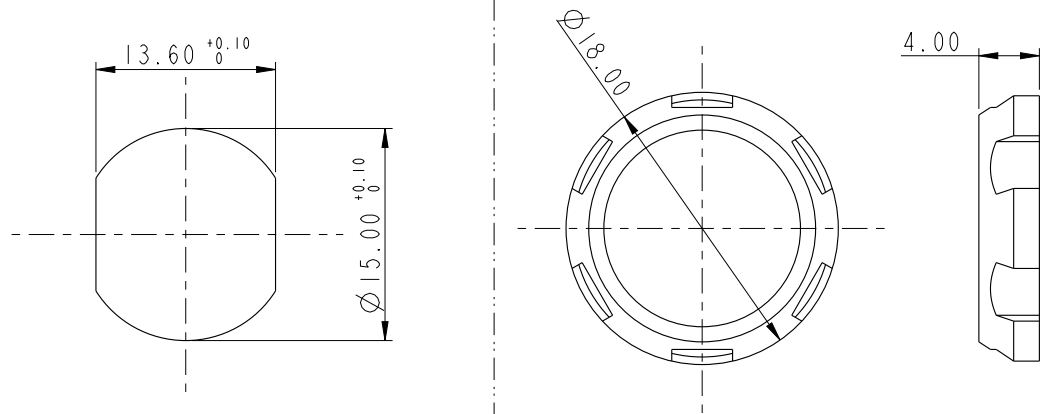
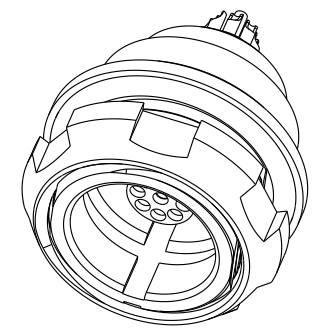
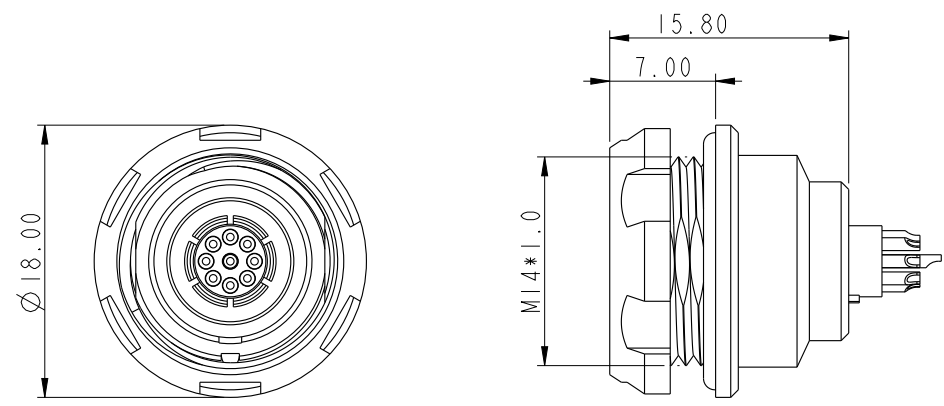
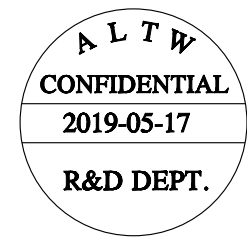


THIS DOCUMENT IS SUBJECT TO CHANGE WITHOUT NOTICE. IT IS CONFIDENTIAL AND A PROPERTY OF Amphenol LTW. DISCLOSURE TO THIRD PARTY HAS TO BE AUTHORIZED BY Amphenol LTW.

REV.	DESCRIPTION



Recommended  
Panel Cut-Out  
Rear View



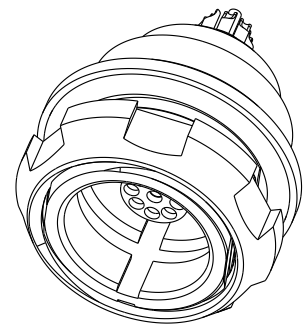
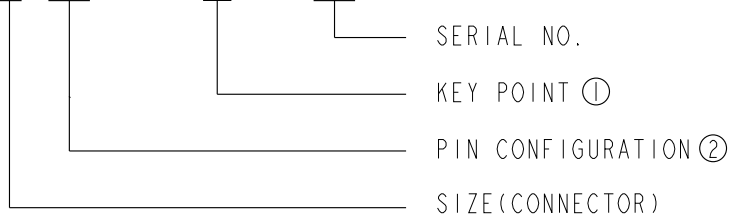
Notes:  
 \*  $\text{Ⓞ}$  Important Dimensions To Check.  
 \* Female Pin: Copper Alloy, Gold Plated.  
 \* Use Panel Thickness Max: 2.5mm

UNIT: mm TOLERANCE $\pm 0.5\text{mm}$	TITLE FLO OK R PANEL CONNECTOR			<h1>Amphenol LTW</h1> 安費諾亮泰企業股份有限公司	ITEM NO	DRAWN BY Ouyang	DATE 2019-05-17
	SCALE 1:1	SIZE A4	SHEET 1 OF 2		DWG NO FLKB-XXEFS-XCP-XXX	CHECKED BY Jerry	DATE 2019-05-17
	REV. A	WC-REV. A.1	$\text{Ⓞ}$ : Inspection item		CUSTOMER ALTW	APPROVED BY Fred	DATE 2019-05-17

THIS DOCUMENT IS SUBJECT TO CHANGE WITHOUT NOTICE. IT IS CONFIDENTIAL AND A PROPERTY OF Amphenol LTW. DISCLOSURE TO THIRD PARTY HAS TO BE AUTHORIZED BY Amphenol LTW.

REV.	DESCRIPTION

FLKB-XXEFS-XCP-XXX



KEY POINT					
CODE ①	G	A	B	C	D
	0°	30°	45°	60°	95°
GRAPHIC					

PIN CONFIGURATION (Solder Definition) ②							
GRAPHIC							
	2 PIN	3 PIN	4 PIN	5 PIN	6 PIN	7 PIN	9 PIN

UNIT: mm TOLERANCE ±0.5mm	 TITLE FLO OK R PANEL CONNECTOR	<b>Amphenol LTW</b> 安費諾亮泰企業股份有限公司		ITEM NO	DRAWN BY	DATE	
				DWG NO FLKB-XXEFS-XCP-XXX	CHECKED BY Jerry	DATE 2019-05-17	
				CUSTOMER ALTW	APPROVED BY Fred	DATE 2019-05-17	
SCALE 1:1	SIZE A4	SHEET 2 OF 2	REV. A	WC-REV. A.1	Inspection item		