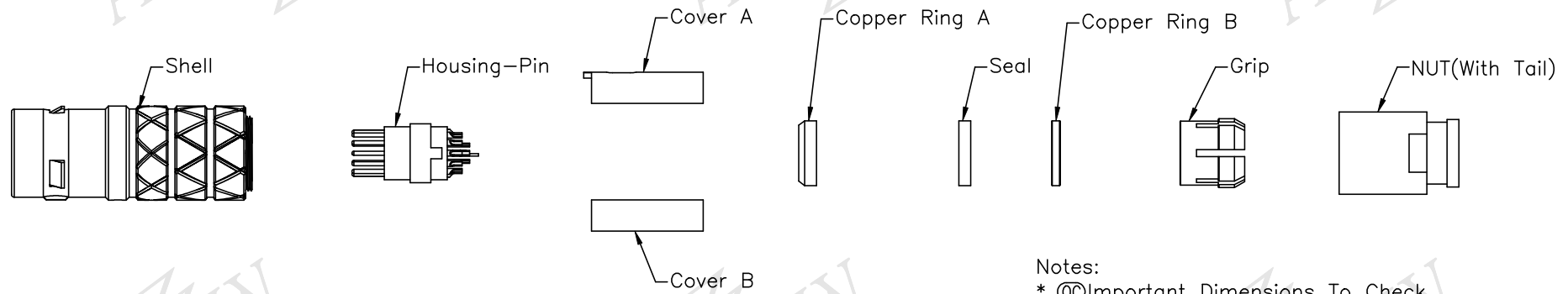
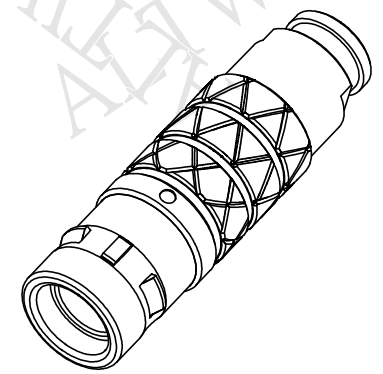
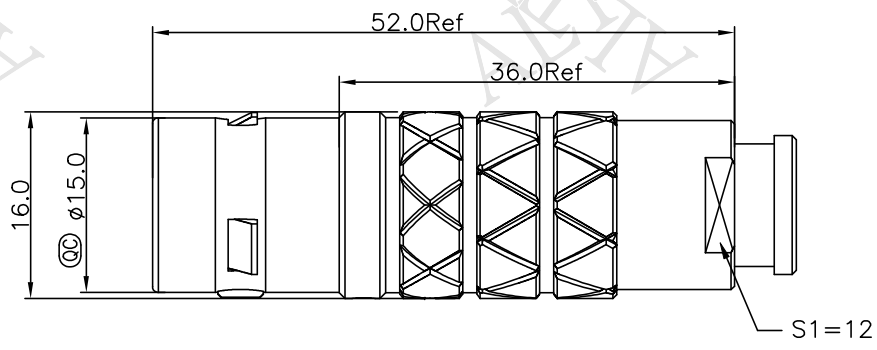


REV.	DESCRIPTION
B	Change Number
C	Change PIN Number

THIS DOCUMENT IS SUBJECT TO CHANGE WITHOUT NOTICE. IT IS CONFIDENTIAL AND A PROPERTY OF Amphenol LTW. DISCLOSURE TO THIRD PARTY HAS TO BE AUTHORIZED BY Amphenol LTW.



- Notes:
- * \textcircled{Q} Important Dimensions To Check.
 - * Waterproof Rate: IP68
(Mated, by Applying O-ring and Potting Material)
 - * Male Pin: Copper Alloy, Gold Plated.

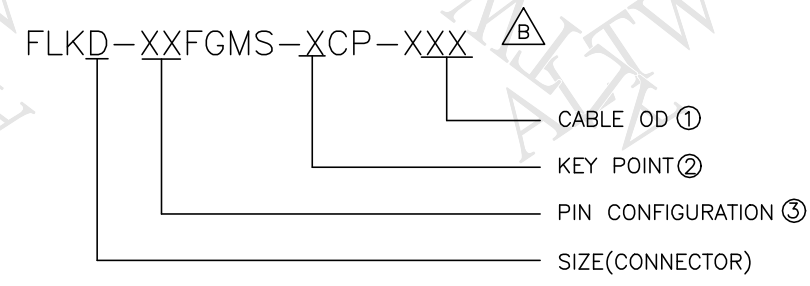


A	UNIT:mm		TITLE		Amphenol LTW 安費諾亮泰企業股份有限公司	ITEM NO	DRAWN BY	DATE
	TOLERANCE		SCALE	SHEET		DWG NO	CHECKED BY	DATE
	±0.5MM		Free	1 OF 2		FLKD-XXFGMS-XCP-XXX	Mafei	2019/04/26
1	REV. C	SIZE A4	\textcircled{Q} :Inspection Item	CUSTOMER	APPROVED BY	DATE	8WI0814-03-表單01A2	
2	3	4	5	6	7	8		

THIS DOCUMENT IS SUBJECT TO CHANGE WITHOUT NOTICE. IT IS CONFIDENTIAL AND A PROPERTY OF Amphenol LTW. DISCLOSURE TO THIRD PARTY HAS TO BE AUTHORIZED BY Amphenol LTW.

1 2 3 4 5 6 7 8

2K-SERIES CABLE COLLET(CABLE OD)			
CABLE CLAMP SET		CABLE DIA RANGE	
TYPE	CODE ①	MAX	MIN
FLKD-XXFGMS-XCP-XXX △B	215	6.7	6.5
	217	7.7	7.5
	218	8.7	8.5
	--	--	--



KEY POINT					
CODE ②	G	A	B	C	D
	0°	30°	45°	60°	95°
GRAPHIC					

PIN CONFIGURATION (Solder Definition) △C							
GRAPHIC							
	2 PIN	3 PIN	4 PIN	5 PIN	6 PIN	7 PIN	
GRAPHIC							
	8 PIN	10 PIN	12 PIN	14 PIN	16 PIN	18 PIN	19 PIN

UNIT:mm	TITLE FLO 2K FI CONNECTOR		Amphenol LTW		ITEM NO	DRAWN BY Ouyang	DATE 2019/04/26
TOLERANCE ±0.5MM	SCALE Free	SHEET 2 OF 2	安費諾亮泰企業股份有限公司		DWG NO FLKD-XXFGMS-XCP-XXX	CHECKED BY Mafei	DATE 2019/04/26
REV. C	SIZE A4	QC :Inspection Item			CUSTOMER ALTW	APPROVED BY Jerry	DATE 2019/04/26

1 2 3 4 5 6 7 8 WIOB14-03-表單01A2