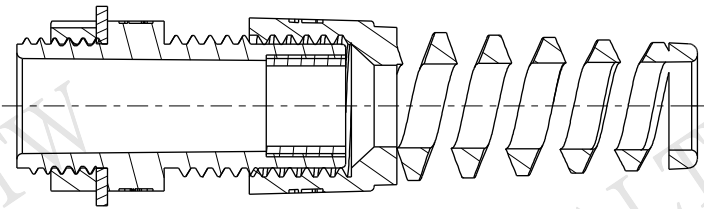
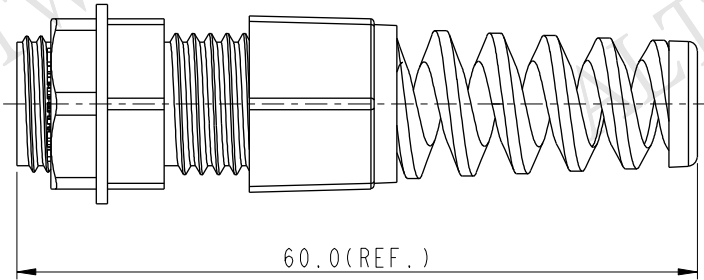
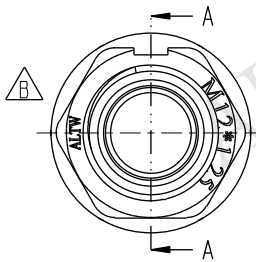
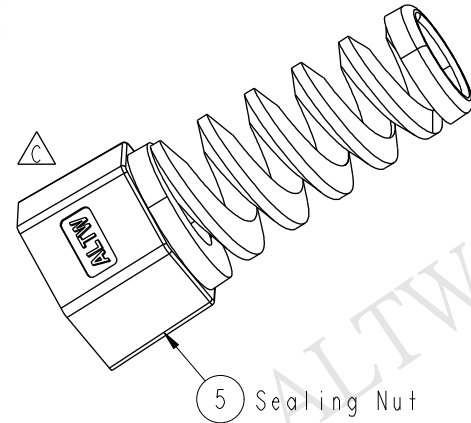


REV.	ECN NO.	DATE	SIGN	DESCRIPTION
B	LEN1510682	2015/01/16	Ruru	Change Logo
C	LEN1660679	2016/06/08	Vicky	Update Logo



Section A-A

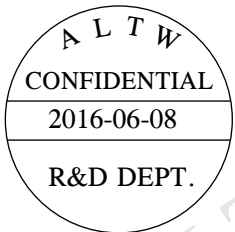


- ④ Seals
- ⑤ Sealing Nut

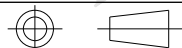
- ① Nut
- ② Gasket
- ③ Clamp Ring

Note:

- \* Waterproof Rate: IP68
- \* Screw Nut: Nylon, Black
- \* Clamp Ring: Nylon, Black
- \* Sealing Nut: Nylon, Black
- \* Gasket: EPDM, Black
- \* Seals: EPDM, Black
- \* Panel Thickness: 3mm
- \* Cable Range:  $\varnothing 4.5\text{mm}-\varnothing 6.5\text{mm}$



UNIT: mm



TOLERANCE  
 .X  $\pm 0.25$   
 .XX  $\pm 0.1$   
 .XXX  $\pm 0.05$   
 ANGLES  $\pm 1^\circ$

TITLE MI2 Cable Gland With SR			
SCALE 3:2	SIZE A4	SHEET 1 OF 1	
REV. C	WC-REV. A.3	QC: Inspection item	

**Amphenol LTW**  
 安費諾亮泰企業股份有限公司

ITEM NO. CSG-12M003	DRAWN BY Vicky	DATE 2016-06-08
DWG NO. CSG-12M003	CHECKED BY Rita	DATE 2016-06-08
CUSTOMER ALTW	APPROVED BY Lisa	DATE 2016-06-08

THIS DOCUMENT IS SUBJECT TO CHANGE WITHOUT NOTICE. IT IS CONFIDENTIAL AND A PROPERTY OF Amphenol LTW. DISCLOSURE TO THIRD PARTY HAS TO BE AUTHORIZED BY Amphenol LTW.