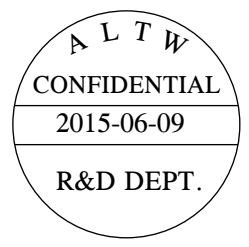
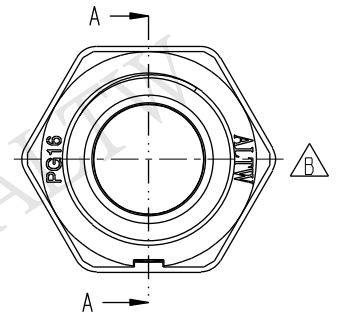
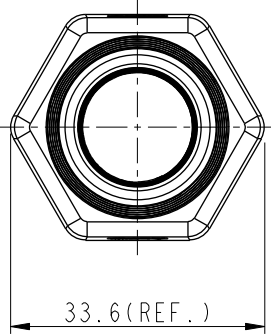
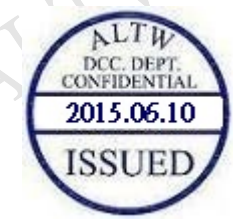
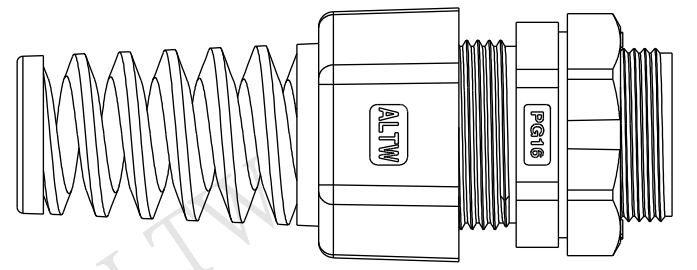
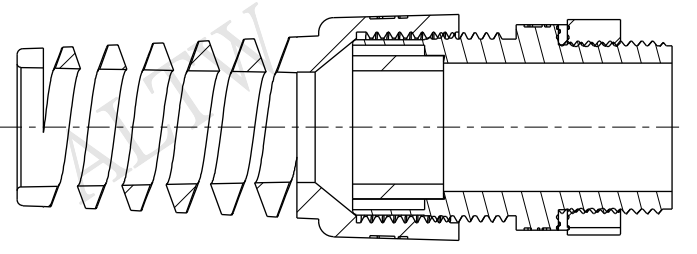
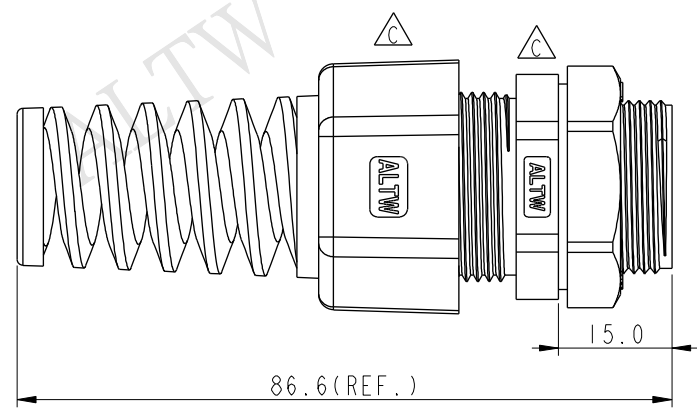
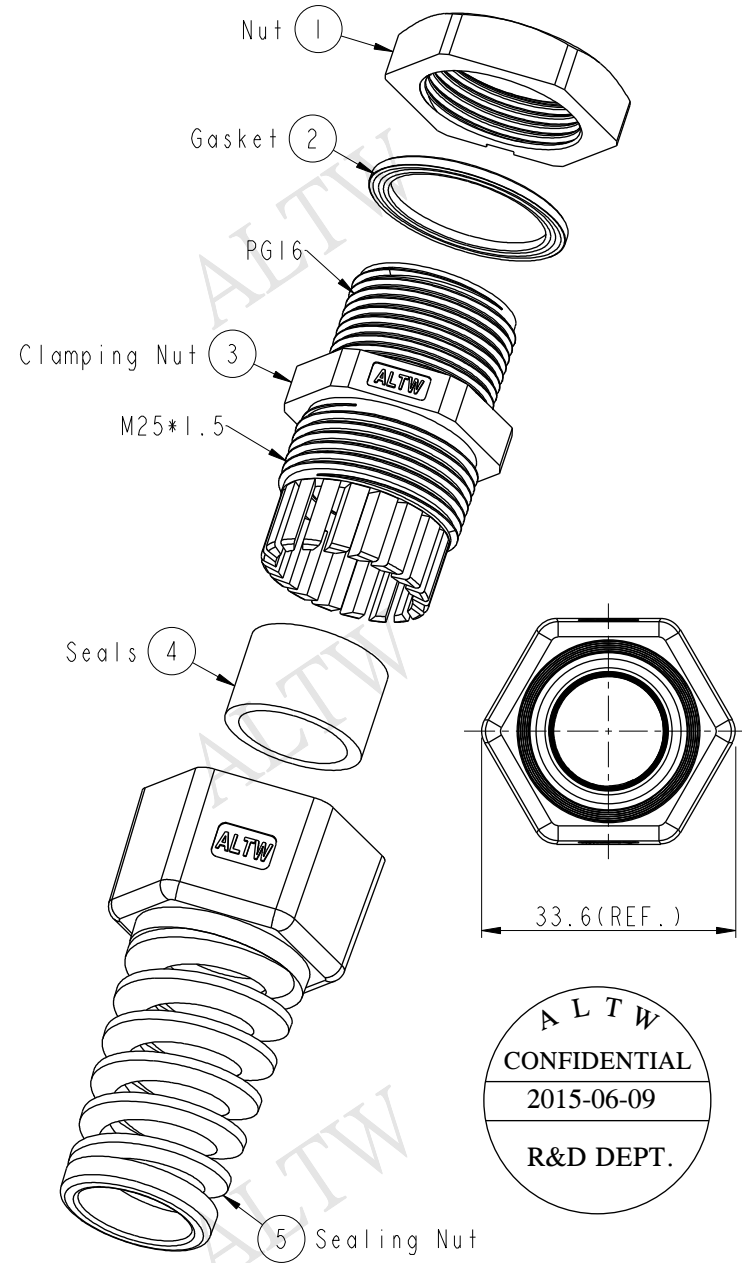


THIS DOCUMENT IS SUBJECT TO CHANGE WITHOUT NOTICE. IT IS CONFIDENTIAL AND A PROPERTY OF Amphenol LTW. DISCLOSURE TO THIRD PARTY HAS TO BE AUTHORIZED BY Amphenol LTW.

REV.	ECN NO.	DATE	SIGN	DESCRIPTION
B	LEN14C0287	2014/12/03	Ruru	Change Nut Logo
C	LEN1560089	2015/05/11	Ruru	Change Logo



- Note:
- \* Waterproof Rate: IP68
  - \* Screw Nut: Nylon, Black
  - \* Clamp Ring: Nylon, Black
  - \* Sealing Nut: Nylon, Black
  - \* Gasket: EPDM, Black
  - \* Seals: EPDM, Black
  - \* Cable Range:  $\varnothing 10.0 \sim \varnothing 14.0$ mm
  - \* For Panel Thickness: 6.0mm max
  - \* Spanner Size:
    - Body: 27.2mm
    - Sealing Nut: 29.9mm
    - Screw Nut: 28.5mm

UNIT: mm		
TOLERANCE	.X $\pm 0.25$	.XX $\pm 0.1$
	.XXX $\pm 0.05$	ANGLES $\pm 1^\circ$

TITLE Cable Gland for PG16 W/R, Black (Long)		
SCALE 1:1	SIZE A4	SHEET 1 OF 1
REV. C	WC-REV. A.1	Inspection item

**Amphenol LTW**  
安費諾亮泰企業股份有限公司

ITEM NO CSG-16G003	DRAWN BY Ruru	DATE 2015-05-11
DWG NO CSG-16G003	CHECKED BY Rita	DATE 2015-05-11
CUSTOMER ALTW	APPROVED BY Lion	DATE 2015-05-11